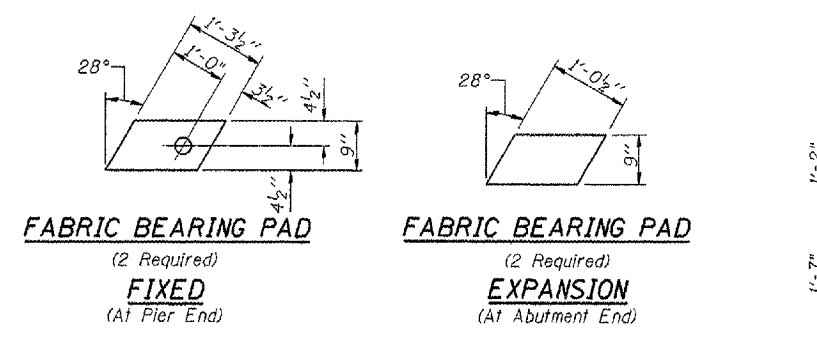


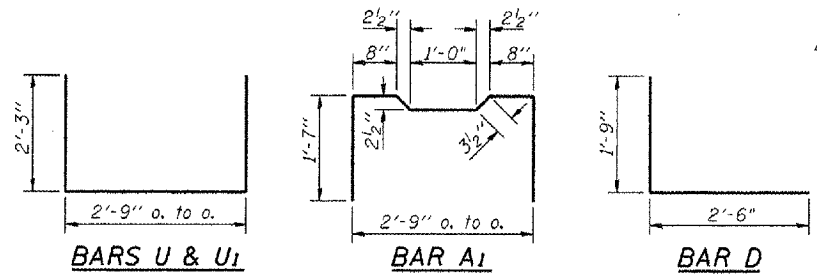
CONTRACT NO. 68456			
F.A.P. RTE. 317	SECTION (45BR)	COUNTY PEORIA	TOTAL SHEETS 82 SHEET NO. 50
STA. TO STA.		FED. AID PROJECT	

SHEET NO. 8 OF 12 SHEETS



FABRIC BEARING PAD
(2 Required)
FIXED
(At Pier End)

FABRIC BEARING PAD
(2 Required)
EXPANSION
(At Abutment End)



BARS U & U1

BAR A1

BAR D

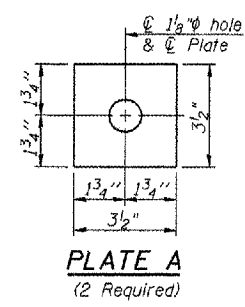
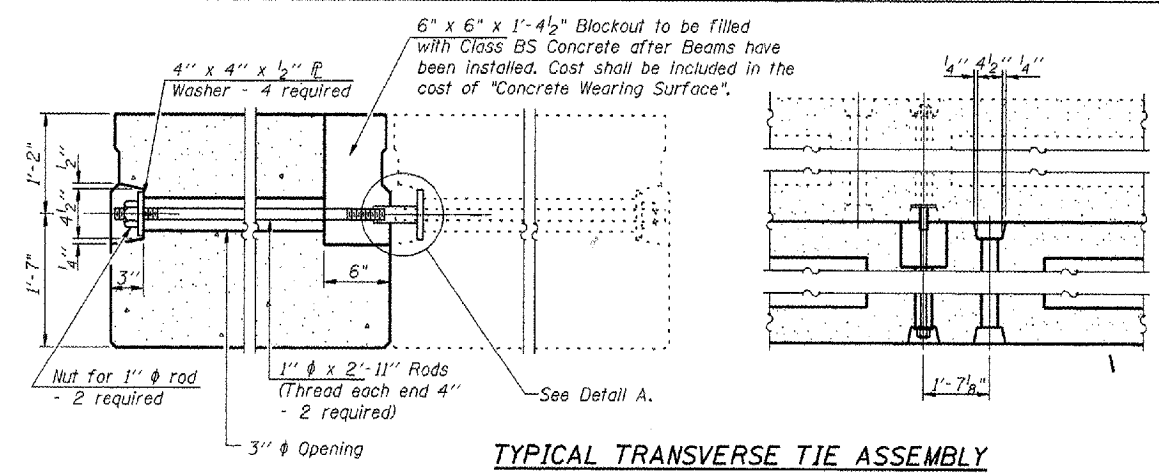
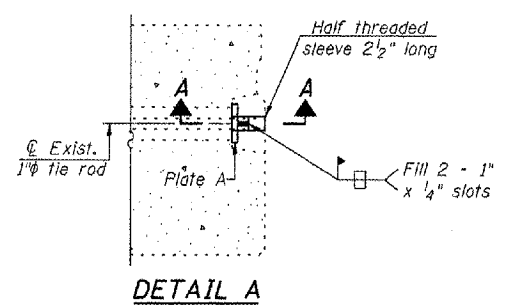


PLATE A
(2 Required)

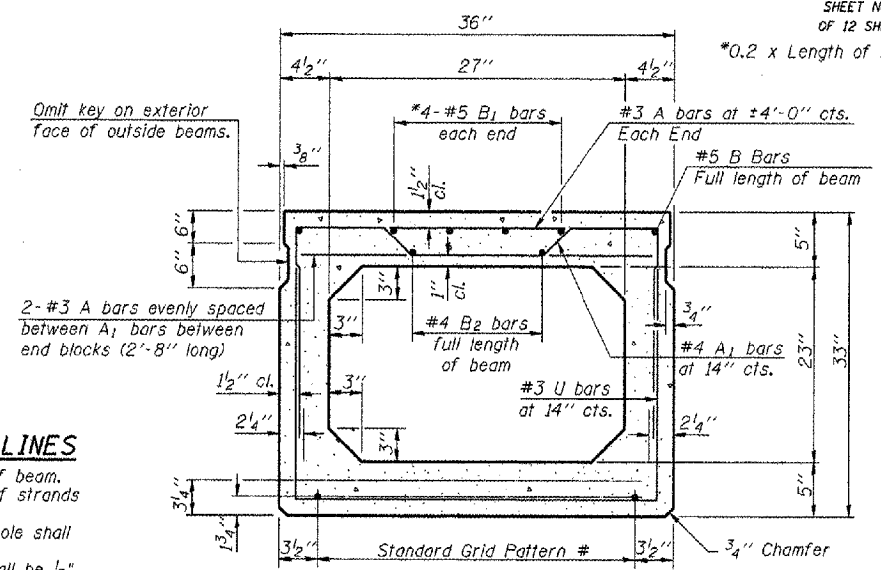


TYPICAL TRANSVERSE TIE ASSEMBLY



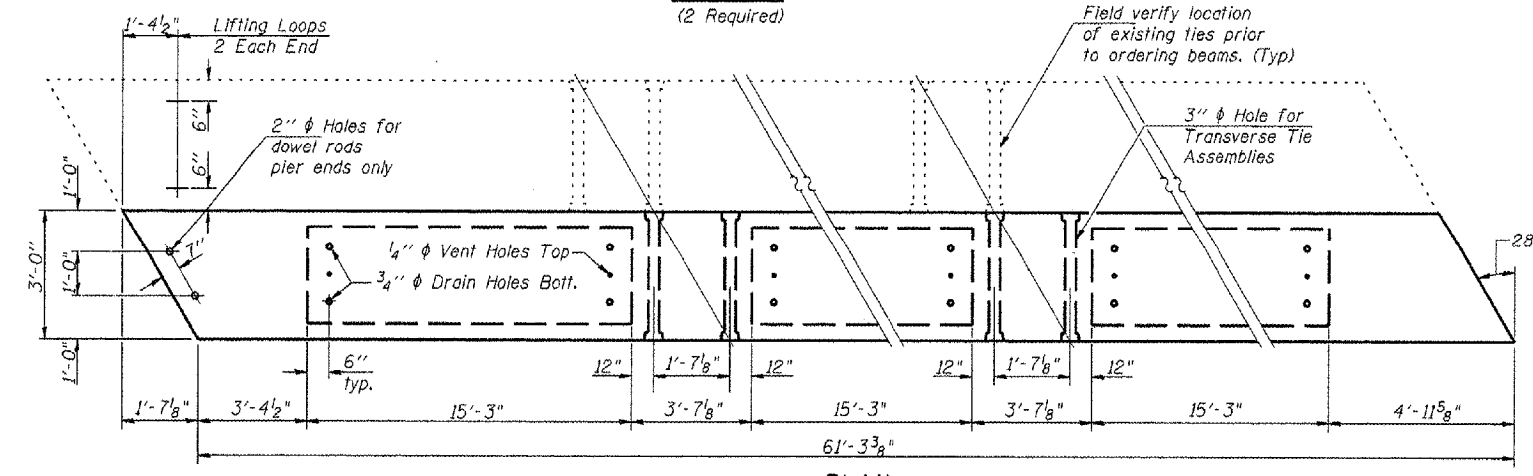
DETAIL A

- # TRANSVERSE PLACEMENT GUIDELINES**
1. Place strands symmetrically about centerline of beam.
 2. The minimum distance from center to center of strands in all directions shall be 2".
 3. The minimum clearance from strand to dowel hole shall be 1/2".
 4. The minimum clearance from strand to void shall be 1/2".
- Vertical placement of strands shall not be adjusted to satisfy the above guidelines.

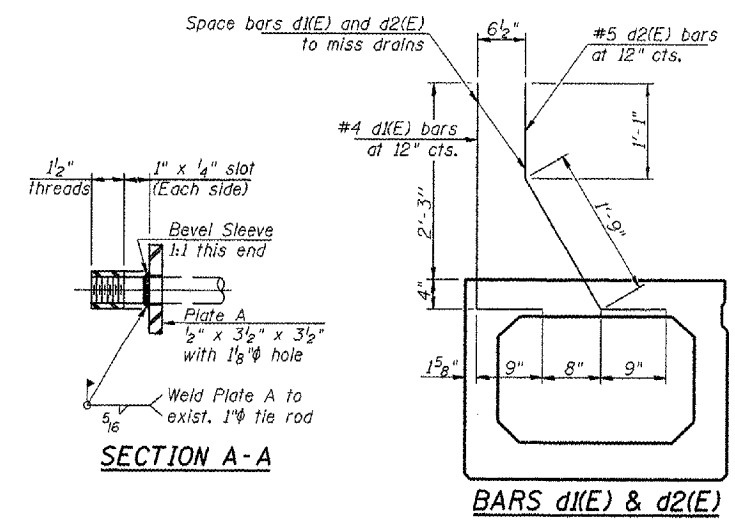


TYPICAL SECTION

12 - 1/2" ϕ Strands, Each Strand Stressed to 30,900 Lbs.
10 - Strands 1 3/4" up, 2 - Strands 3/4" up

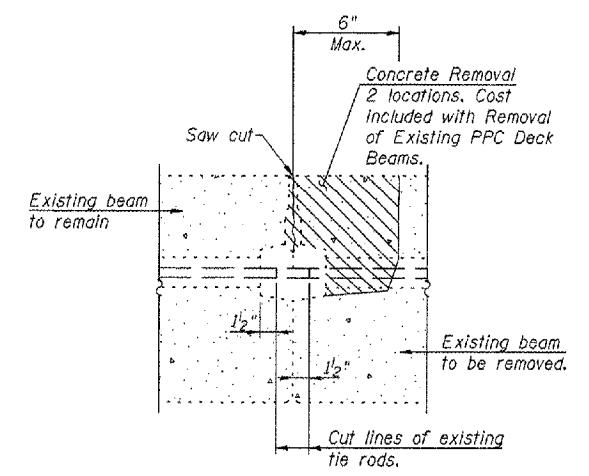


PLAN
(Span 3, Beam 19)



SECTION A-A

BARS d1(E) & d2(E)



BEAM REMOVAL DETAIL AT TRANSVERSE TIES

BILL OF MATERIAL - SPAN 3 (BEAM 19)

Precast Prestressed Conc. Deck Bms. (33" Depth)	Sq. Ft.	184
---	---------	-----

BEAM DETAILS - SPAN 3 (BEAM 19)
U.S. RTE. 24 / IL RTE. 9
OVER LAMARSH CREEK
F.A.P. RTE. 317 - SECTION (45BR)
PEORIA COUNTY
STA. 337+87.67
S.N. 072-0010

NOTES

Prestressing steel shall be uncoated high strength, low relaxation 7-wire strand, Grade 270. The nominal diameter shall be 1/2" and the nominal cross-sectional area shall be 0.153 sq. in. Lifting loops shall be 2 - 1/2" ϕ - 270 ksi strands, as shown.

The 1" ϕ rods in the transverse tie assembly shall be tightened to a snug fit and the threads set. Packets that receive transverse tie bar on outside shall be filled with grout after transverse tie assembly is in place.

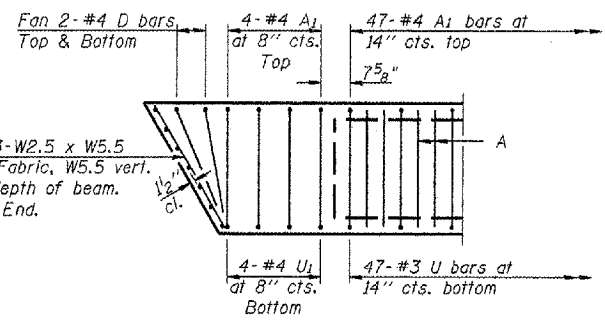
Non prestressing steel shall conform to ASTM A 706 (IL MOD), Grade 60.

The bearing seat surfaces shall be adjusted by shimming to assure firm and even bearing. Two 1/8" fabric adjusting shims of the dimensions shown shall be provided for each bearing.

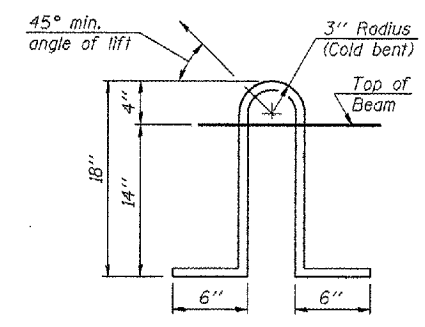
Keyway surfaces shall be cleaned to remove form oil or other bond breaking material prior to shipment of the beams. Cleaning shall be done by sandblasting the keyway areas between top of the beam and the bottom edge of the key.

Corrosion inhibitor, according to Articles 1020.05(b)(12) of the Standard Specifications, shall be used in the concrete for precast prestressed concrete deck beams.

Required Release Strength, f'cl, shall be 4000 p.s.i.



END PLAN



LIFTING LOOP DETAIL