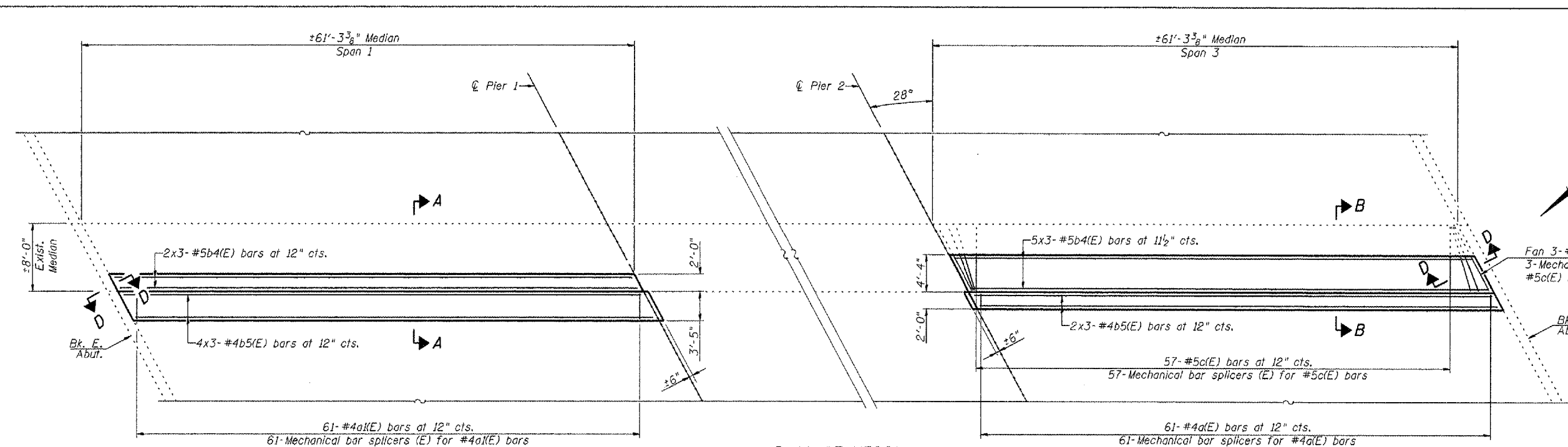
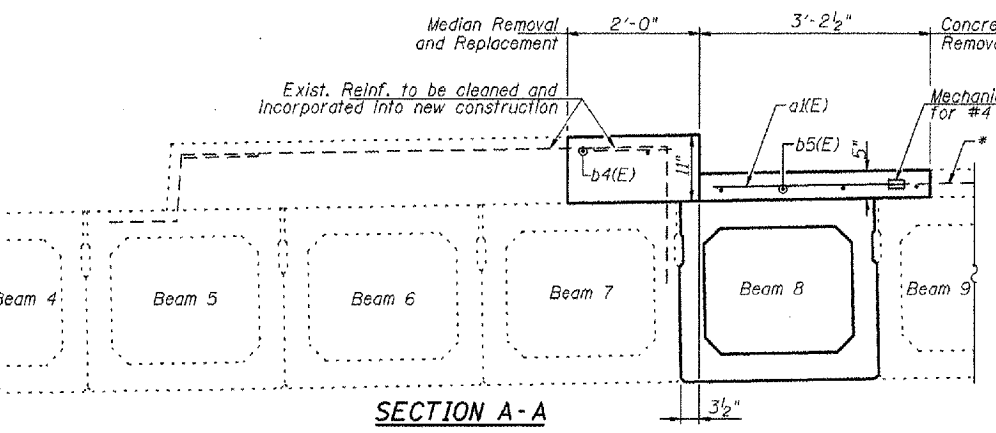


F.A.P. RTE.	SECTION	COUNTY	TOTAL SHEETS	SHEET NO.
317	(45BR)	PEORIA	82	52
STA.		TO STA.		
FED. AID PROJECT				

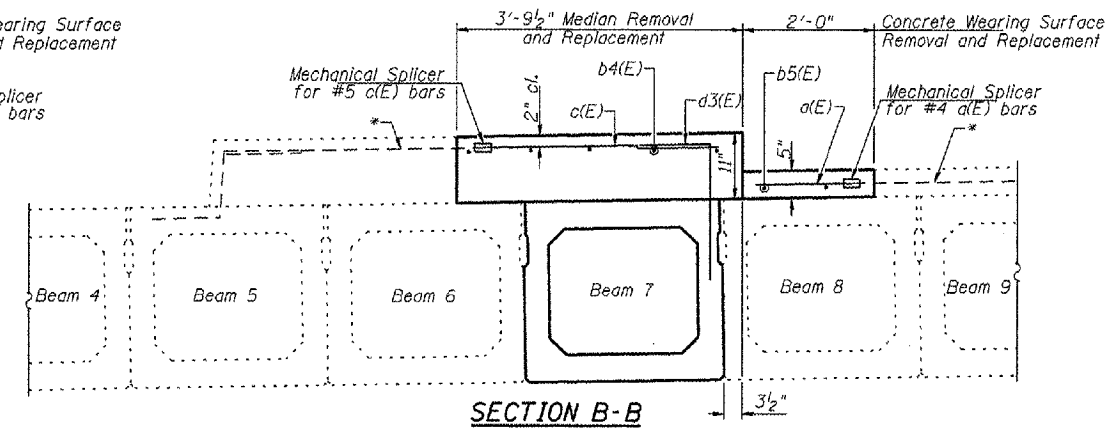


PLAN OF MEDIAN

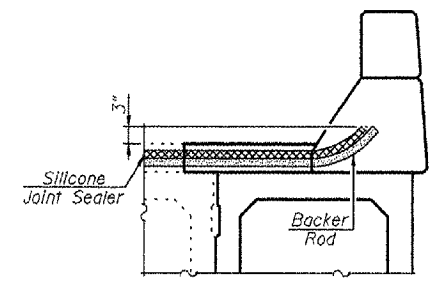
**MIN BAR LAPS**  
#4 Bars - 1'-8"  
#5 Bars - 2'-2"



SECTION A-A



SECTION B-B



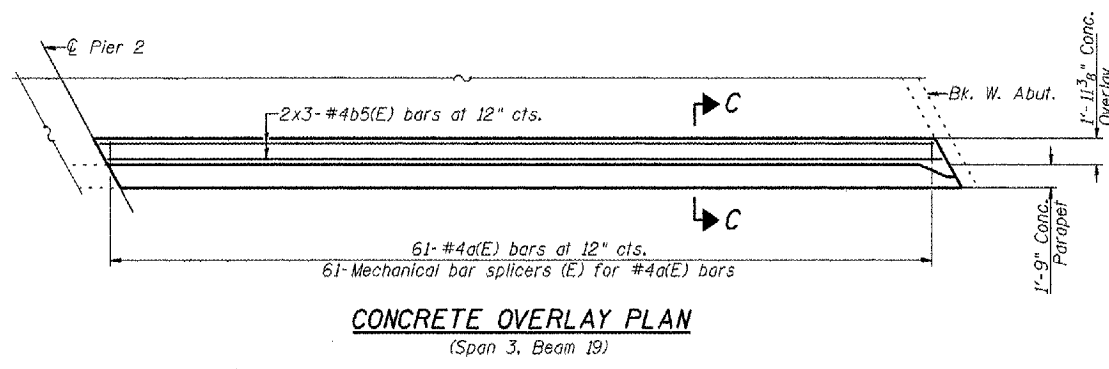
END OF SEAL TREATMENT AT PARAPET

**BILL OF MATERIAL - MEDIAN & CONCRETE OVERLAY**

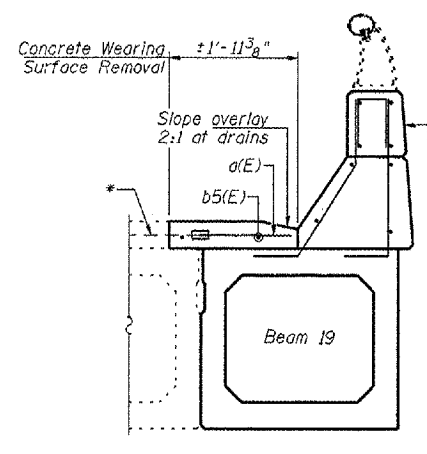
BAR	NO.	SIZE	LENGTH	SHAPE
a(E)	122	#4	1'-3"	—
a(E)	61	#4	2'-6"	—
b4(E)	21	#5	22'-0"	—
b5(E)	24	#4	21'-8"	—
c(E)	63	#5	3'-1"	—
Reinforcement Bars, Epoxy Coated			Pound	1240
Concrete Wearing Surface			Sq. Yds.	51
Concrete Removal			Cu. Yds.	12.9
Concrete Superstructures			Cu. Yds.	12.9
Mechanical Splices			Each	246

Notes:  
Bar d3(E) shall be cast with the PPC Deck Beams. Cost included in the cost of Precast Prestressed Concrete Deck Beams (33" Depth).  
Bars Indicated thus 5x3-#5 etc. indicates 5 lines of bars with 3 lengths per line.

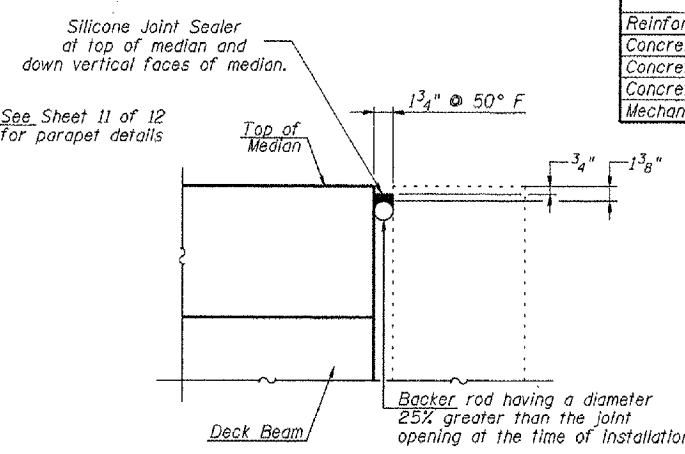
\* - Existing reinforcement. Leave 6" min. extending into removal area (Typ.)



CONCRETE OVERLAY PLAN  
(Span 3, Beam 19)



SECTION C-C



SECTION D-D

**MEDIAN & CONCRETE OVERLAY DETAILS**  
U.S. RTE. 24 / IL RTE. 9  
OVER LAMARSH CREEK  
F.A.P. RTE. 317 - SECTION (45BR)I  
PEORIA COUNTY  
STA. 337+87.67  
S.N. 072-0010

PLOT DATE = 8/21/85  
FILE NAME = #FILEL4