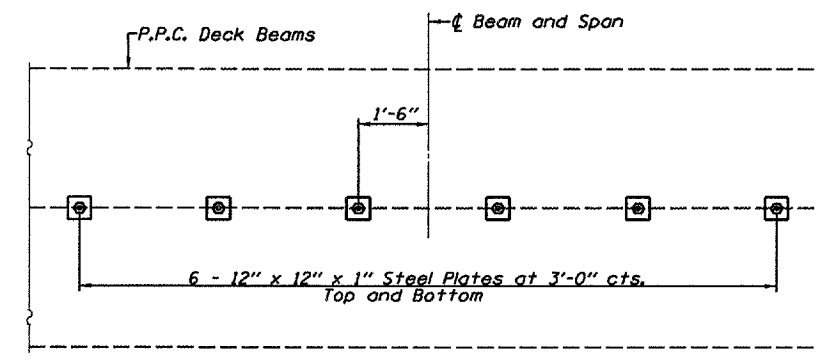
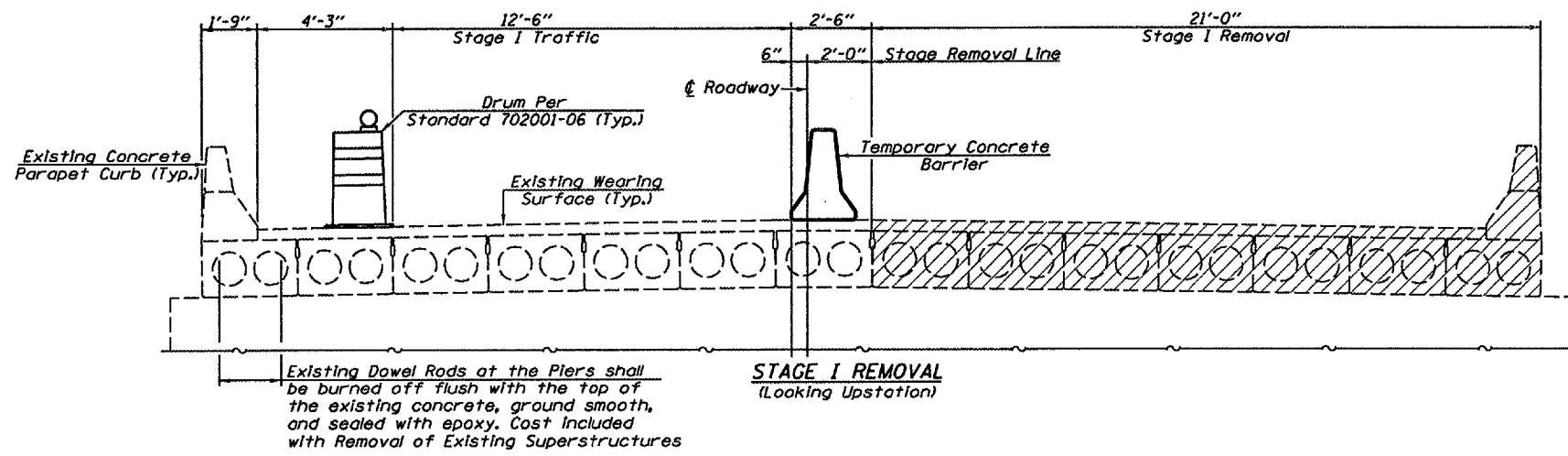
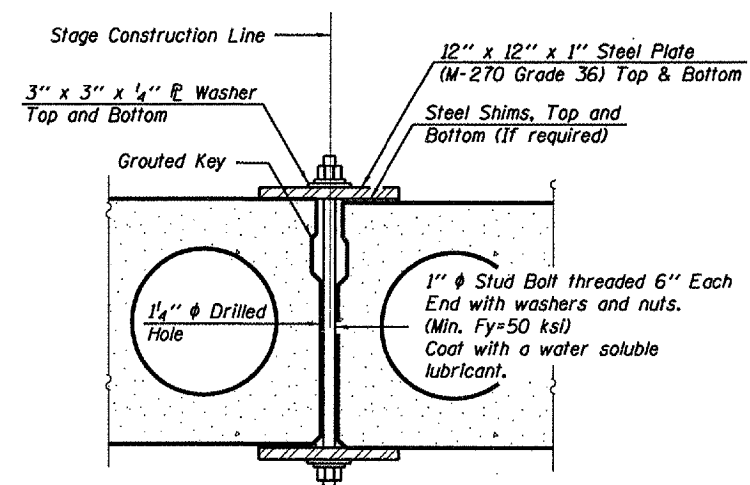
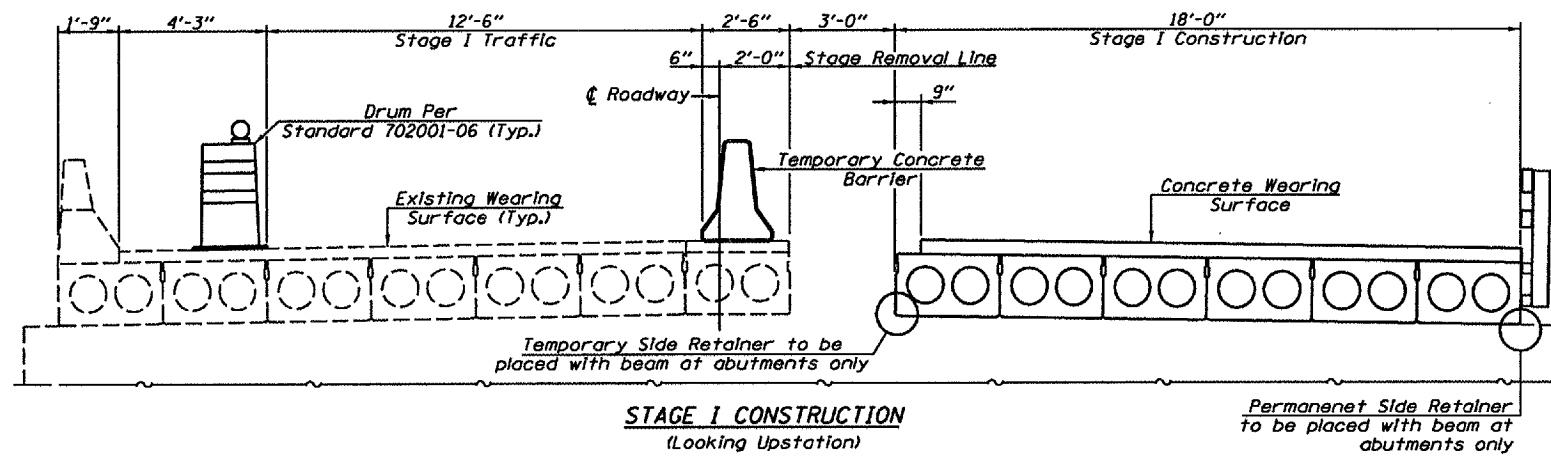


ROUTE NO.	SECTION	COUNTY	TOTAL SHEETS	SHEET NO.
F.A.P. 317	(45-RB)I-1	PEORIA	82	59
FED. ROAD DIST. NO.	ILLINOIS	FED. AID PROJECT		
CONTRACT NO. 68456				

SHEET NO. 3
OF 14 SHEETS



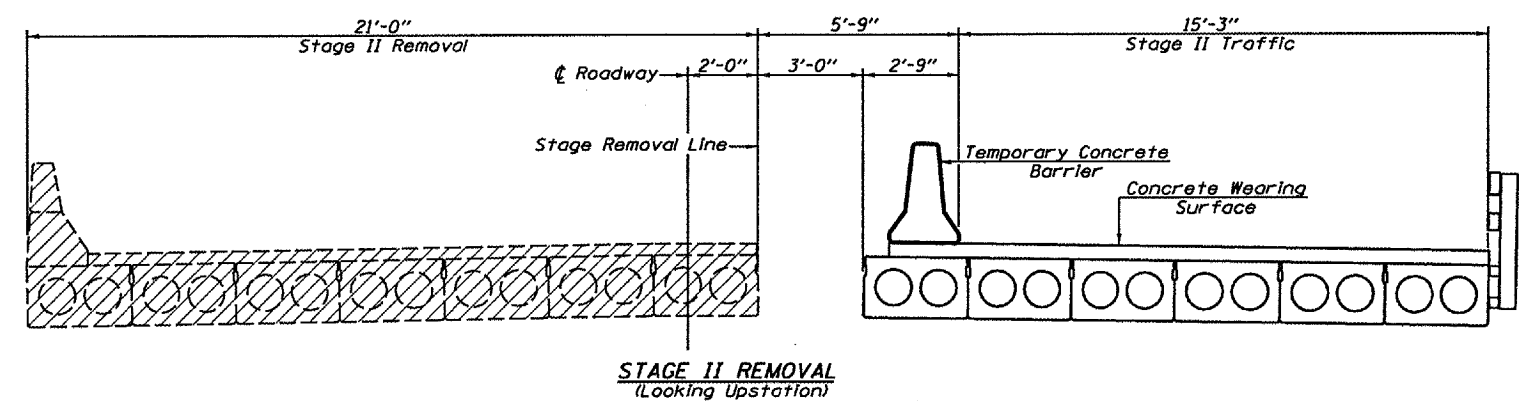
PLAN AT STAGE CONSTRUCTION LINE



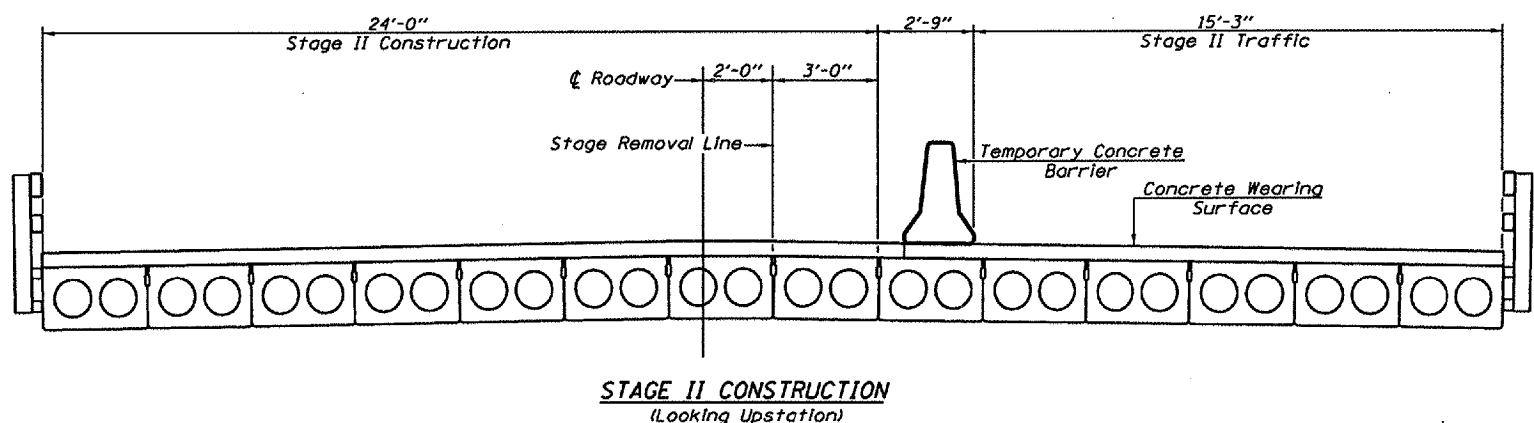
SECTION

SHEAR KEY CLAMPING DETAILS AT STAGE CONST. JT.

See Article 504.06 (d) of the Standard Specifications for Stage Construction of Precast Prestressed Concrete Deck Beams.
Cost included with "Precast Prestressed Concrete Deck Beams".
See Stage Construction Details for traffic lanes.



STAGE II REMOVAL
(Looking Upstation)



STAGE II CONSTRUCTION
(Looking Upstation)

Notes: All Cross sections are looking West.
Hatched area indicates "Removal of Existing Superstructures."
Cost of removal of the existing wearing surface, existing precast prestressed concrete deck beams and concrete parapet curb are included with "Removal of Existing Superstructures".
For quantity of Temporary Concrete Barrier see Roadway Plans.
For Permanent & Temporary Side Retainer details see Sheet 13 of 14.

STAGE CONSTRUCTION DETAILS
U.S. ROUTE 24 OVER
LITTLE LaMARSH CREEK
F.A.P. RTE. 317 - SECTION (45-RB)I-1
PEORIA COUNTY
STA. 496+86.55
S.N. 072-0136

FILE NAME: STRUCTURE PLANS (REV. 2/1/07)