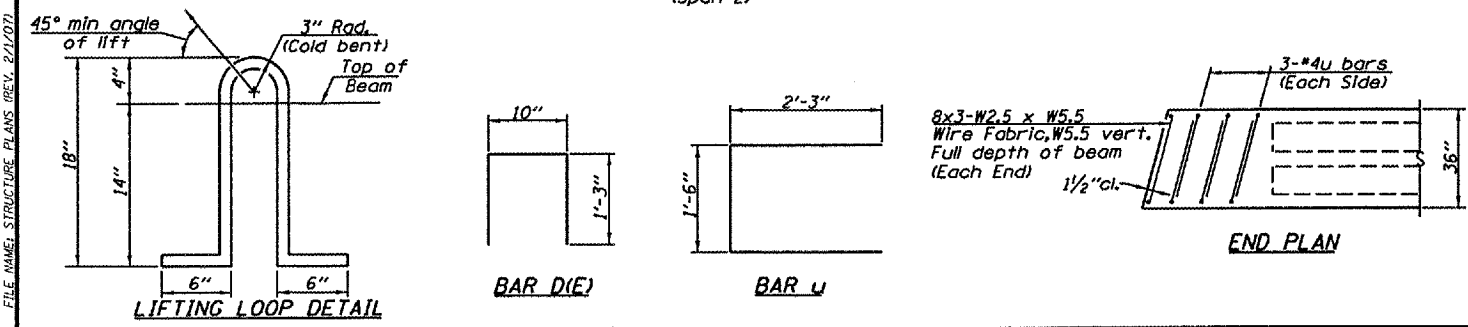
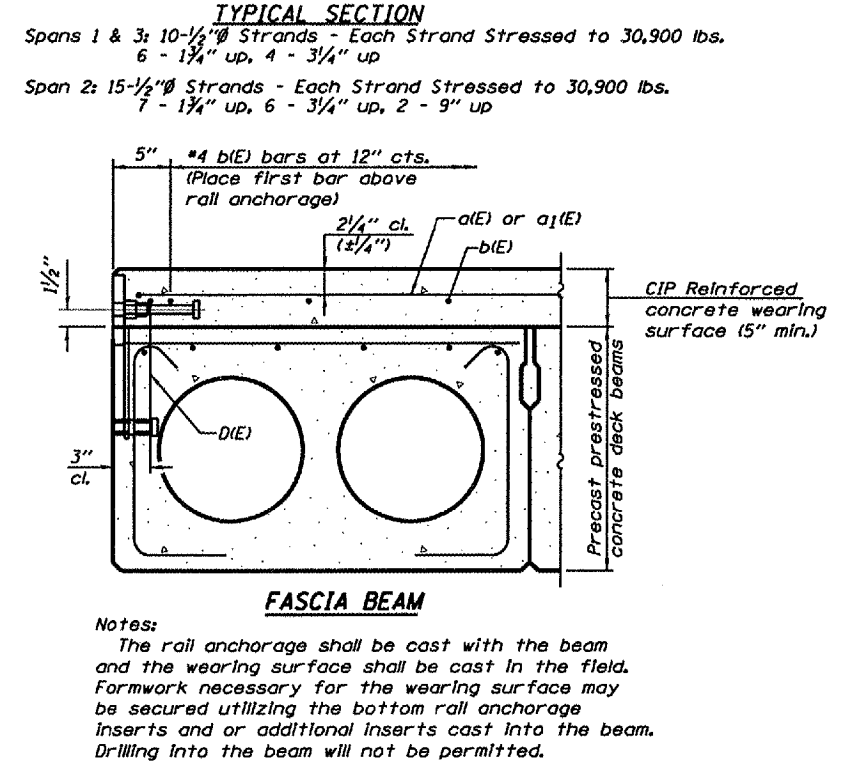
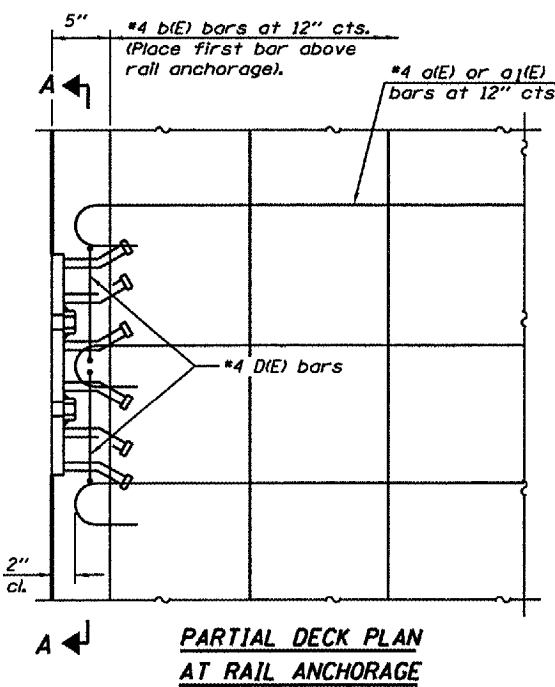
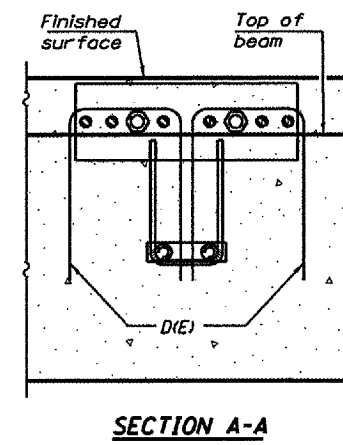
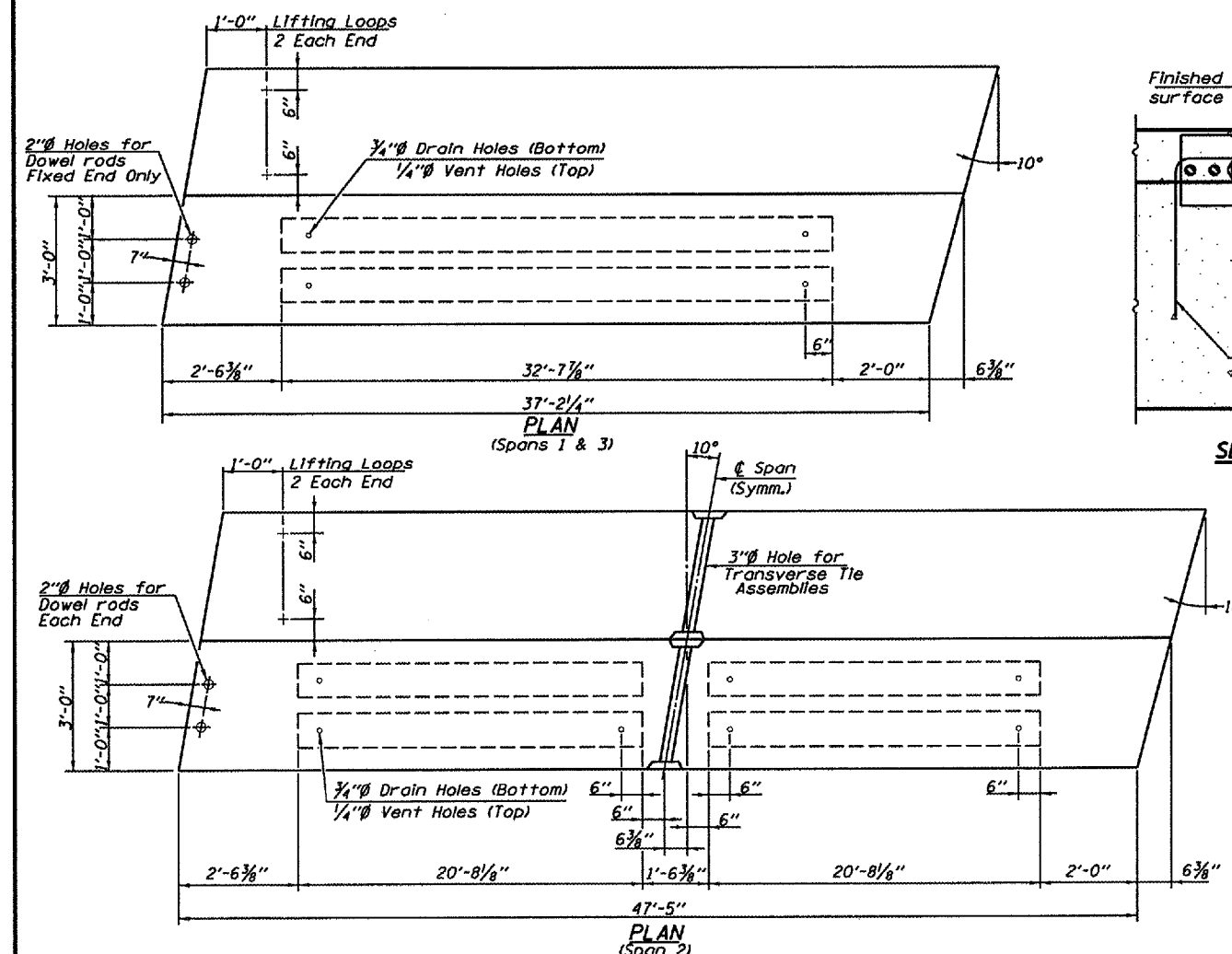
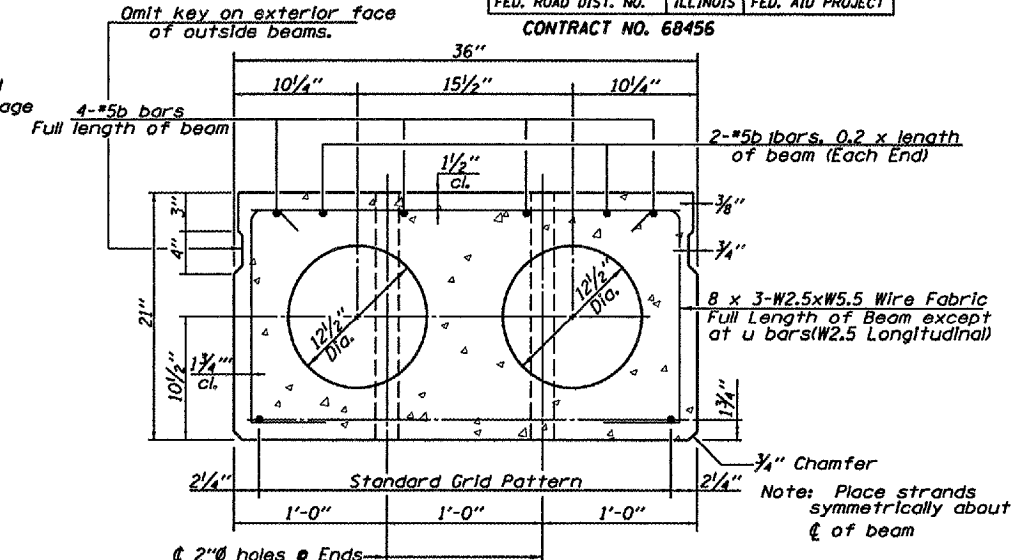
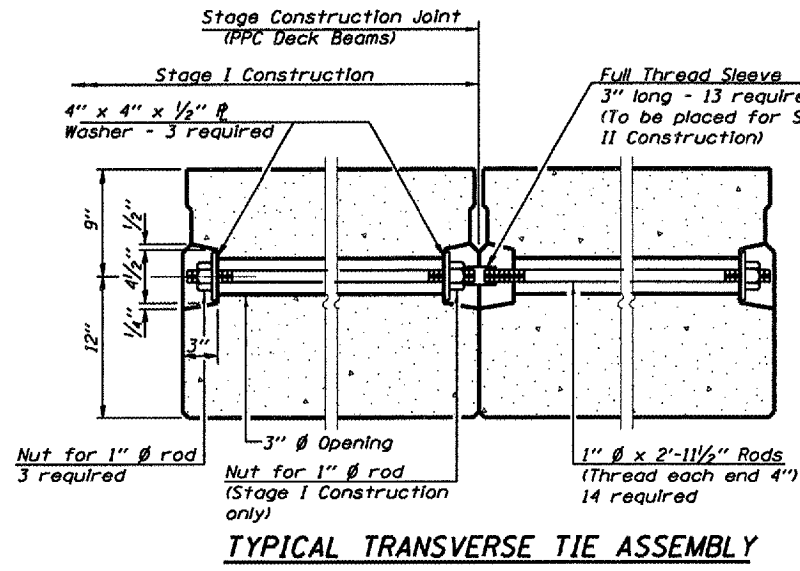
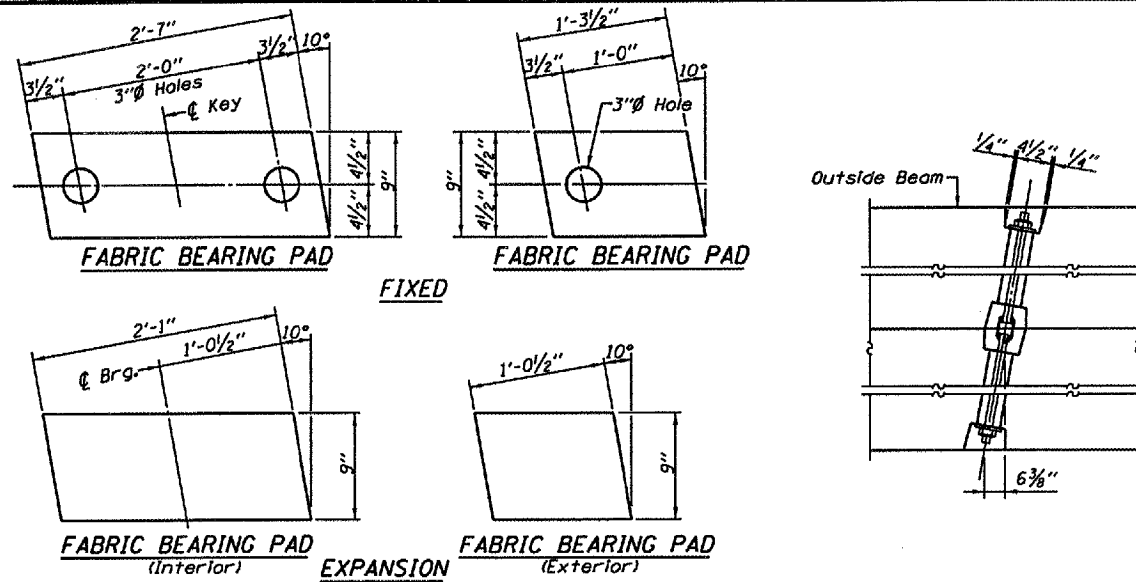


ROUTE NO.	SECTION	COUNTY	TOTAL SHEETS	SHEET NO.
F.A.P. 317	(45-RB1)-1	PEORIA	82	61
FED. ROAD DIST. NO.	ILLINOIS	FED. AID PROJECT		

CONTRACT NO. 68456



**NOTES**  
 After beams have been erected, holes shall be drilled into substructure and anchor dowels placed. Dowel holes shall be filled with non-shrink grout to top of beam and allowed to cure min. 24 hours prior to grouting the shear keys.  
 Prestressing steel shall be uncoated high strength, low relaxation 7-wire strand, Grade 270.  
 The nominal diameter shall be 1/2" and the nominal cross-sectional area shall be 0.153 sq. in.  
 Lifting loops shall be 2 - 1/2" Ø-270 ksi strands as shown.  
 The 1" Ø rods in the Transverse Tie Assembly shall be tightened to a snug fit and the threads set. Pockets that receive transverse tie bar on outside shall be filled with grout after transverse tie assembly is in place.  
 Non-prestressing steel shall conform to ASTM A 706 Grade 60 (IL Modified) See Special Provisions.  
 The bearing seat surfaces shall be adjusted by shimming to assure firm and even bearing. Two 1/8" fabric adjusting shims of the dimensions of the Exterior Bearing Pad shall be provided for each bearing.  
 Keyway surfaces shall be cleaned to remove form oil or other bond breaking material prior to shipment of the beams. Cleaning shall be done by sandblasting the keyway areas between top of the beams and the bottom edge of the key.  
 Corrosion Inhibitor, according to Article 1020.05(b)(12) and 1021.06 of the Standard Specifications, shall be used in the concrete for Precast Prestressed Concrete Deck Beams.  
 Required Release Strength, f'cl, shall be 4000 p.s.i.  
 See Sheet 7 of 14 for rail anchorage locations.

**BILL OF MATERIAL**

Item	Unit	Quantity
Precast Prestressed Concrete Deck Beams (21')	Sq. Ft.	5117

**DECK BEAM DETAILS**  
 U.S. ROUTE 24 OVER  
 LITTLE LOMARSH CREEK  
 F.A.P. RTE. 317 - SECTION (45-RB1)-1  
 PEORIA COUNTY  
 STA. 496+86.55  
 S.N. 072-0136

FILE NAME: STRUCTURE PLANS (REV. 2/1/07)