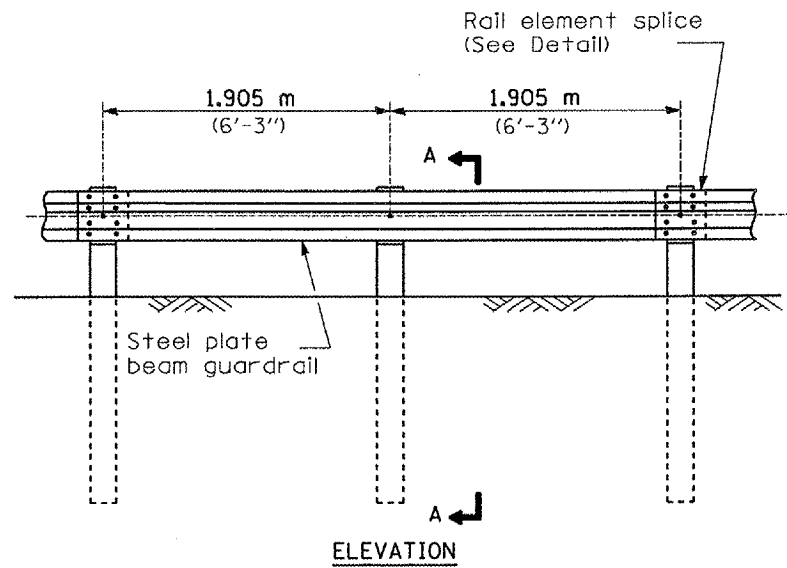
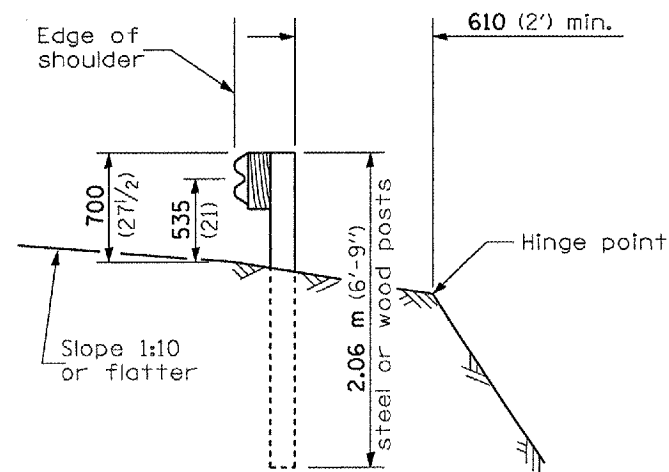


F.A.P. R.T.E.	SECTION	COUNTY	TOTAL SHEETS	SHEET NO.
317	(44,45) RS-5, (46-D) RS-7, 45-IRB, RB-2, BR1	PEORIA	82	73

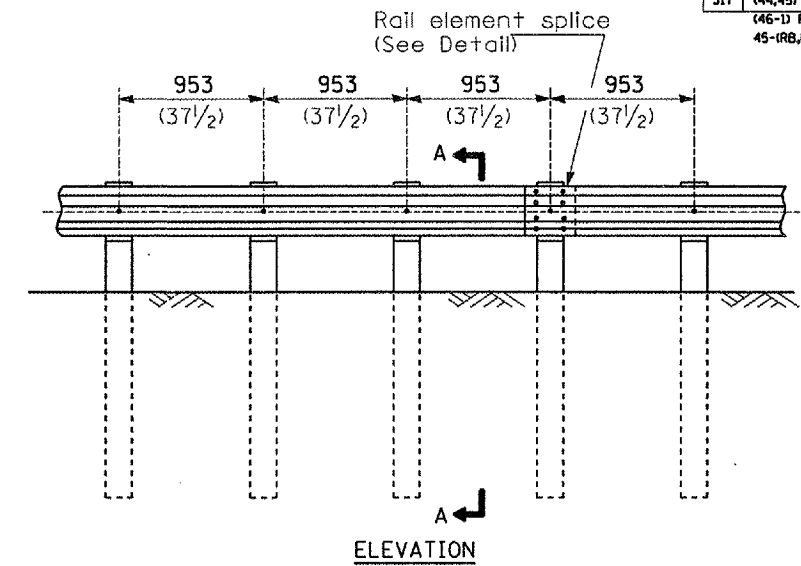


TYPE A

1.905 m (6'-3'') Typical post spacing

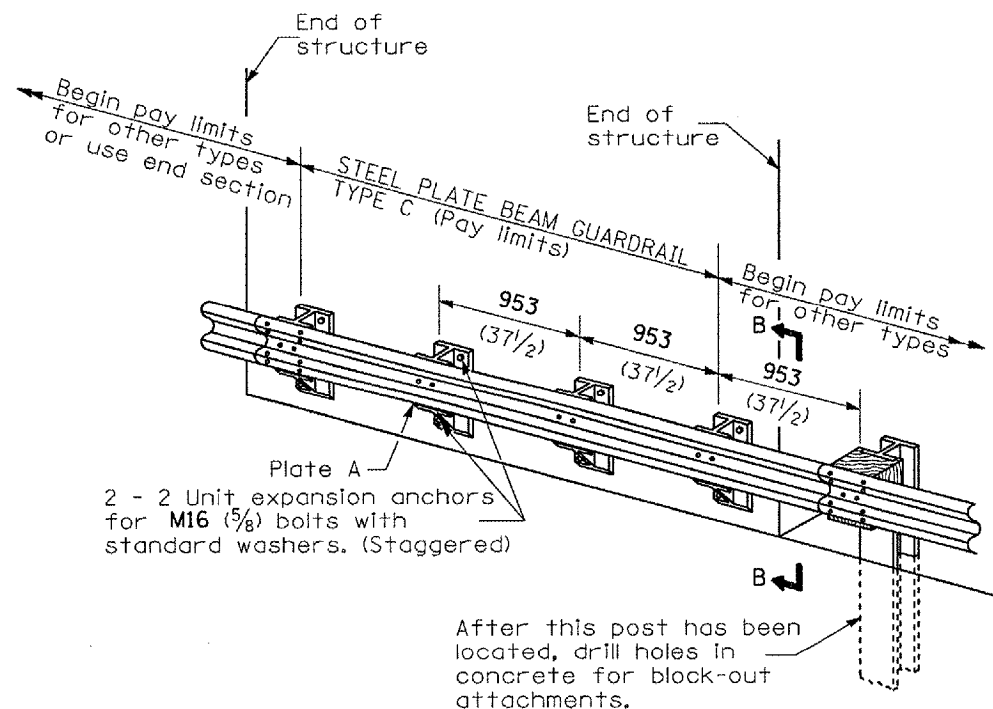


SECTION A-A



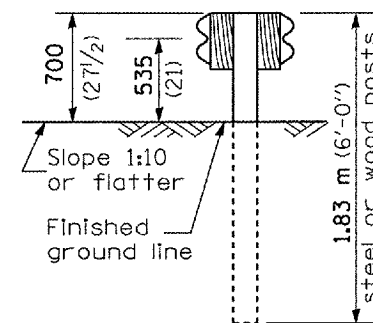
TYPE B

953 (37 1/2'') Closed post spacing

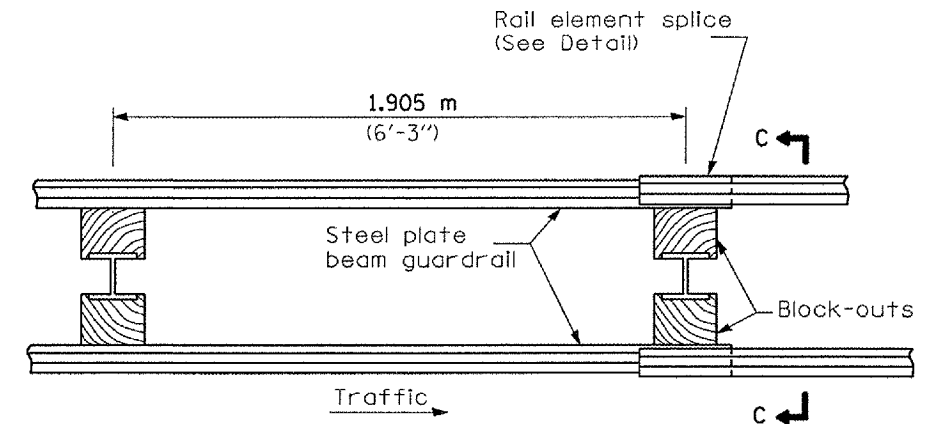


TYPE C

953 (37 1/2'') Block-out spacing

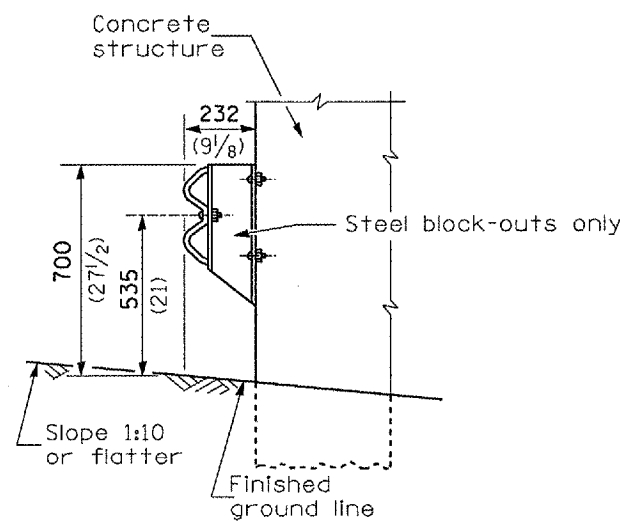


SECTION C-C



TYPE D

Double steel plate beam guardrail
1.905 m (6'-3'') typical post spacing



SECTION B-B

GENERAL NOTES

All slope ratios are expressed as units of vertical displacement to units of horizontal displacement (V:H).

All dimensions are in millimeters (inches) unless otherwise shown.

The existing steel posts may be drilled to match the bolt pattern shown herein for the wood block-out, or a new steel post shall be provided.

This detail is applicable to the guardrail system used prior to January 1, 2007. For details on the Midwest Guardrail System, see Standard 630001.

**REMOVE AND REERECT
STEEL PLATE BEAM GUARDRAIL**

(Sheet 1 of 4)

DETAIL