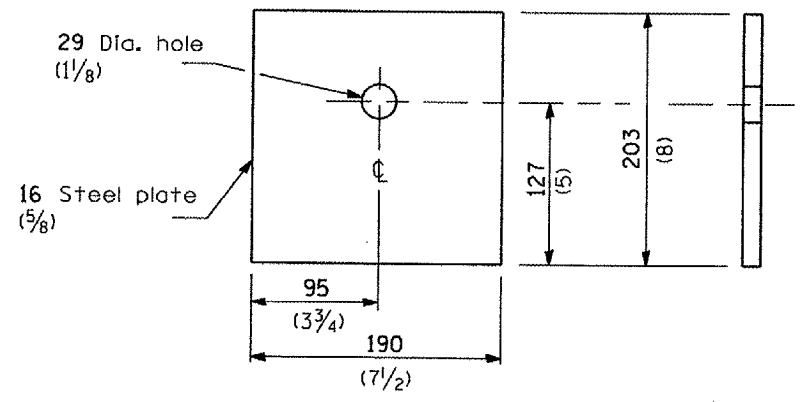


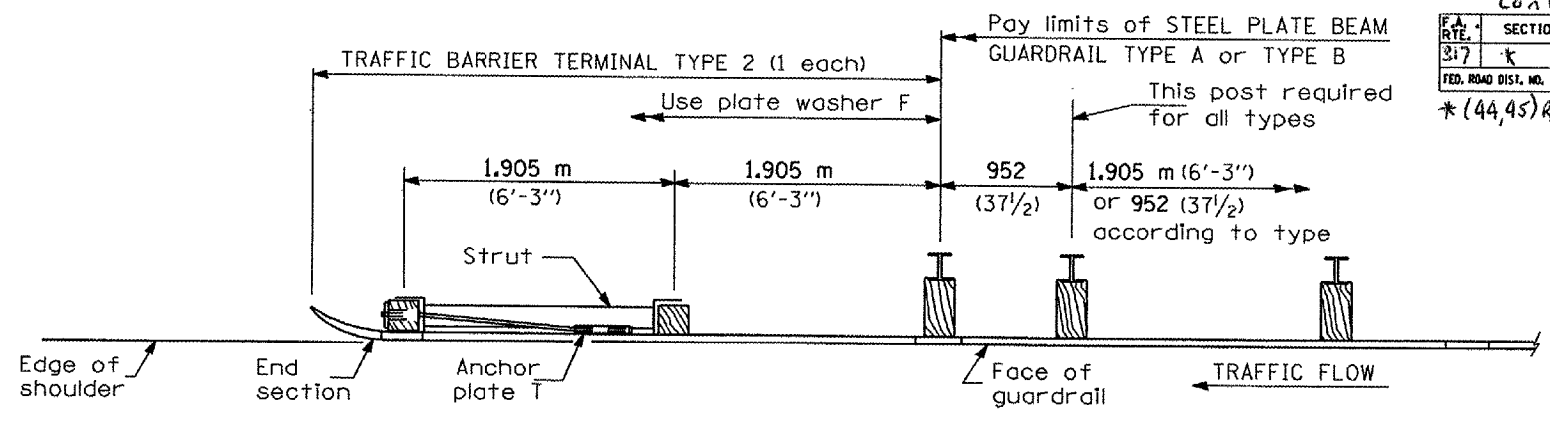
Contract # 68456

F.A. RYE.	SECTION	COUNTY	TOTAL SHEETS	SHEET NO.
317	K	Peoria		76A

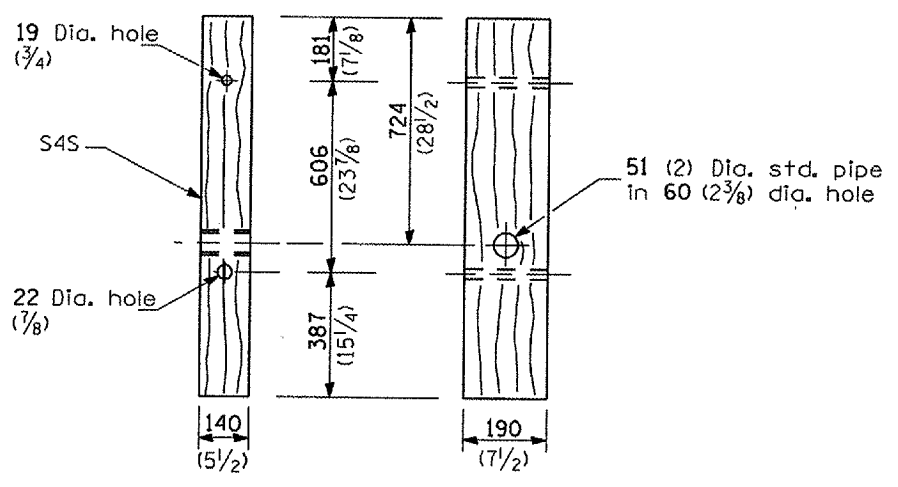
FED. ROAD DIST. NO. ILLINOIS FED. AID PROJECT  
 \*(44,45)RS-3, (46-1)RS-7



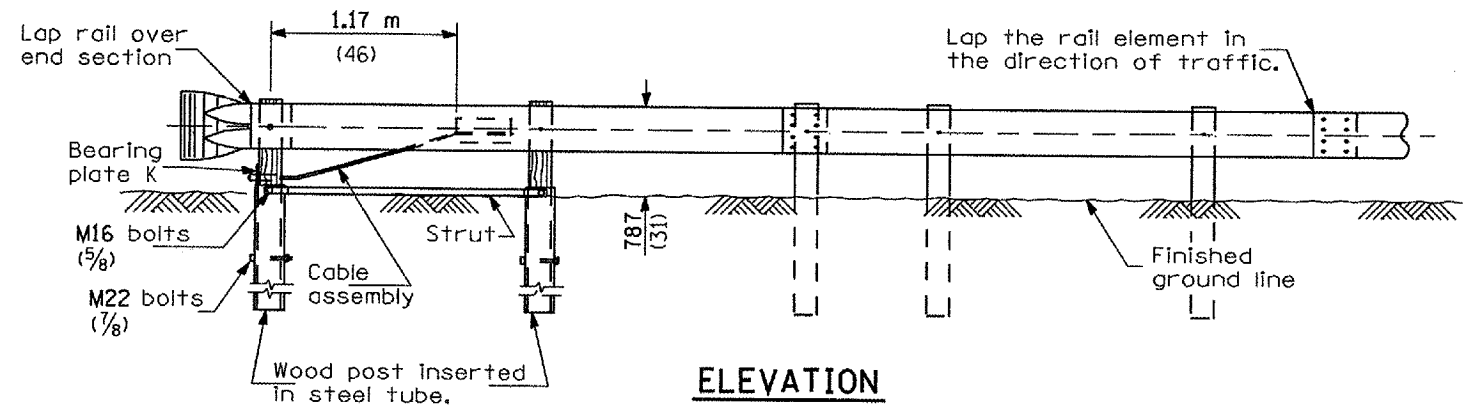
**BEARING PLATE K**



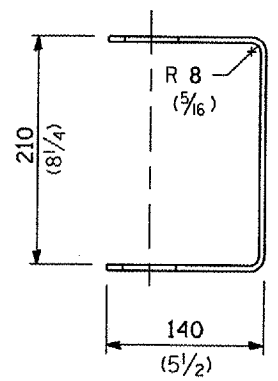
**PLAN**



**WOOD POST**

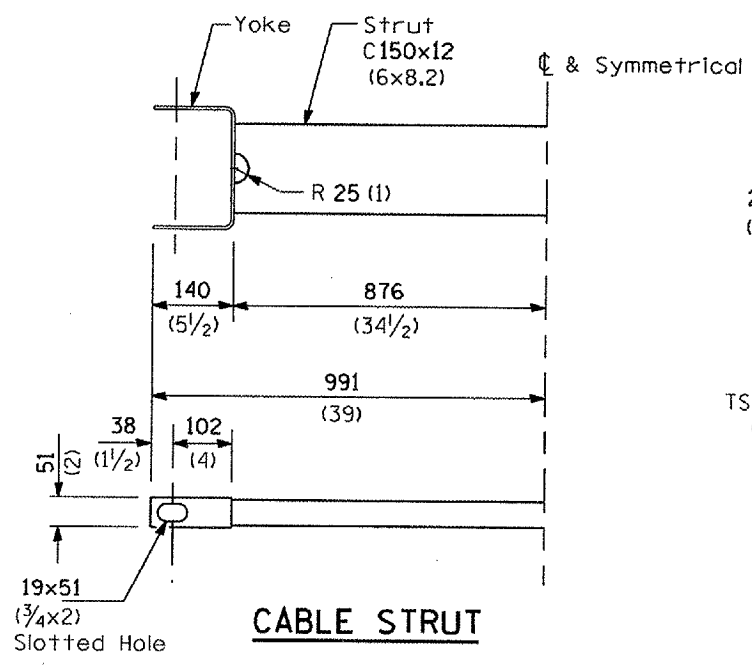


**ELEVATION**

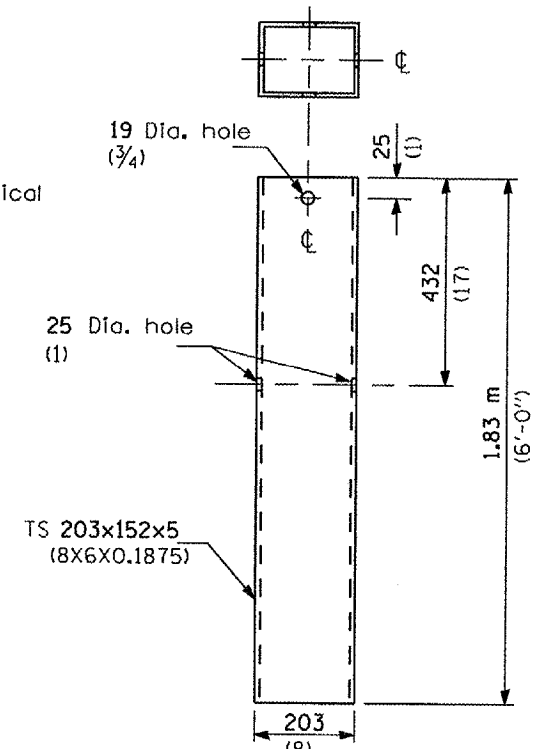


**YOKE**

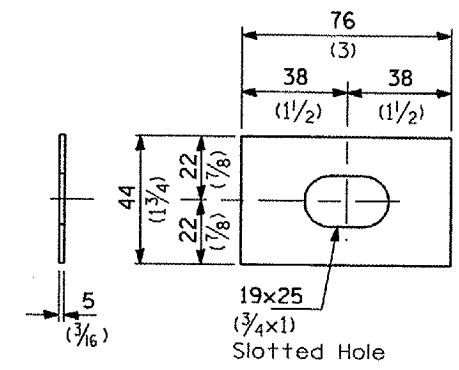
5 (3/16) thick steel



**CABLE STRUT**



**STEEL TUBE**



**PLATE WASHER F**

**GENERAL NOTES**

See Standard 630001 for details of guardrail not shown.

The bearing plate K shall be held in position by (2) two eight penny nails driven into the post and bent over the top of the plate.

All dimensions are in millimeters (inches) unless otherwise shown.

**TRAFFIC BARRIER TERMINAL, TYPE 2**

**DETAIL**