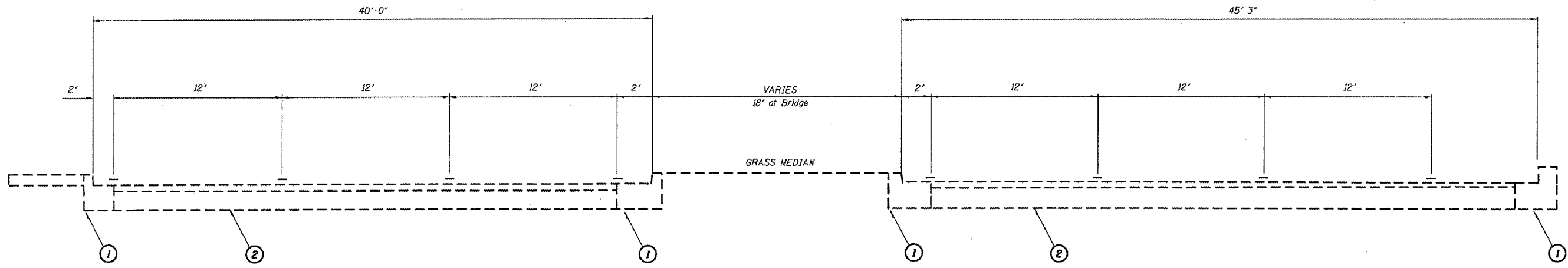


STATE OF ILLINOIS
DEPARTMENT OF TRANSPORTATION

ROUTE NO.	SECTION	COUNTY	POST MILE	SHEET
F.A.P. 317	(488)I	PEORIA	29	4
FED. ROAD DIST. NO. 7	ILLINOIS	FED. AID PROJECT		

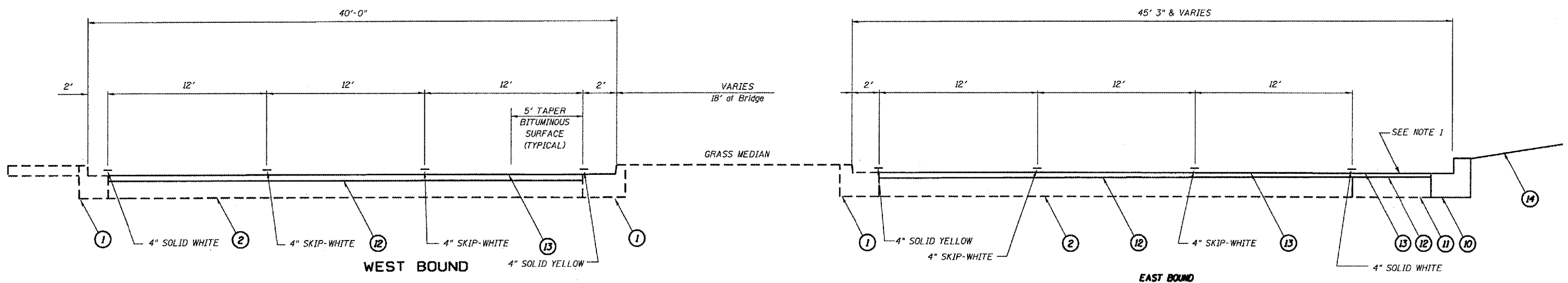
D-94-062-05



EXISTING ROADWAY TYPICAL SECTION

EAST AND WEST OF BRIDGE
STA. 173+70 TO 183+15 SIMILAR
STA. 183+15 TO STA. 191+50 EASTBOUND
STA. 183+15 TO STA. 191+50 WESTBOUND

- ① Existing Combination Concrete Curb & Gutter, Type B-9.24
- ② Existing Pavement With Bituminous Overlay Surface
- ⑩ Proposed Combination Concrete Curb & Gutter, Type B-9.24 Sta. 185+29 to Sta. 186+07
- ⑪ Proposed Portland Cement Concrete Shoulders, 6"
- ⑫ Proposed Hot-Mix Asphalt Surface Removal, 1"
- ⑬ Proposed Hot-Mix Asphalt Surface Course, Mix D, N70, (1 1/2" thickness & varies)
- ⑭ Earth Backfill (incidental)



PROPOSED TYPICAL SECTION

STA. 185+29 TO STA. 186+29
TAPER SURFACE COURSE FROM 1"
AT STA. 185+29 TO 1 1/2" AT STA. 185+49

NOTE 1

EXISTING CONCRETE SHOULDERS SHALL BE MILLED AND SHALL BE PAID FOR AS HOT-MIX ASPHALT SURFACE REMOVAL, 1"

TYPICAL ROADWAY SECTION
F.A.P. 317 (U.S. RTE. 24)
STRUCTURE 072-0134
PEORIA COUNTY, ILLINOIS
STATION 187+10.02

DESIGNED	- JRG
CHECKED	- JFS
DRAWN	- ACJ
CHECKED	- JRG/JFS