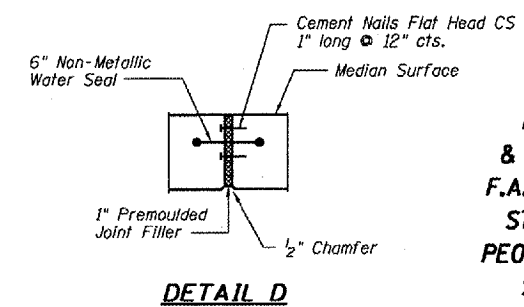
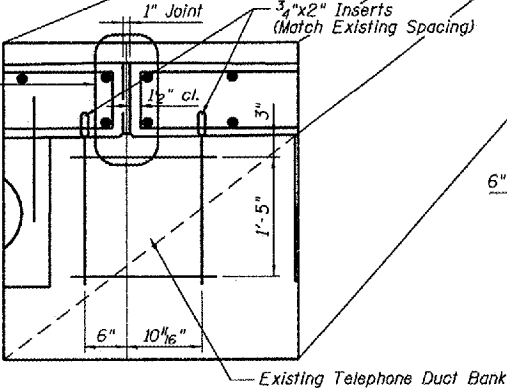
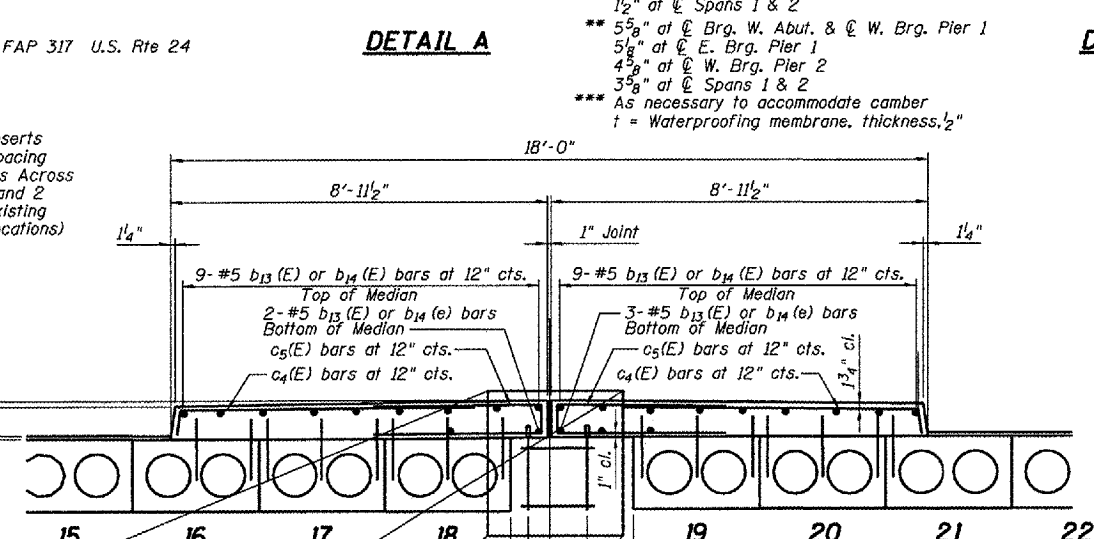
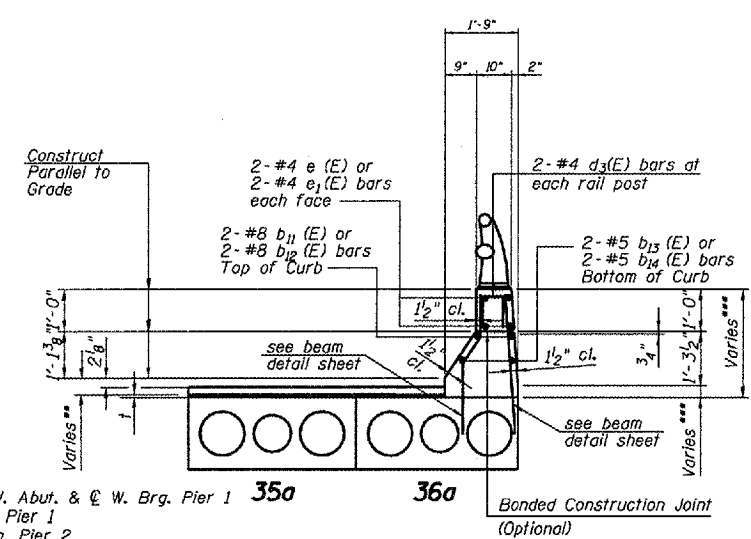
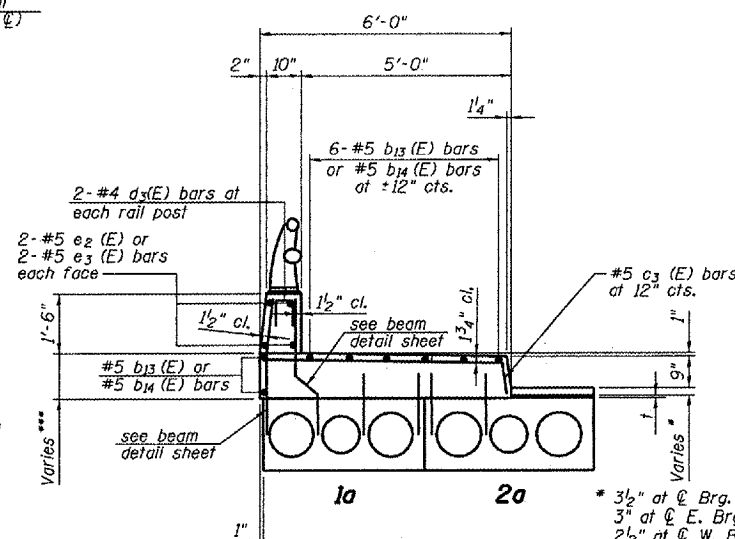
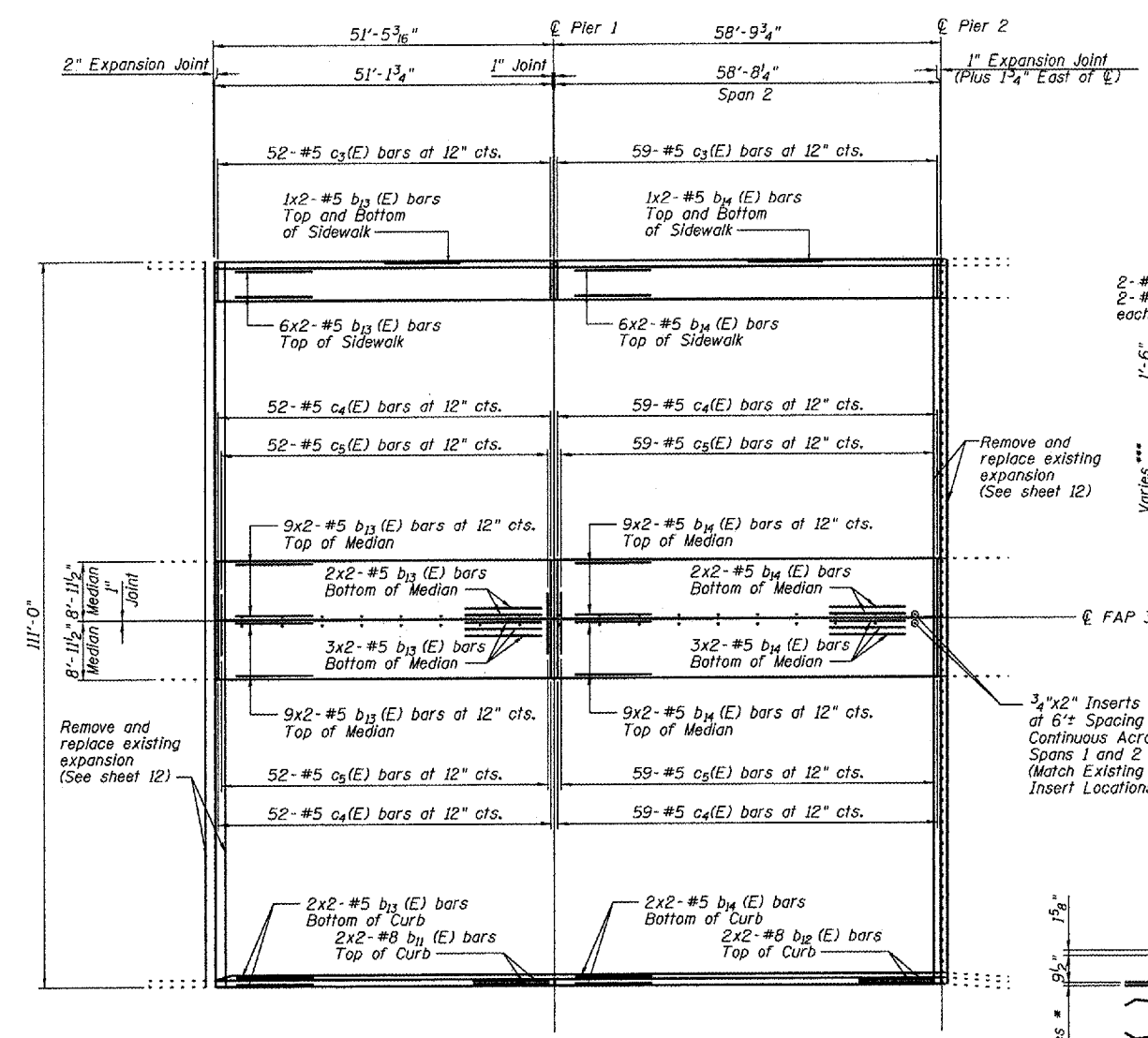


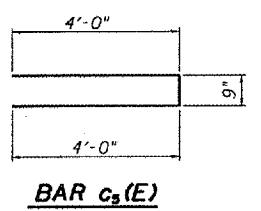
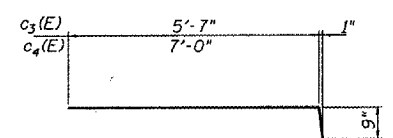
STATE OF ILLINOIS
DEPARTMENT OF TRANSPORTATION

ROUTE NO.	SECTION	COUNTY	SHEETS	DATE	SHEET NO.
F.A.P. 317	(48B1)	PEORIA	29	19	16 SHEETS
FED. ROAD DIST. NO. 7	ILLINOIS	FED. AID PROJECT:			
D-94-062-05					



REINFORCEMENT BAR SPLICE SCHEDULE

Bar Size	Splice Length
#4	1'-4"
#5	1'-8"
#8	3'-5"



BILL OF MATERIALS

Bar	No.	Size	Length	Shape	
b11(E)	4	#8	27'-2"	—	
b12(E)	4	#8	31'-0"	—	
b13(E)	66	#5	26'-4"	—	
b14(E)	66	#5	30'-1"	—	
c3(E)	111	#5	6'-4"	—	
c4(E)	222	#5	7'-9"	—	
c5(E)	222	#5	8'-9"	—	
Reinforcement Bars (Epoxy Coated)				lb.	9,127
Conc. Superstructure				Cu. Yd.	131
Protective Coat				Sq. Yd.	375

PARAPET, MEDIAN & SIDEWALK DETAILS
F.A.P. 317 (U.S. RTE. 24)
STRUCTURE 072-0134
PEORIA COUNTY, ILLINOIS
STATION 187+10.02

DESIGNED - JRG
CHECKED - JFS
DRAWN - JBA
CHECKED - JRG