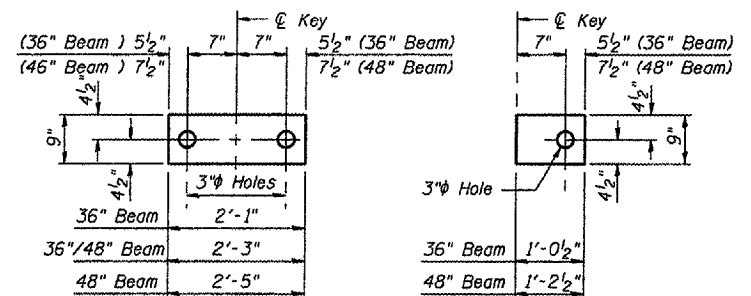
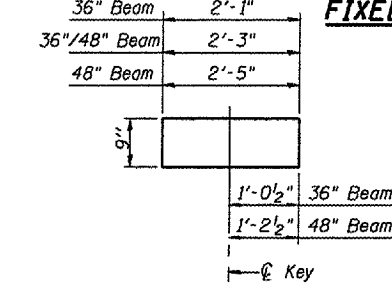


STATE OF ILLINOIS
DEPARTMENT OF TRANSPORTATION

ROUTE NO.	SECTION	COUNTY	SHEETS	SHEET NO.
F.A.P. 317	(48B)	PEORIA	29	21
FED. ROAD DIST. NO. Y		ILLINOIS	FED. AID PROJECT	
D-94-062-05		#4 D(E) @ 12" cts. Type B, C		

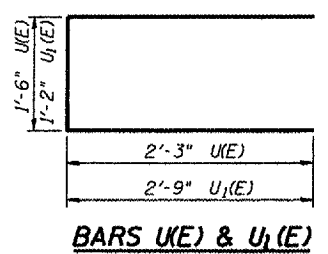


FABRIC BEARING PAD
(Interior) (Exterior)



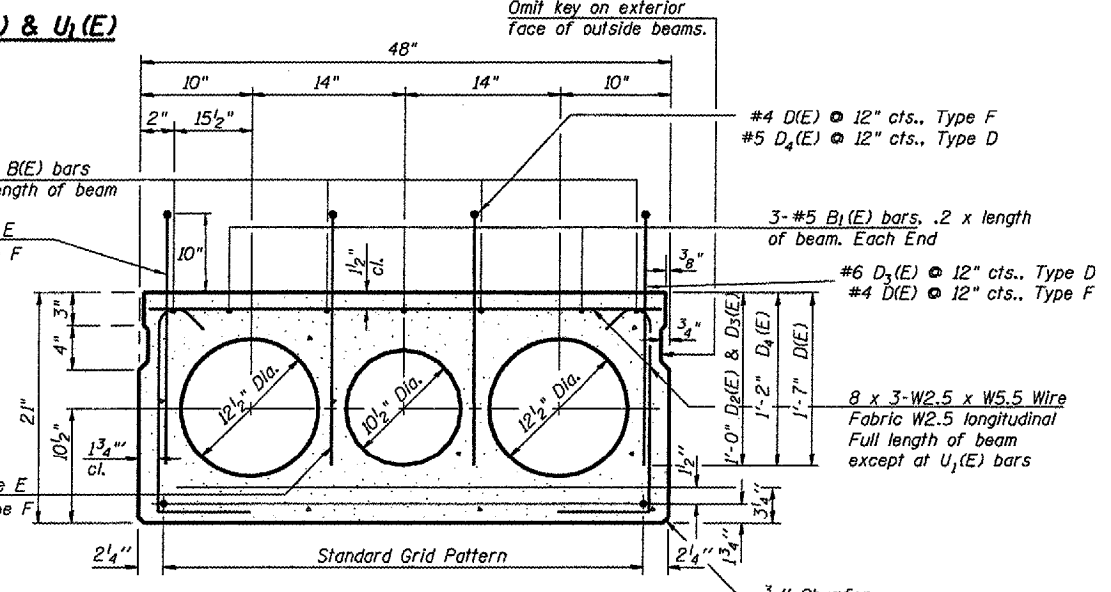
FABRIC BEARING PAD
(Interior) (Exterior)

SHIM NOTE:
Provide two (2) 1/8" thick fabric Shim Pads for all beams.
1'-0 1/2" x 9" - 32 locations
1'-2 1/2" x 9" - 8 locations



BARS U(E) & U1(E)

BARS D(E)



21"x48" TYPICAL SECTION

1/2" φ Strands, Each Strand Stressed to 30,900 Lbs.
6-Strands 1 3/4" up, 10-Strands 3/4" up, 2-Strands 6" up
Note: Place strands symmetrically about centerline of beam.

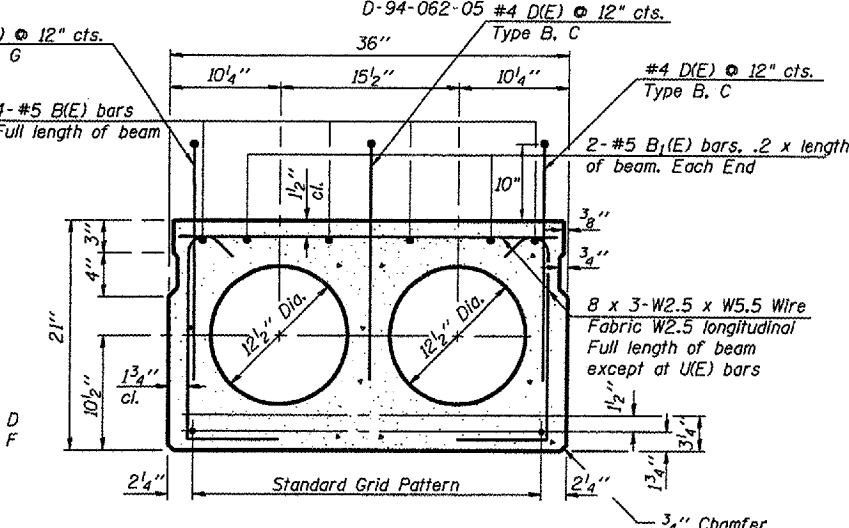
BAR LIST

No. Beams	Beam Type A	Beam Type B	Beam Type C	Beam Type D	Beam Type E	Beam Type F	Beam Type G	Beam Type H	Size	Length	Shape
	22	4	1	1	1	1	1	3			
B (E)	4	4	4	4	4	4	4	4	#5	50'-11"	—
B1 (E)	4	4	4	6	6	6	4	6	#5	10'-3"	—
U (E)	12	12	12			12	12		#4	5'-6"	—
U1 (E)				12	12	12		12	#4	7'-0"	—
D(E)		153	102		102	102	51		#4	2'-4"	—
D1 (E)						51			#6	4'-2"	—
D2 (E)						51			#4	3'-5"	—
D3 (E)				51					#4	3'-2"	—
D4 (E)				51					#5	3'-7"	—
E (E)	6	6	6	8	8	6	6	8	#5	2'-10"	—

* FOR ONE BEAM ONLY
Bar E(E) shown on Sheet 12
Beam types are shown on Sheet 6

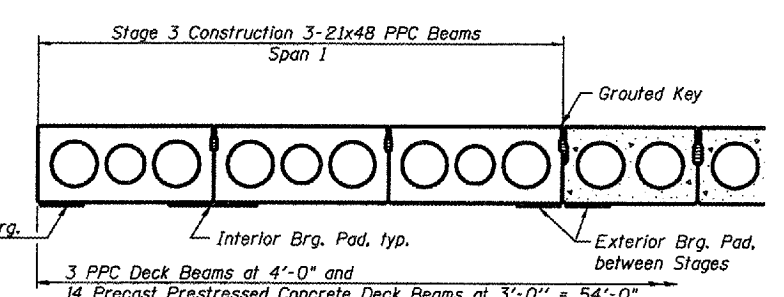
NOTES (SHEET 9, 10, 11)

1. Prestressing steel shall be uncoated high strength, low relaxation 7-wire strand, Grade 270.
2. The nominal diameter shall be 1/2" and the nominal cross-sectional area shall be 0.153 sq. in.
3. Lifting loops shall be 3 - 1/2" φ-270 ksi strands, as shown.
4. The 1" φ rods in the transverse tie assembly shall be tightened to a snug fit and the threads set. Pockets that receive transverse tie bar on outside shall be filled with grout after transverse tie assembly is in place.
5. Non prestressing steel shall conform to AASHTO A706 Grade 60. (IL Modified)
6. The bearing seat surfaces shall be adjusted by shimming to assure firm and even bearing. Two 1/8" fabric adjusting shims of the dimensions of the Exterior Bearing Pad shall be provided for each bearing.
7. Keyway surfaces shall be cleaned to remove form oil or other bond breaking material prior to shipment of the beams. Cleaning shall be done by sandblasting the keyway areas between top of the beam and the bottom edge of the key.
8. Corrosion Inhibitor, as covered in section 1021 of the Standard Specifications, shall be used in the concrete for precast prestressed concrete deck beams.
9. Required Release Strength, f'ci, shall be 4000 p.s.i.
10. The top surface of the beams shall be finished according to the IDOT Manual for Fabrication of Prestressed Concrete Products.

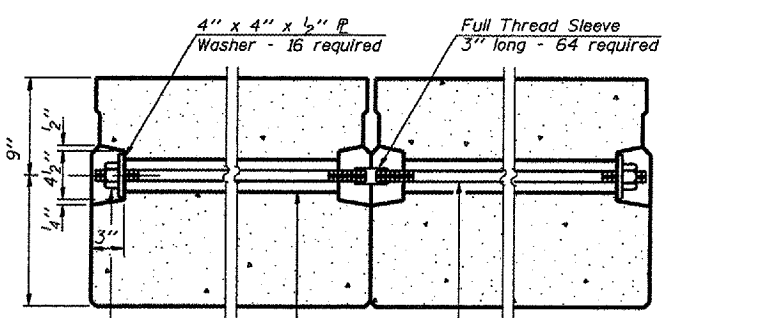


21"x36" TYPICAL SECTION

1/2" φ Strands, Each Strand Stressed to 30,900 Lbs.
7-Strands 1 3/4" up, 6-Strands 3/4" up, 2-Strands 9" up
Note: Place strands symmetrically about centerline of beam.



HALF CROSS SECTION

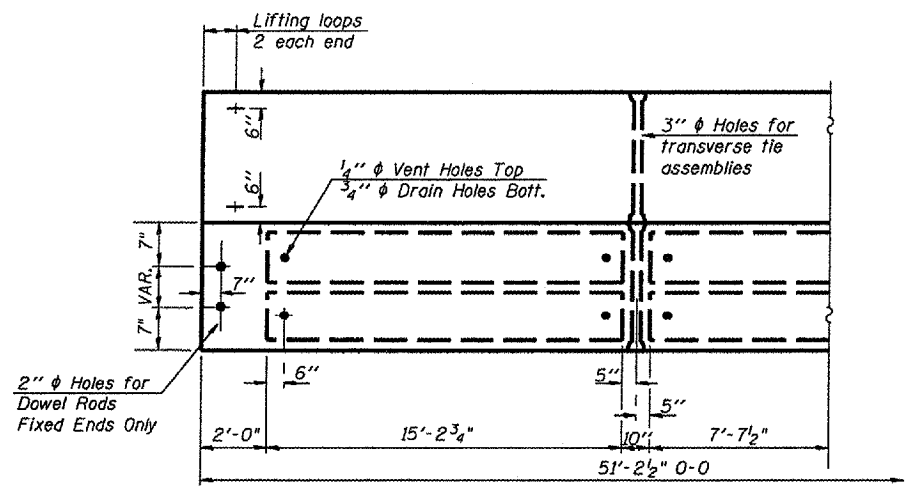


TYPICAL TRANSVERSE TIE ASSEMBLY

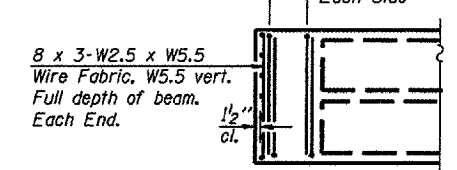
BILL OF MATERIAL

Precast Prestressed Concrete Deck Beams (21" Depth)	SQ FT	5,530
-----------------------------------------------------	-------	-------

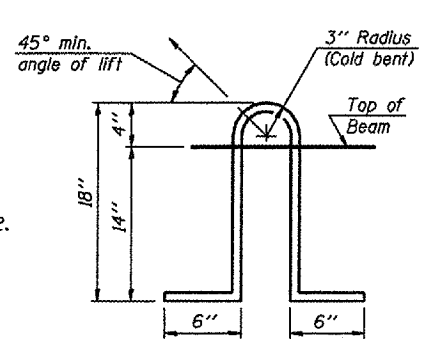
21" BEAM DETAILS SPAN 1
F.A.P. 317 (U.S. RTE. 24)
STRUCTURE 072-0134
PEORIA COUNTY, ILLINOIS
STATION 187+10.02



PLAN



END PLAN



LIFTING LOOP DETAIL

DESIGNED	- JRG
CHECKED	- MJB
DRAWN	- ACJ
CHECKED	- JRG/JFS

PD-3-S 10-22-04