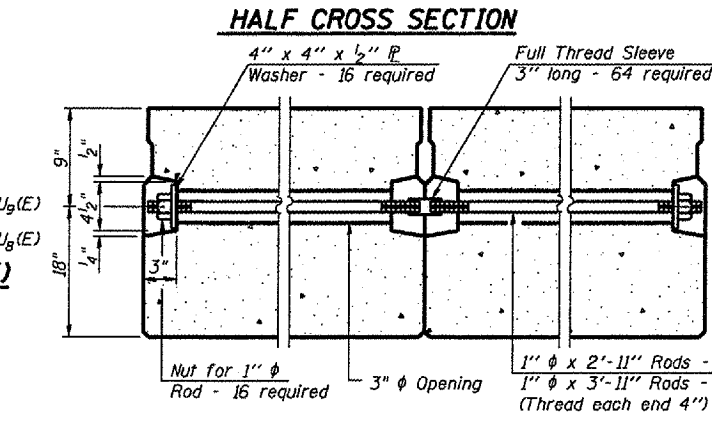
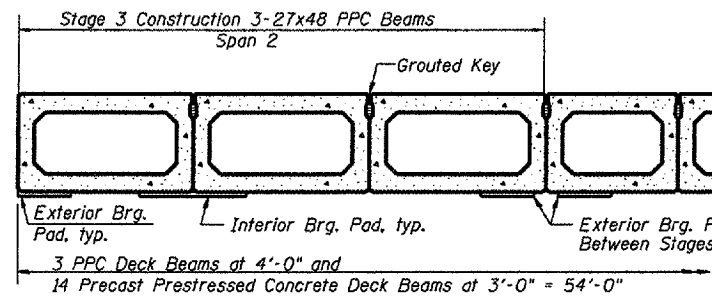


ROUTE NO.	SECTION	COUNTY	SHEETS	DATE	SHEET NO.
F.A.P. 317	(488)1	PEORIA	28	22	16 SHEETS
FED. ROAD DIST. NO. 7	ILLINOIS	FED. AID PROJECT			

D-94-062-05

STATE OF ILLINOIS  
DEPARTMENT OF TRANSPORTATION



TYPICAL TRANSVERSE TIE ASSEMBLY

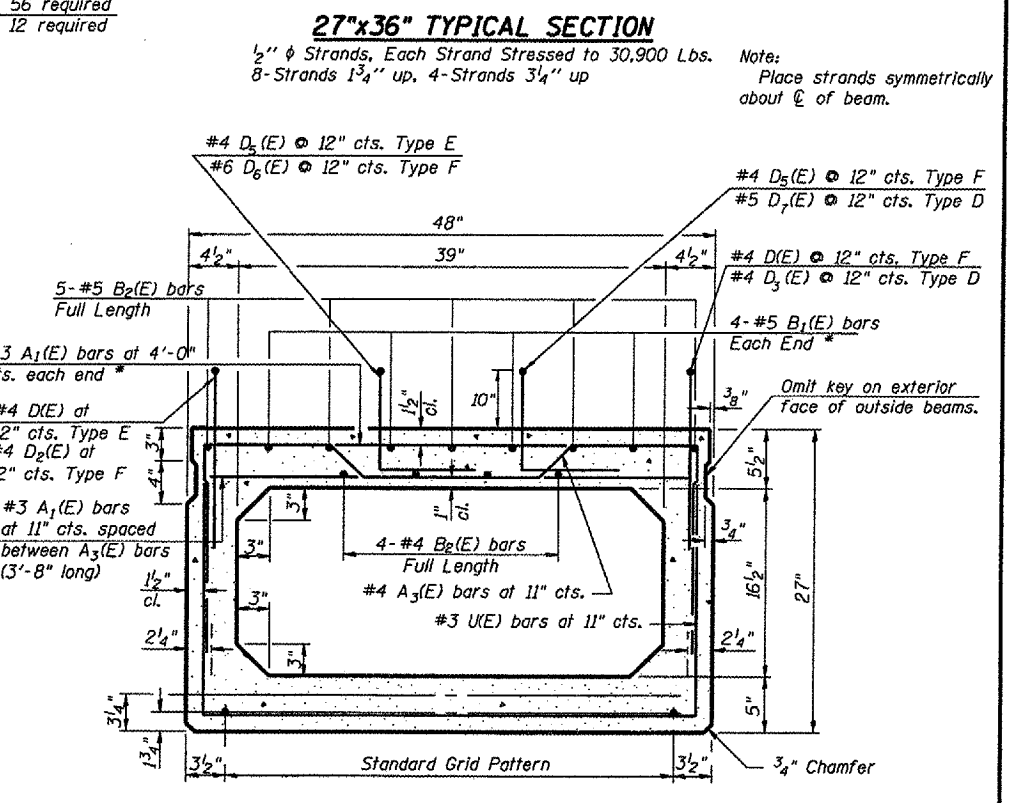
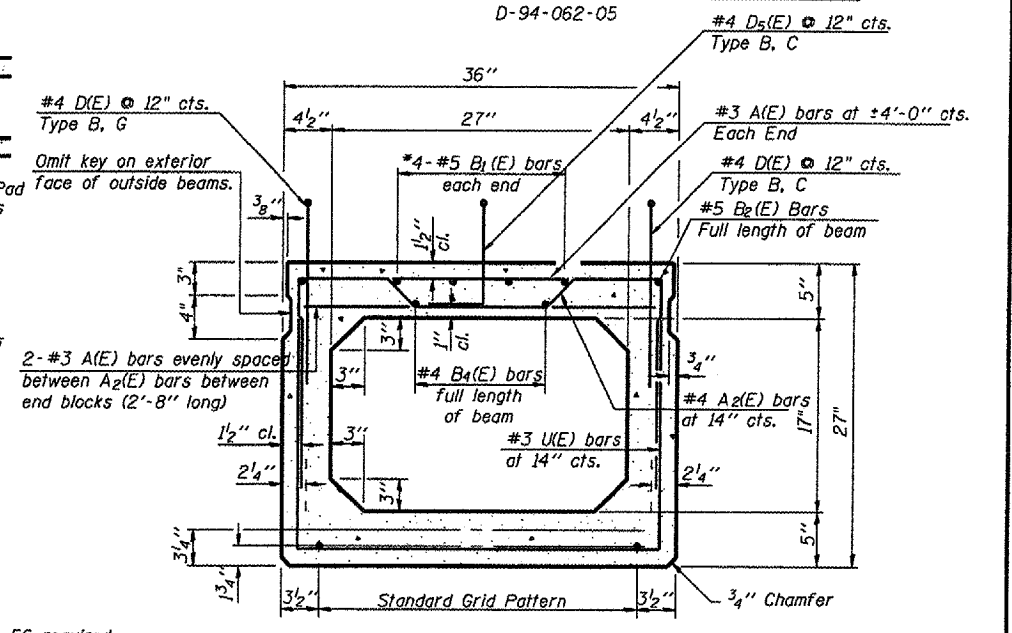
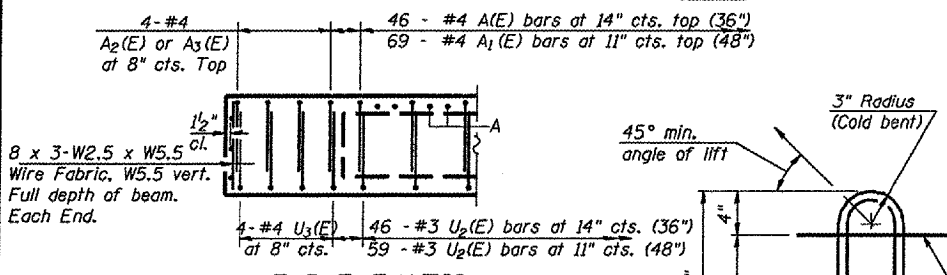
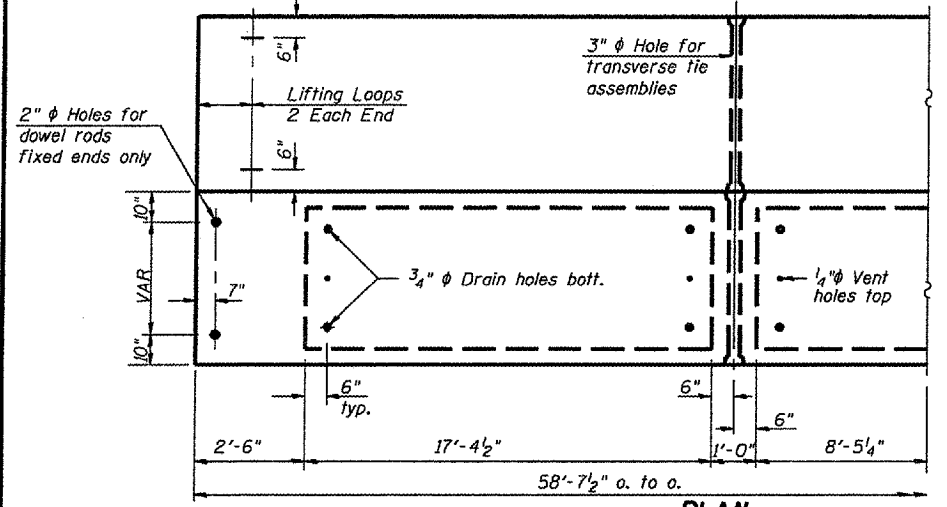
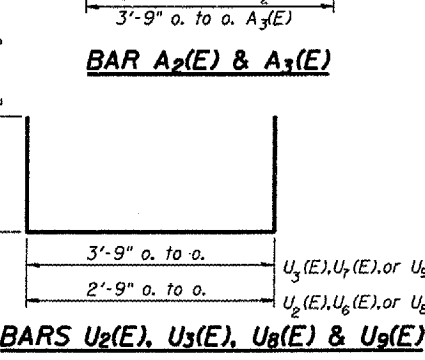
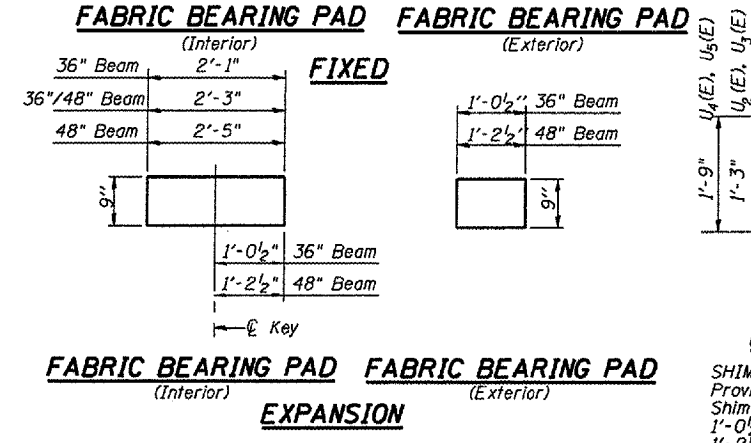
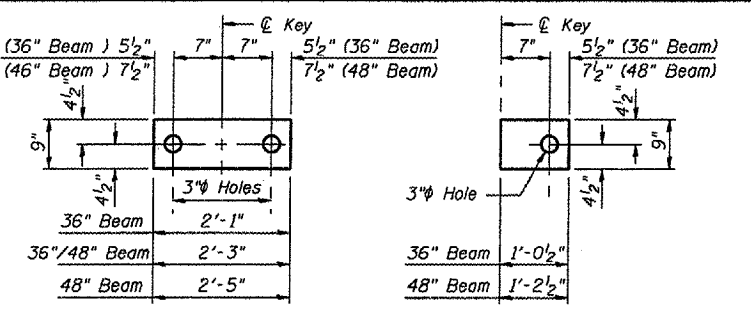
\* BAR LIST

No. Beams	Beam Type A	Beam Type B	Beam Type C	Beam Type D	Beam Type E	Beam Type F	Beam Type G	Beam Type H	Size	Length	Shape
A <sub>1</sub> (E)	118	118	118	118	118	118	118	118	#3	2'-8"	—
A <sub>2</sub> (E)	54	54	54				54		#4	6'-1"	—
A <sub>3</sub> (E)				67	67	67	67		#4	7'-1"	—
B <sub>2</sub> (E)	2	2	2	5	5	5	2	5	#5	58'-4"	—
B <sub>3</sub> (E)	8	8	8	8	8	8	8	8	#5	11'-8"	—
B <sub>4</sub> (E)	2	2	2	4	4	4	2	4	#5	58'-4"	—
C(E)	5	5	5	5	6	6	6	5	#5	3'-0"	—
U <sub>2</sub> (E)	46	46	46				46		#3	34'-0"	—
U <sub>3</sub> (E)	8	8	8				8		#4	4'-0"	—
U <sub>4</sub> (E)				59	59	59		59	#3	5'-6"	—
U <sub>5</sub> (E)				8	8	8		8	#4	5'-6"	—
D <sub>1</sub> (E)		116	58		58	58	58		#4	2'-4"	—
D <sub>2</sub> (E)							58		#6	3'-5"	—
D <sub>3</sub> (E)				58					#4	3'-2"	—
D <sub>5</sub> (E)		58	58		58	58			#4	2'-4"	—
D <sub>6</sub> (E)						58			#6	4'-2"	—
D <sub>7</sub> (E)				58					#5	3'-7"	—
E <sub>1</sub> (E)	6	6	6	8	8	8	6	8	#5	2'-6"	—

\* FOR ONE BEAM ONLY  
Bars C(E) and E<sub>1</sub>(E) shown on Sheet 12

NOTES

1. See sheet 9 for notes.



DESIGNED	JRG
CHECKED	JFS
DRAWN	ACJ
CHECKED	JRG/JFS

PD-6-S

10-22-04

BILL OF MATERIAL

Precast Prestressed Concrete Deck Beams (27" Depth)	50 FT	6,332
---	-------	-------

27" BEAM DETAILS SPAN 2  
F.A.P. 317 (U.S. RTE. 24)  
STRUCTURE 072-0134  
PEORIA COUNTY, ILLINOIS  
STATION 187+10.02