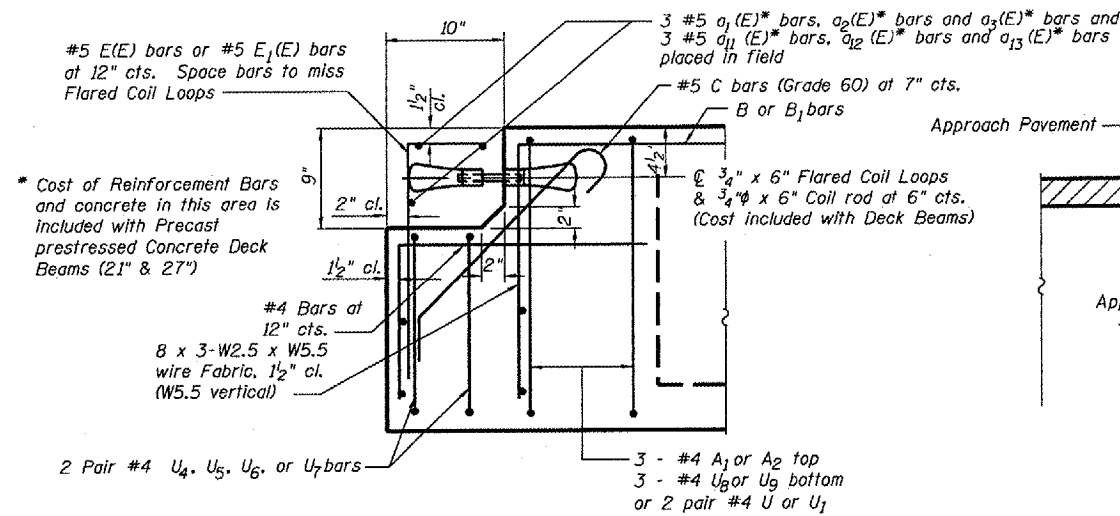


STATE OF ILLINOIS
DEPARTMENT OF TRANSPORTATION

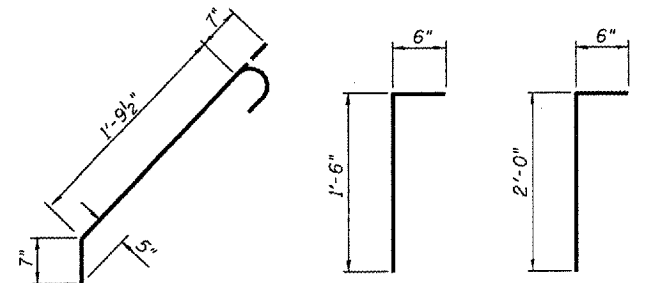
ROUTE NO.	SECTION	COUNTY	DATE	SHEET NO.
F.A.P. 317	(4881)	PEORIA	29 24	12
FED. ROAD DIST. NO. 7	ALTERN.	FED. AID PROJECT		16 SHEETS

D-94-062-05



END OF BEAM (EXP. END)

West Bound Beams 1A, 2A, 3A, 5 thru 18
East Bound Beams 19 thru 32, 34A, 35A, 36A



BAR C
27" Beam only

BAR E(E)
21" Beam only

BAR E1(E)
27" Beam only

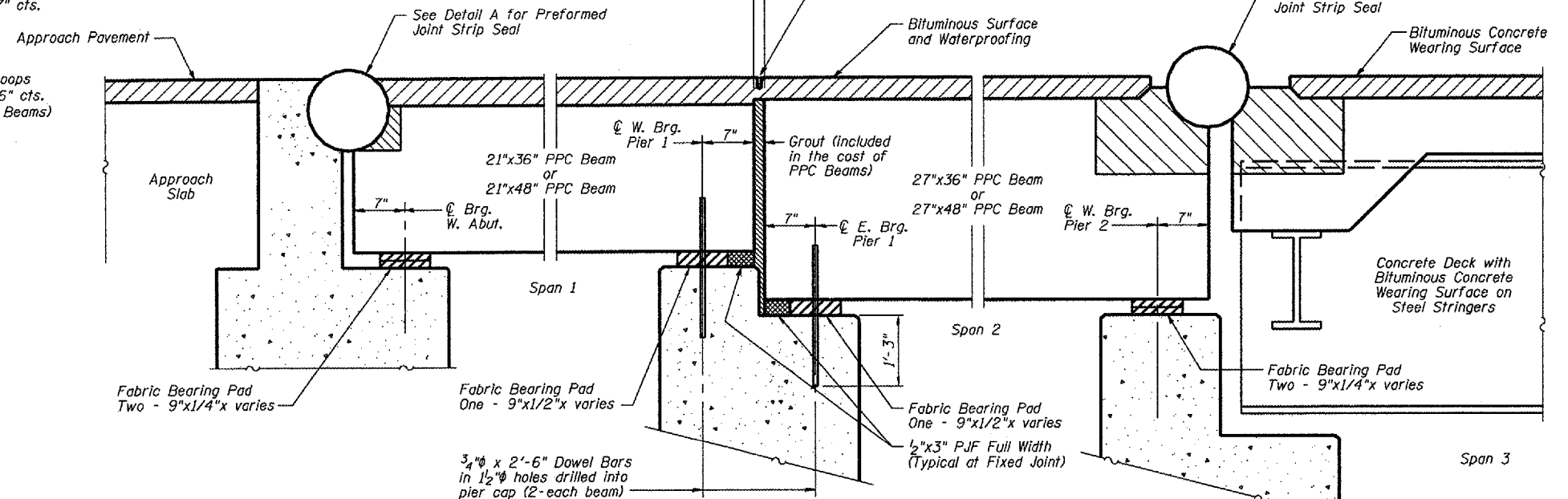
Bar E(E) is shown on the Bar List on sheet 9.
Bar C and Bar E1(E) are shown on the Bar List on sheet 10.

BAR LIST*

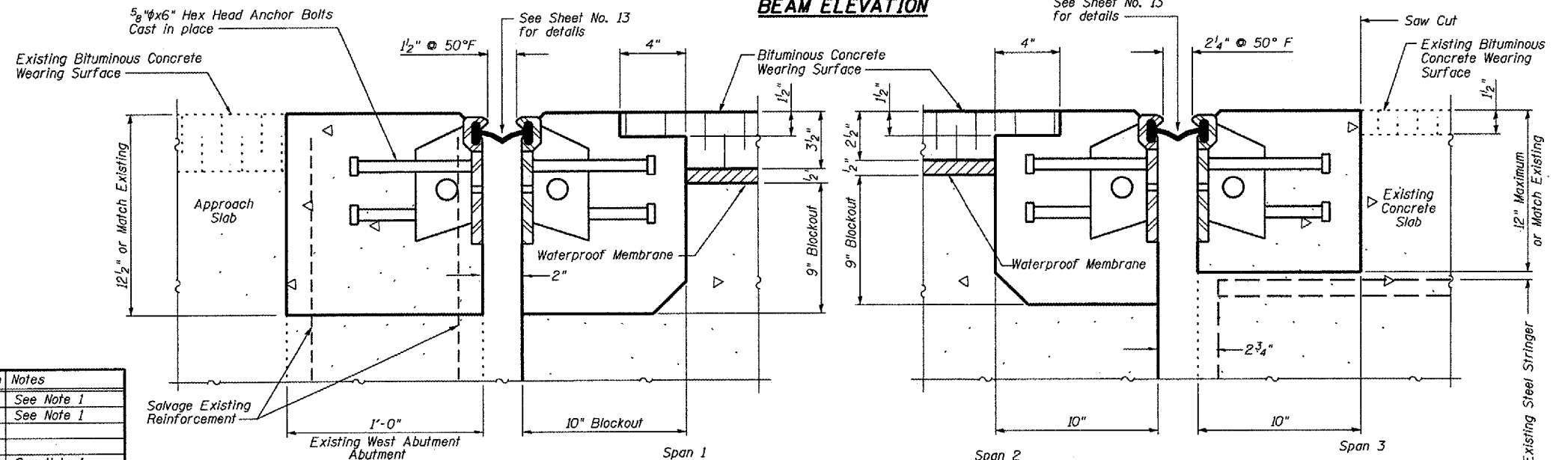
Location	Bar	No.	Size	Length	Shape	Bar Lap Location	Notes
Stage 1 - Westbound	a1(E)	6	#5	23'-10"	—	none	See Note 1
Stage 2 - Westbound	a2(E)	6	#5	10'-9"	—	Beam 11	See Note 1
Stage 3 - Westbound	a3(E)	6	#5	22'-9"	—	Beam 8	
Stage 1 - Eastbound	a11(E)	6	#5	23'-10"	—	none	See Note 1
Stage 2 - Eastbound	a12(E)	6	#5	15'-6"	—	Beam 26	See Note 1
Stage 3 - Eastbound	a13(E)	6	#5	18'-0"	—	Beam 31	

NOTE:
1. The blockouts in Beams 11 and 26 shall have 1 linear foot of the concrete for the expansion device placed during Stage 1 and 2 linear feet of concrete placed during Stage 2 to allow for bar splices in the "a (E)" bars. Similarly, Beam 8 shall have 1 linear foot of concrete placed during Stage 2 and the remainder placed during Stage 3.

DESIGNED	- JRG
CHECKED	- JFS
DRAWN	- ACJ
CHECKED	- JRG/JFS



BEAM ELEVATION



DETAIL "A"

DETAIL "B"

NOTE:
Demolition of the existing joint seal along with portions of the existing abutment, sidewalk and median are included in the Preformed Joint Strip Seal.

NOTE:
Demolition of the existing joint seal along with portions of the existing asphalt surface and concrete deck, sidewalk and median are included in the Preformed Joint Strip Seal.

MISCELLANEOUS DETAILS
F.A.P. 317 (U.S. RTE. 24)
STRUCTURE 072-0134
PEORIA COUNTY, ILLINOIS
STATION 187+10.02