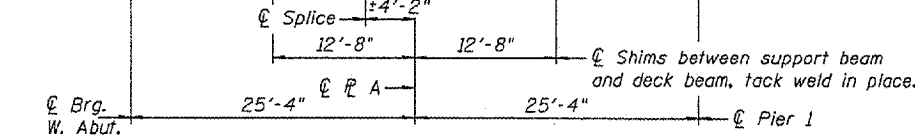
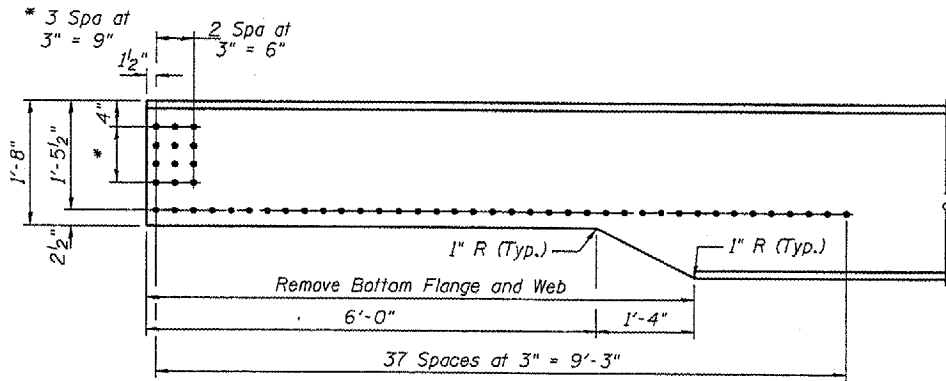
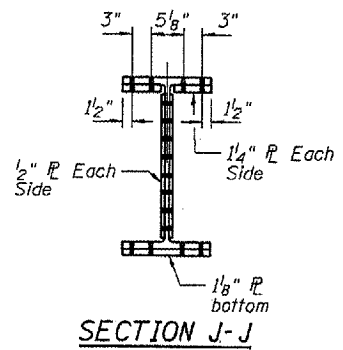
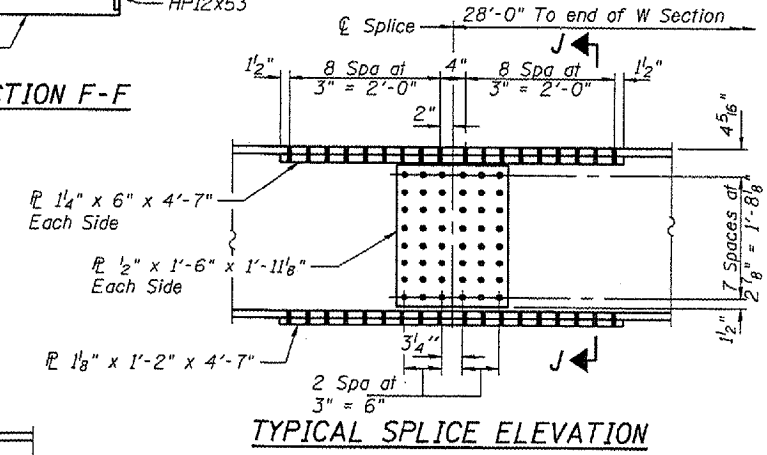
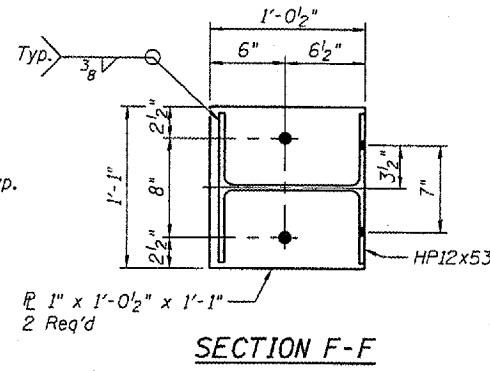
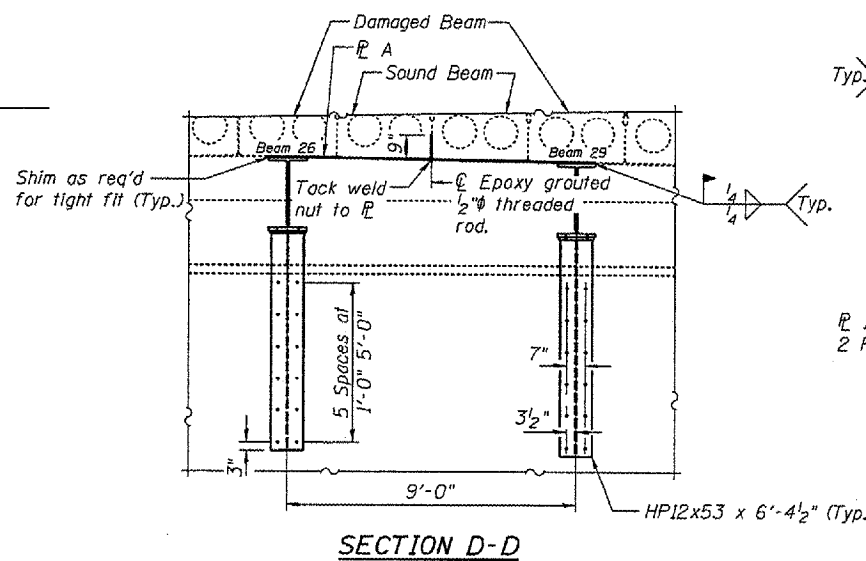
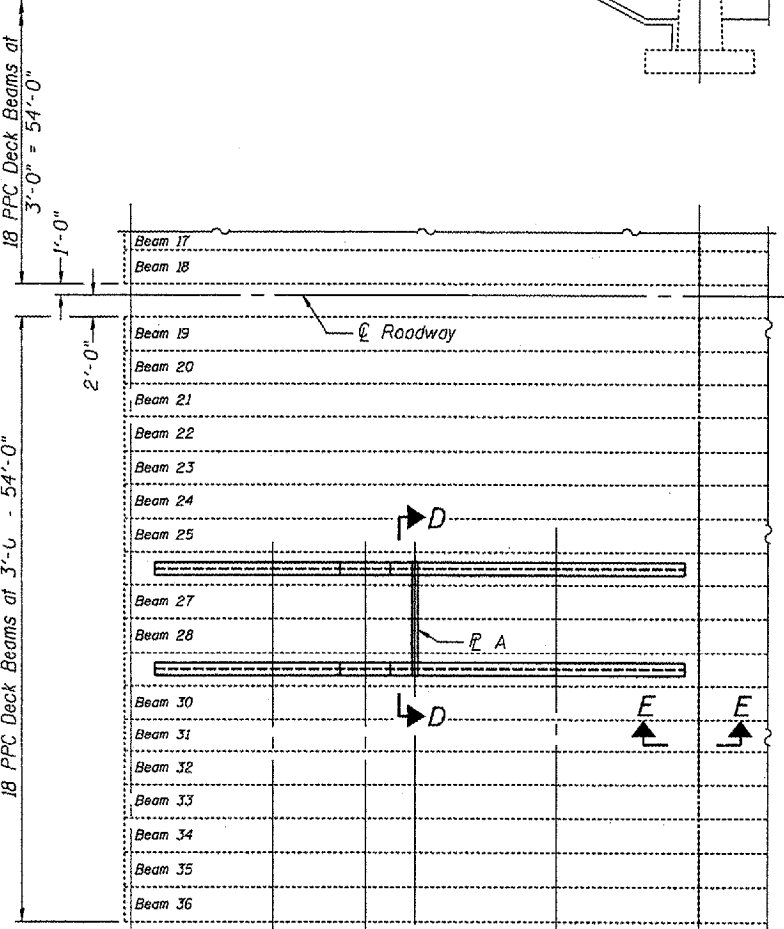
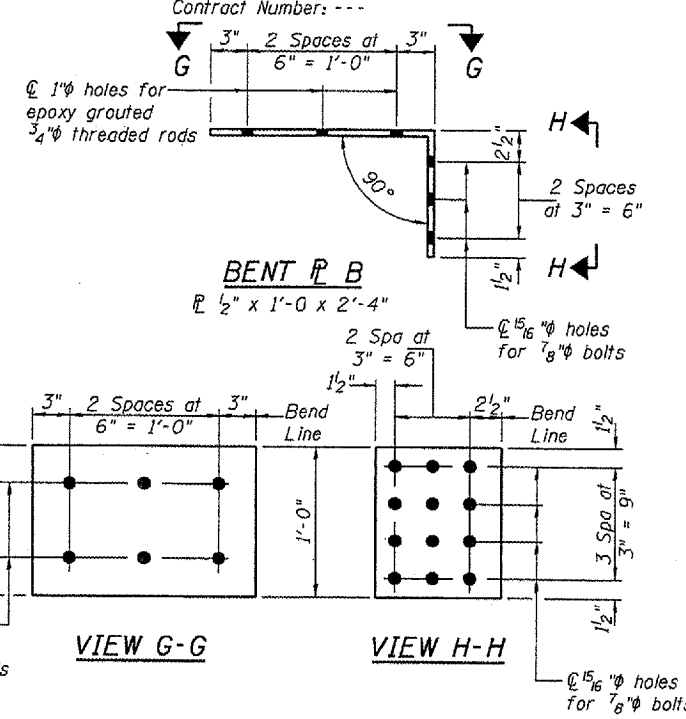
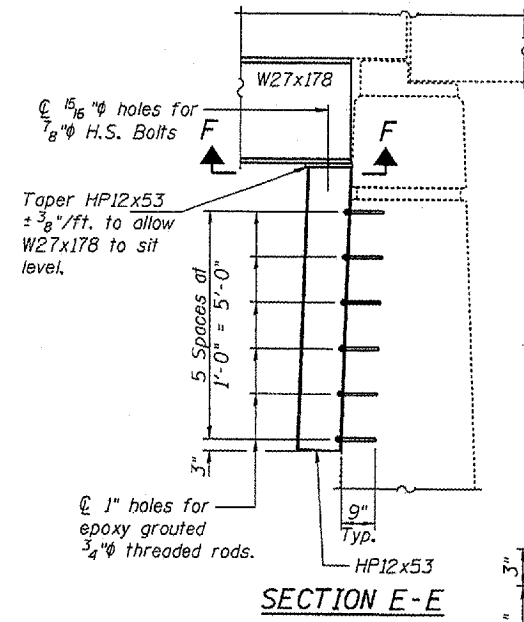
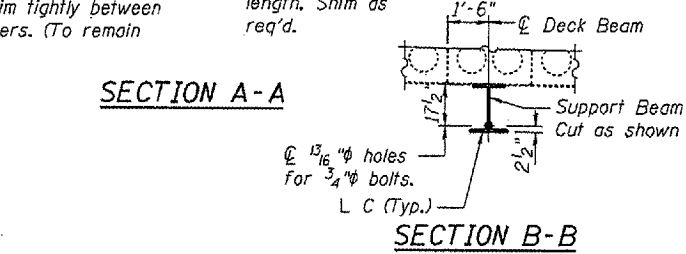
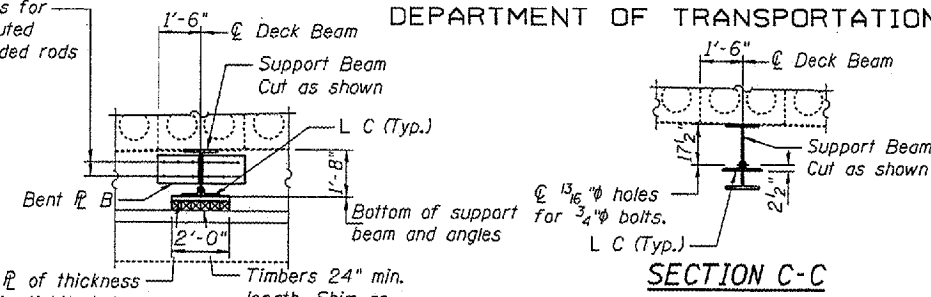
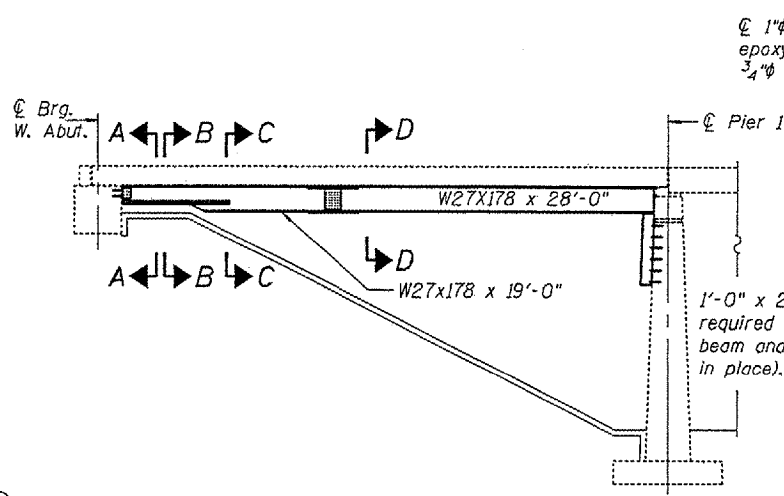


STATE OF ILLINOIS
DEPARTMENT OF TRANSPORTATION

ROUTE NO.	SECTION	COUNTY	DATE	SHEET	SHEET NO. 1
		Peoria	29	29	1 SHEETS
Contract Number: ---					



TOTAL BILL OF MATERIAL

ITEM	UNIT	QUANTITY
Furnishing and Erecting Structural Steel	Pound	21250

DESIGNED	D.A.B.	EXAMINED	
CHECKED	A.J.B.	PASSED	ENGINEER OF STRUCTURAL SERVICES
DRAWN	Drew Christopher		ENGINEER OF BRIDGES AND STRUCTURES
CHECKED	D.A.B. A.J.B.		

Expires: November 30, 2008

GENERAL NOTES

All structural steel shall conform to AASHTO Classification M-270 Gr. 36, unless otherwise noted.

Plan dimensions and details relative to existing plans are subject to routine variations. The Contractor shall field verify existing dimensions and details affecting new construction and make necessary approved adjustments prior to construction or ordering of materials. Such variations shall not be cause for additional compensation for a change in scope of the work, however, the Contractor will be paid for the quantity actually furnished based upon the unit price bid for the work.

See Section 584 of the Std. Specs. for "Epoxy Grouting of Threaded Rods".

The cost of epoxy grouting threaded rods shall be included with Furnishing and Erecting Structural Steel.

Fasteners shall be high strength bolts. Bolts 3/4", open holes 1 1/2", unless otherwise noted.

Fasteners shall be high strength bolts. Flange splice holes shall be 1 1/2" for 3/4" bolts. Web splice holes shall be 1 1/2" for 3/4" bolts.

FOR INFORMATION ONLY

PLAN, ELEVATION AND REPAIR DETAILS
F.A.I. RT. 474
PEORIA COUNTY
SN 072-0134