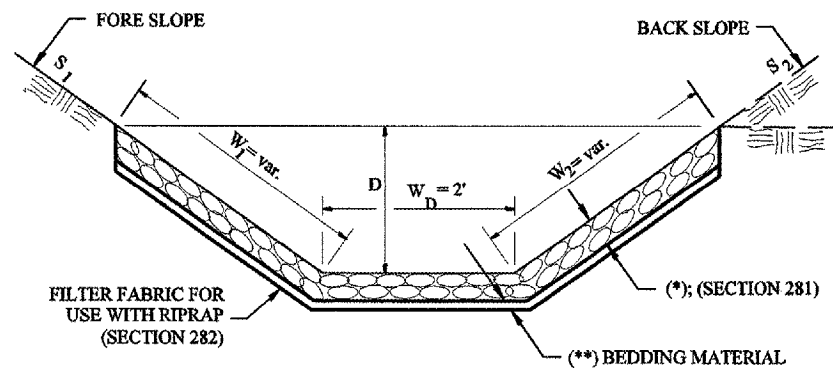


F.A.P. RTE.	SECTION	COUNTY	TOTAL SHEETS	SHEET NO.
687	*	Fulton	37	18
STA.		TO STA.		
FED. ROAD DIST. NO.		ILLINOIS	FED. AID PROJECT	

* D4 CULVERT EXT/ REPAIR 2007

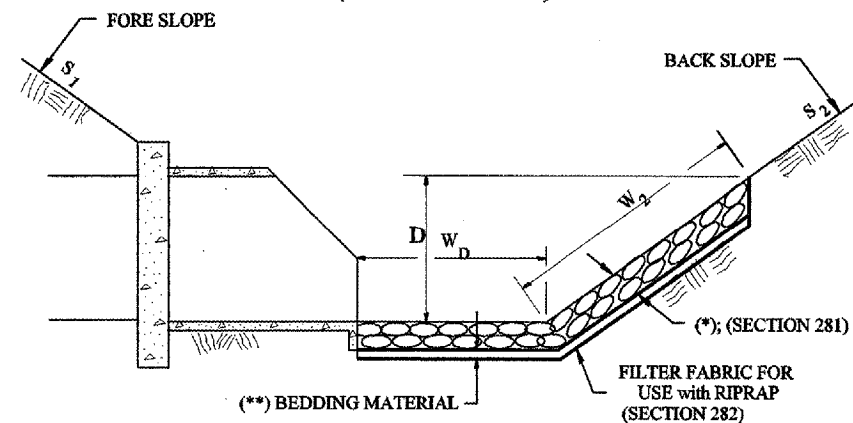
**CASE 1
(DITCH)**



Stone Riprap, Class A-4				
LOCATION	WIDTH (1)	LENGTH	RIPRAP	FABRIC
STA TO STA	lin ft	lin ft	Sq Yd	Sq Yd
Rt Sta. 589+26 to 591+13	10.3 - 18.6	238.2	284.4	284.4
Rt Sta. 591+23 to 592+57	16.9 - 10.4	176.8	219.6	219.6
Lt Sta. 589+99 to 591+92	9.5 - 10.4	281.9	315.3	315.3
Lt Sta. 592+02 to 592+78	10.4 - 11.3	172.0	208.2	208.2
TOTAL			1,027.5	1,027.5

(1) WIDTH = $W_1 + W_2 + W_D$

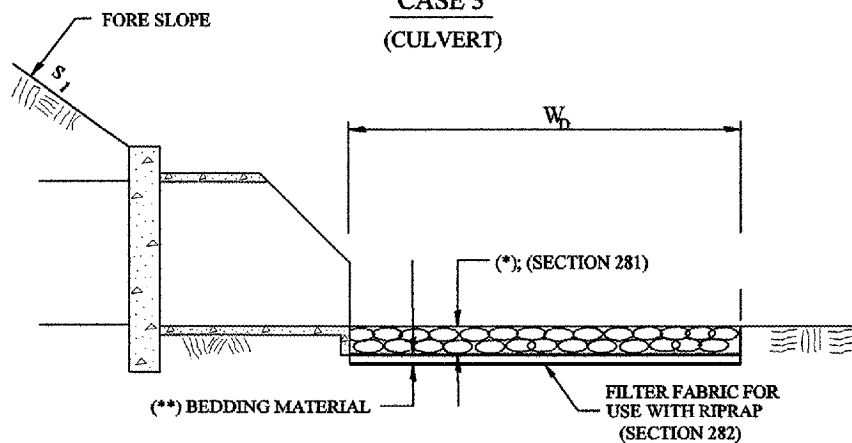
**CASE 2
(CULVERT & SLOPE)**



Stone Riprap, Class A-4				
LOCATION	WIDTH (1)	LENGTH	RIPRAP	FABRIC
STA TO STA	lin ft	lin ft	Sq Yd	Sq Yd
TOTAL				

(1) WIDTH = $W_2 + W_D$

**CASE 3
(CULVERT)**



Stone Riprap, Class A-4				
LOCATION	WIDTH (1)	LENGTH	RIPRAP	FABRIC
STA TO STA	lin ft	lin ft	Sq Yd	Sq Yd
Rt Sta. 591+13 to 591+23	10.0'	23.08'	25.6	25.6
Lt Sta. 591+92 to 592+02	10.0'	15.4'	17.1	17.1
TOTAL			42.7	42.7

(1) WIDTH = W_D

All slope ratios are expressed as units of vertical displacement to units of horizontal displacement (V:H).
All dimensions are in millimeters (inches) unless otherwise noted.

ILLINOIS DEPARTMENT OF TRANSPORTATION

SPECIAL DETAIL SHEET

RIPRAP DITCH FOR EROSION PROTECTION

CADD DETAIL 281001-D4
SCALE: NOT DRAWN TO SCALE

DRAWN BY CADD
CHECKED BY

DATE	REVISIONS	BY
1-1-97	RENUM. A-12.02, NEW REVISION BOX	T.P.
12-1-97	CORRECT FILTER FABRIC LEADER ARROW	J.A.

- Designer NOTES:
1. Designer to modify this Special Detail Sheet, as needed for inclusion in plans.
 2. (*) Designer to specify pay item including material, quality, and gradation.
 3. (**) Designer to specify thickness of bedding material.
 4. Include District Special Provision if needed.

SSDATESS