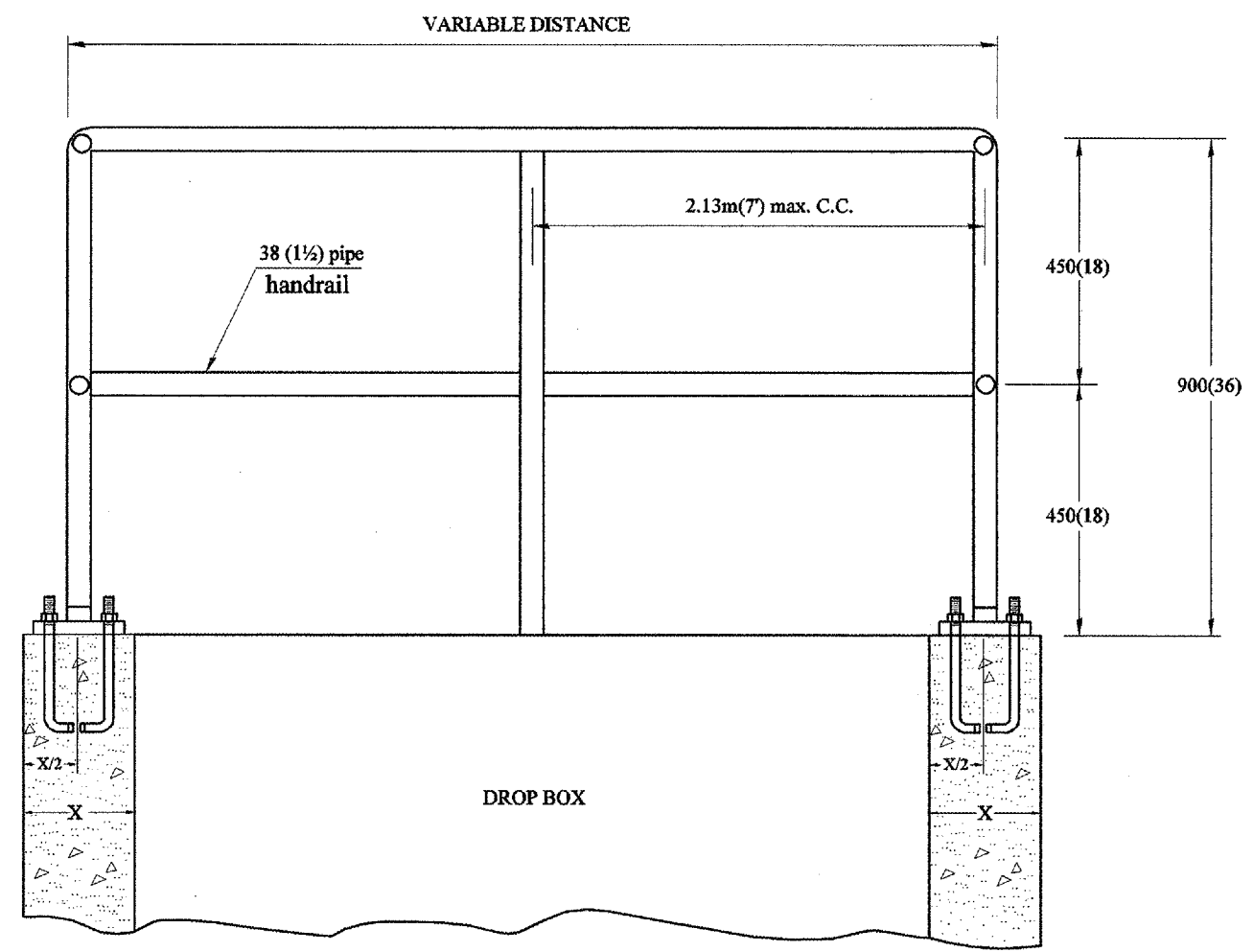
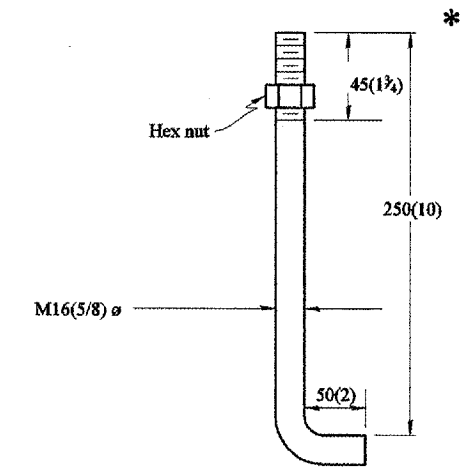
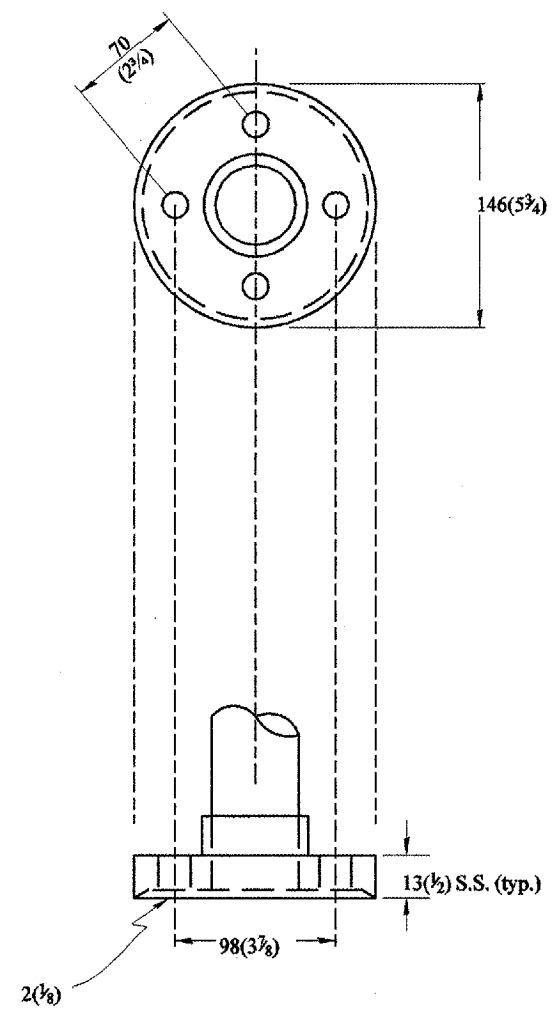


CONTRACT NO. 68504			
F.A.P. RTE.	SECTION	COUNTY	TOTAL SHEET NO.
687	.	Fulton	37 19
STA.		TO STA.	
FED. ROAD DIST. NO. 4	ILLINOIS	FED. AID PROJECT	
* D4 CULVERT EXT/REPAIR 2007			



20(∅) CORED HOLES 3/4" CORED HOLES FOR ANCHOR BOLTS



**BUILT-IN ANCHOR BOLT**  
**M16 (5/8) ∅, 300 (12) LONG**  
 (SEE GENERAL NOTE 3)

**GENERAL NOTES:**

1. Article 510.03 of the Standard Specifications shall apply.
2. Connection of railing to posts shall be made be continuous welding or with using standard pipe fitting.
3. An equivalent epoxy anchor stud can be used in place of anchor shown. Anchor bolt holes shall be 20 (3/4) in diameter and 125 (5) deep. They shall be predrilled with an electric hammer drill to a depth of 4 (100) prior to use a pneumatic drill for the remaining 4 (100). A two component encapsulated epoxy such as "Parabond" or an equivalent shall be used. Installation shall be according to Manufactures's recommendations.
4. The pipe handrail shall be galvanized by the hot dip process.

All dimensions are in millimeters (inches) unless otherwise noted.

\$\$\$DATESS

DATE	REVISIONS	BY
1-1-97	RENUM. B-11.01, METRICS, NEW REVISION BOX, REVISED TITLE BOX, REVISED NOTES	T.P.

ILLINOIS DEPARTMENT OF TRANSPORTATION	
DISTRICT CADD STANDARD	
DETAIL OF PIPE HANDRAIL FASTENING	
CADD STANDARD 510001-D4	DRAWN BY CADD
SCALE: NOT DRAWN TO SCALE	CHECKED BY
DATE \$\$\$DATESS	

\*DGN-ONLY\*