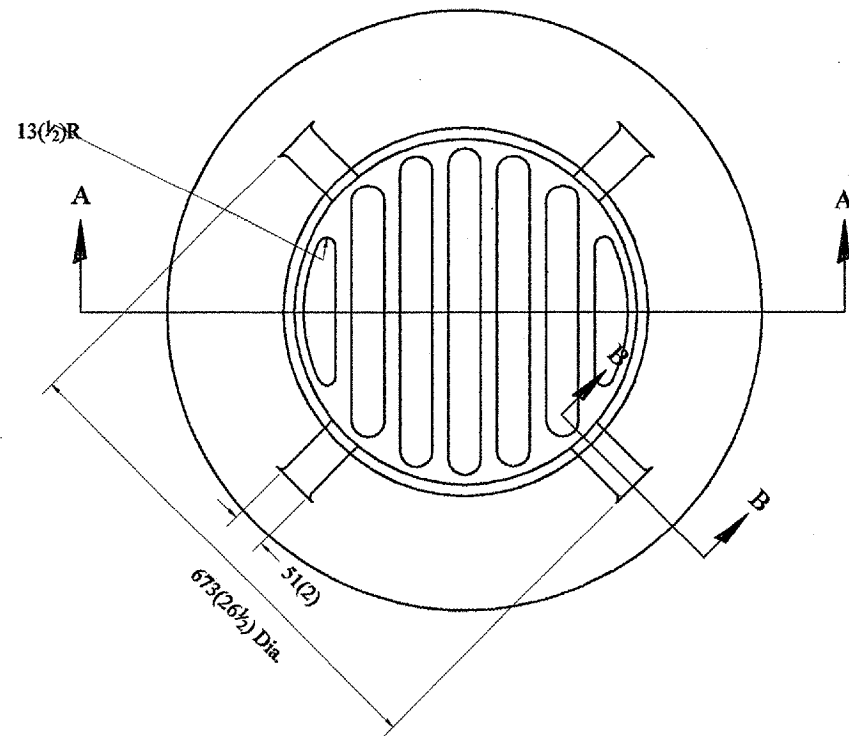
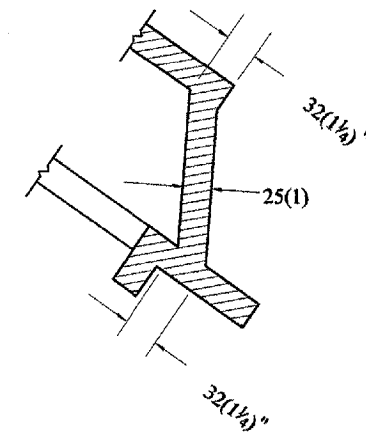


F.A.P. RTE.	SECTION	COUNTY	TOTAL SHEETS	SHEET NO.
687	*	Fulton	37	21
STA.		TO STA.		
FED. ROAD DIST. NO. 4	ILLINOIS	FED. AID PROJECT		

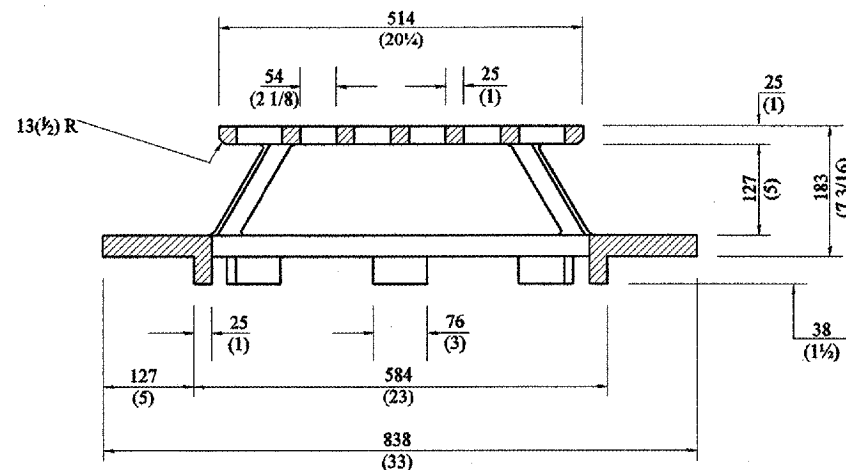
\* D4 CULVERT EXT/REPAIR 2007



PLAN



SECTION B - B



SECTION A - A

GENERAL NOTES

1. MATERIAL - Cast Gray Iron  
Weight 95 kg (209 lbs)

All dimensions are in millimeters (inches) unless otherwise noted.

ILLINOIS DEPARTMENT OF TRANSPORTATION  
DISTRICT CADD STANDARD

TYPE 37 GRATE

CADD STANDARD 604301-D4

SCALE NOT TO SCALE  
DATE \$\$\$DATE\$\$

DRAWN BY CADD  
CHECKED BY

DATE	REVISIONS	BY
1-1-97	RENUM. B-10.02, NEW REVISION BOX	T.P.

DESIGNER NOTE:  
1. INCLUDE DISTRICT SPECIAL PROVISION.

\$\$\$DATE\$\$\$