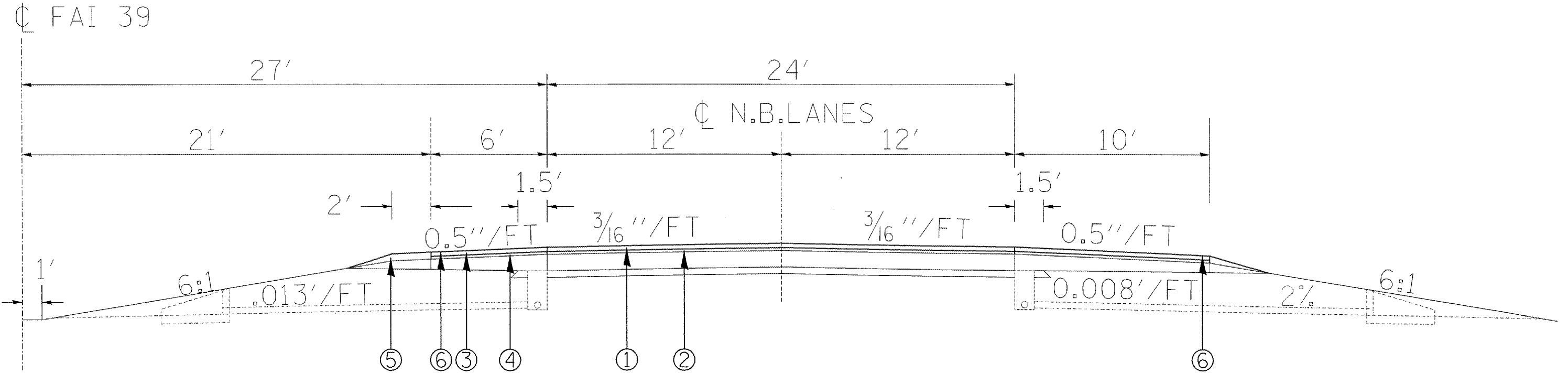


F.A.P. RTE.	SECTION	COUNTY	TOTAL SHEETS	SHEET NO.
*	(102-2,3RS	WOODFORD	15	6
STA.	TO STA.			
FED. ROAD DIST. NO.	ILLINOIS	FED. AID PROJECT		
* FAP 412 ROUTE 1-39/US51				



- ① PROPOSED POLYMERIZED HOT-MIX ASPHALT SURFACE COURSE, MIX "E", N105, 1.5"
- ② PROPOSED POLYMERIZED HOT-MIX ASPHALT BINDER COURSE, IL-19.0, N105, 2.25"
- ③ PROPOSED HOT-MIX ASPHALT SURFACE COURSE, MIX "C", N50, 1.5"
- ④ PROPOSED HOT-MIX ASPHALT BINDER COURSE, IL-19.0, N50, 2.25"
- ⑤ PROPOSED AGGREGATE SHOULDERS, TYPE B
- ⑥ SHOULDER RUMPLE STRIP

REVISIONS	
NAME	DATE

ILLINOIS DEPARTMENT OF TRANSPORTATION

N.B. TYPICAL SECTION

SCALE: VERT.
HORIZ.
DATE

DRAWN BY
CHECKED BY