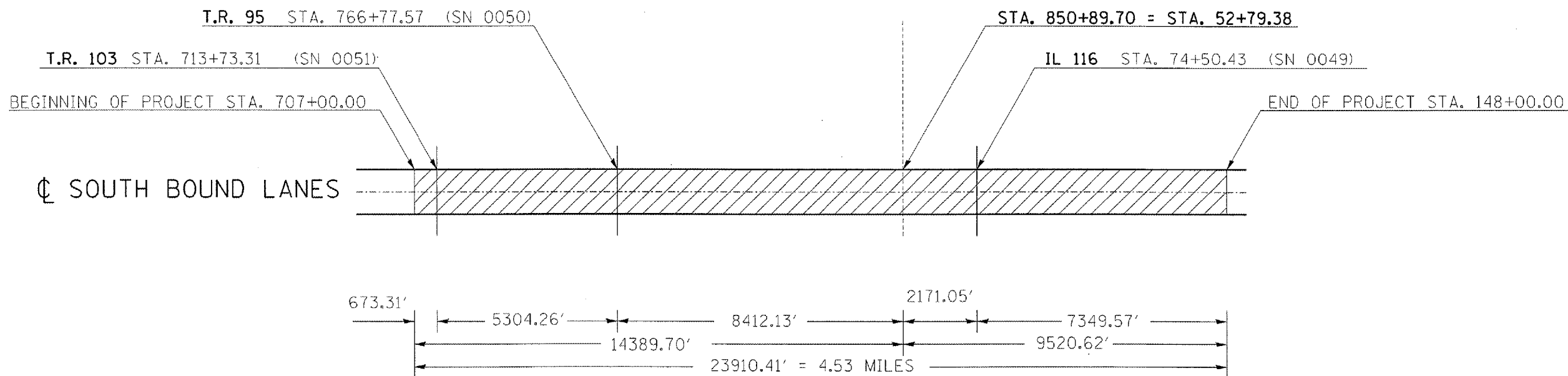
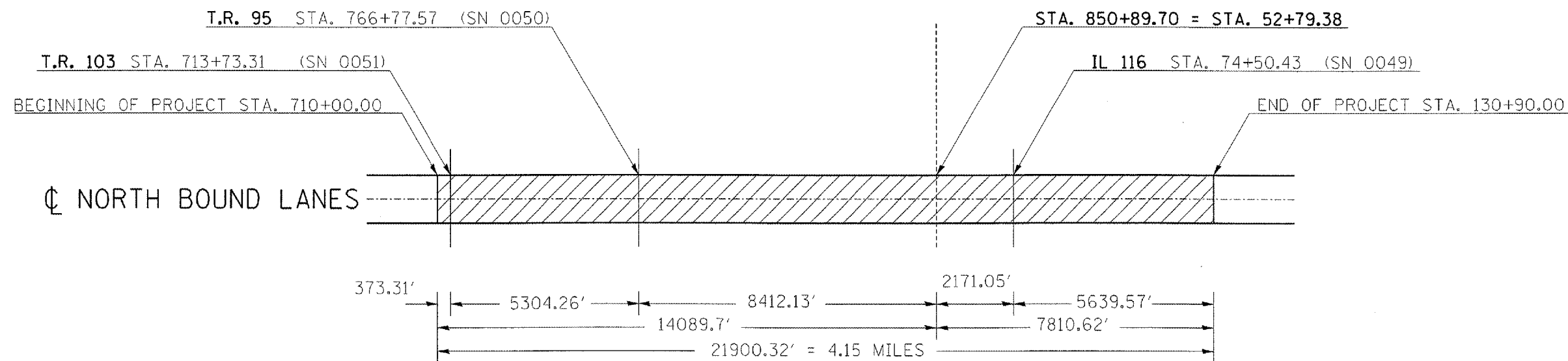


| | | | | |
|---------------------|-------------|---------------------------|--------------|-----------|
| F.A.P. RTE. | SECTION | COUNTY | TOTAL SHEETS | SHEET NO. |
| • | (102-2.3)RS | WOODFORD | 15 | 9 |
| STA. | | TO STA. | | |
| FED. ROAD DIST. NO. | | ILLINOIS FED. AID PROJECT | | |

• FAP 412
ROUTE 1-39/US51



☉ FAI 39



OVERLAY

PLOT DATE : *DATES*
FILE NAME : *FILEL*
PLOT SCALE : *SCALE*
USER NAME : *USER*

| REVISIONS | |
|-----------|------|
| NAME | DATE |
| | |
| | |
| | |
| | |
| | |
| | |
| | |
| | |
| | |
| | |

ILLINOIS DEPARTMENT OF TRANSPORTATION

LINE DIAGRAM

SCALE: VERT.
HORIZ.
DATE

DRAWN BY
CHECKED BY