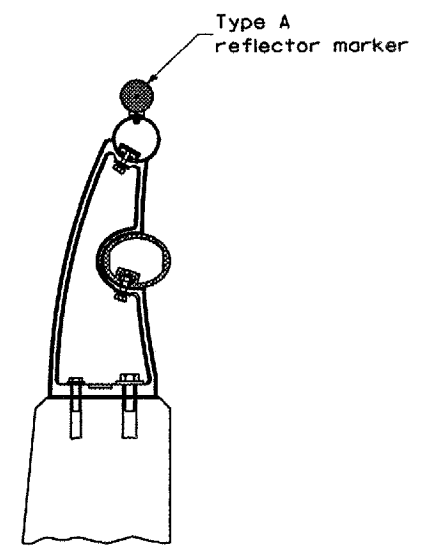
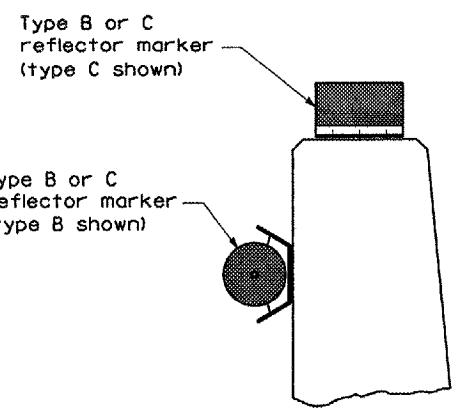


F.A.P. RTE.	SECTION	COUNTY	TOTAL SHEETS	SHEET NO.
685		McDONOUGH		24
STA.	TO STA.			
FED. ROAD DIST. NO. ILLINOIS FED. AID PROJECT				

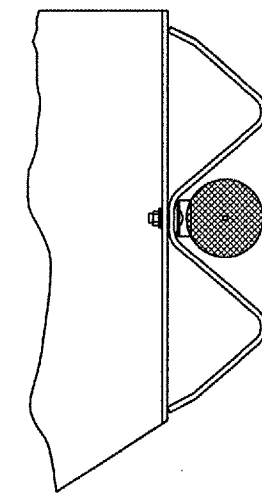
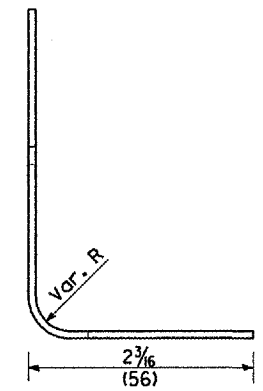
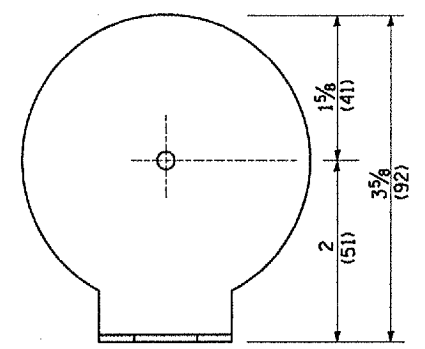
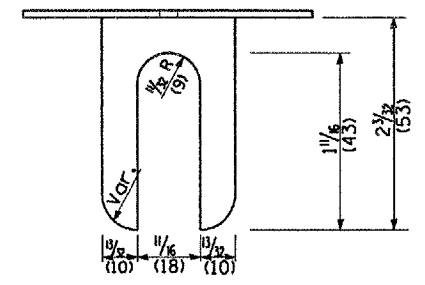


TYPICAL MOUNTING DETAIL FOR BRIDGE RAIL REFLECTOR



TYPICAL MOUNTING DETAIL FOR BARRIER WALL REFLECTOR

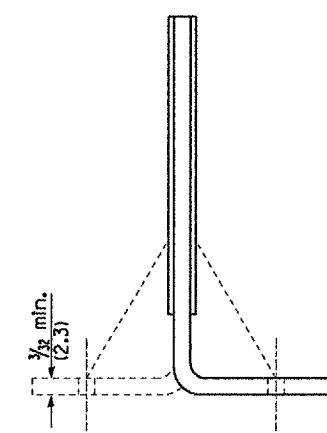
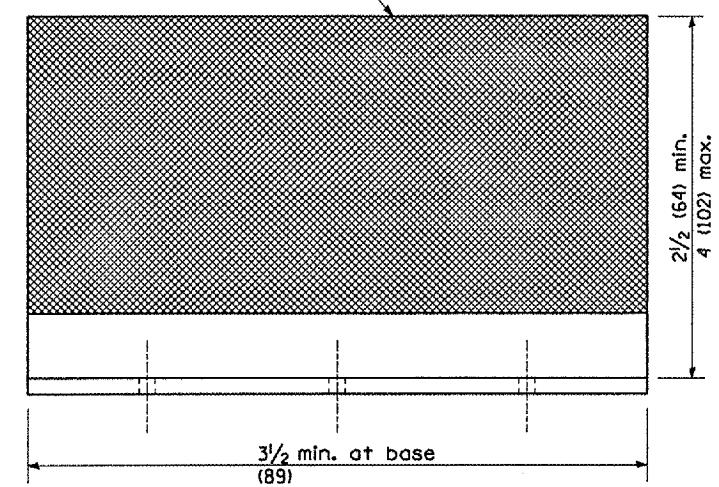
REFLECTOR MOUNTING



TYPICAL GUARDRAIL MOUNTING WITH REFLECTOR MARKER TYPE A

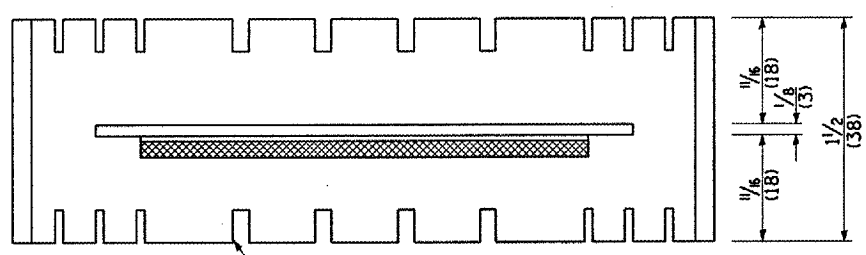
REFLECTOR MARKER TYPE A

Min. reflective area 6 1/2 sq. in. (4,194 mm²) each side. May be rectangular or slight trapezoid.

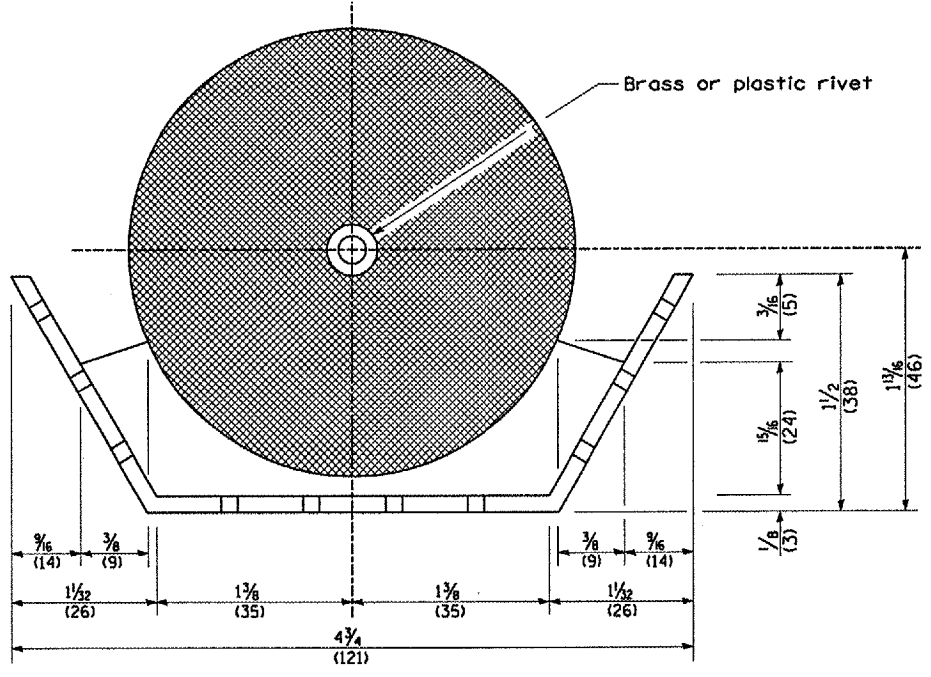


Cross section may be "T" or "L" shaped and may have side supports at ends.

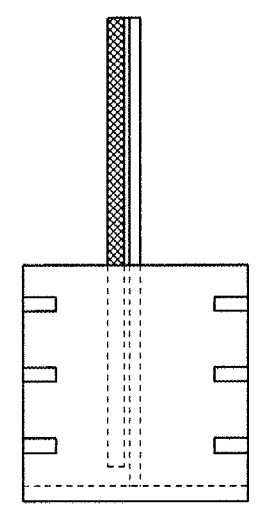
REFLECTORS



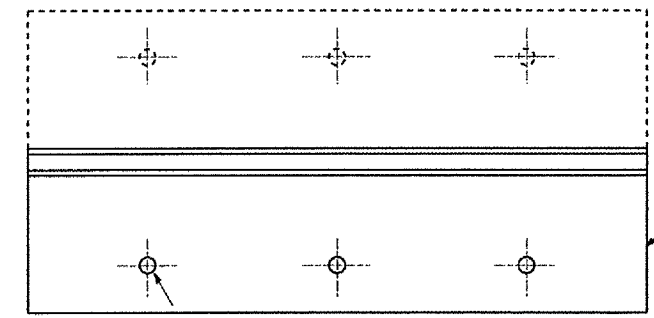
Adhesive weep slots or holes equally spaced on both sides



REFLECTOR MARKER TYPE B



Brass or plastic rivet



3 min. adhesive weep holes or slots each side, variable spacing.

REFLECTOR MARKER TYPE C

Minimum total area of base 7.0 Sq. in. (4,516 mm²)

All dimensions are in inches (millimeters) unless otherwise noted.

ILLINOIS DEPARTMENT OF TRANSPORTATION
DISTRICT CADD STANDARD
 GUARDRAIL AND BARRIER WALL DELINEATION
 CADD STD. NO. 635101-D4 SHEET 3 OF 3
 SCALE: NOT DRAWN TO SCALE DRAWN BY CADD CHECKED BY