

F.A.I. RTE.	SECTION	COUNTY	TOTAL SHEETS	SHEET NO.
74	*	MCLEAN	49	11

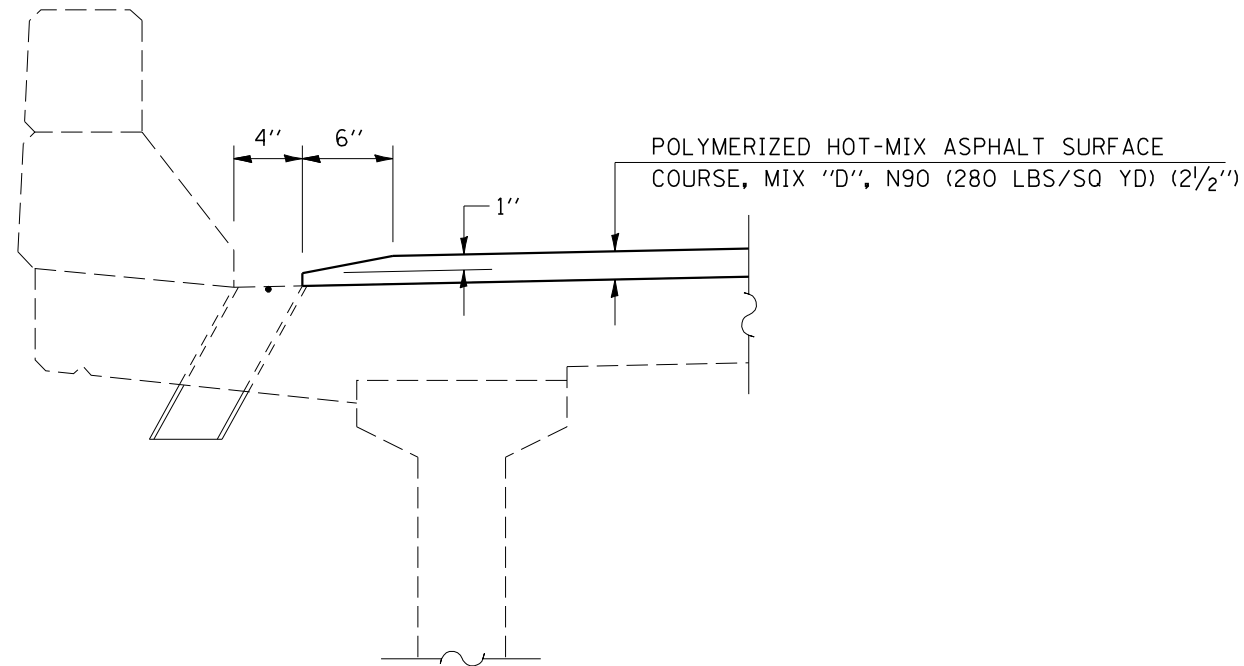
\* (57-21B&57-22B)&BDR

SHEET 7 OF 8

# DECK DRAIN REPAIR

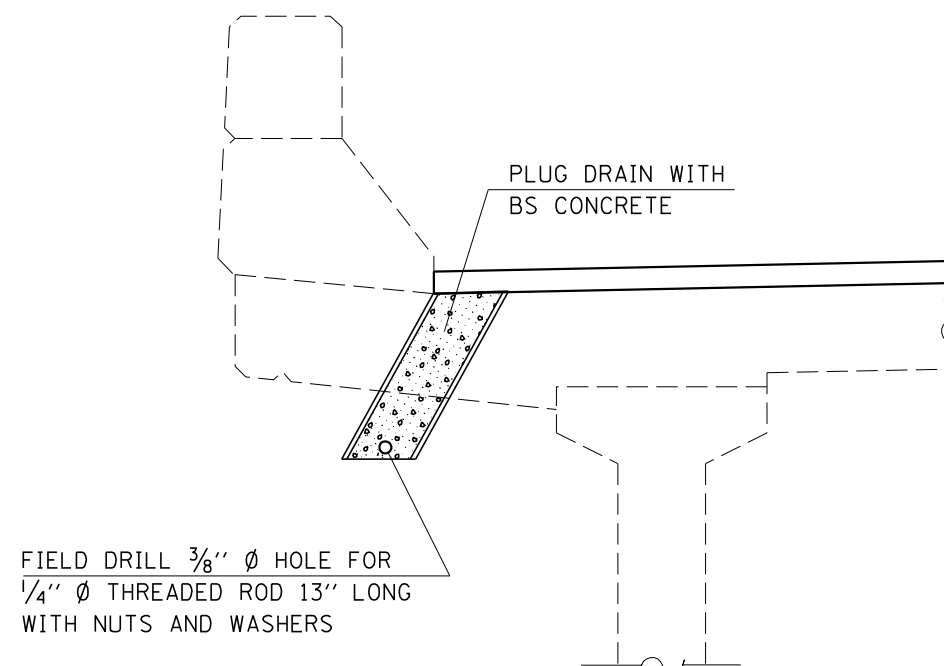
## SN 057-0120

### DETAIL OF DRAIN AT CURB



SECTION AT DRAIN

### DRAIN ELIMINATION DETAIL



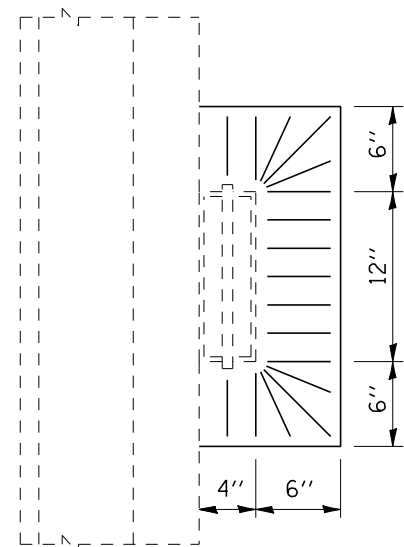
SECTION AT DRAIN

NOTE:  
SEE SHEET 6 OF 8 FOR  
DRAINS TO BE PLUGGED

FIELD DRILL  $\frac{3}{8}$ "  $\varnothing$  HOLE FOR  
 $\frac{1}{4}$ "  $\varnothing$  THREADED ROD 13" LONG  
WITH NUTS AND WASHERS

PLAN NOTE:  
ON EXISTING DECK DRAINS WITH EXTENSIONS,  
REMOVE BOTTOM PORTION OF EXISTING DRAIN.  
(COST INCLUDED WITH PLUG EXISTING DECK DRAINS)

POLYMERIZED HMA AROUND DRAIN AT CURB SHALL  
BE COMPACTED TO SATISFACTION OF ENGINEER.



PLAN VIEW

PLOT DATE : 3/26/2007  
FILE NAME : c:\projects\0501187 (05170641cover.dgn  
PLOT SCALE : 1/8"=1'-0" / IN.  
USER NAME : creigre

ILLINOIS DEPARTMENT OF TRANSPORTATION  
**DECK DRAIN REPAIR**  
F.A.I. ROUTE 74  
SECTION (57-21B&57-22B)&BDR  
MCLEAN COUNTY  
SN 057-0120

SCALE: NA  
DATE: 03/22/07

DRAWN BY: JRP  
CHECKED BY: