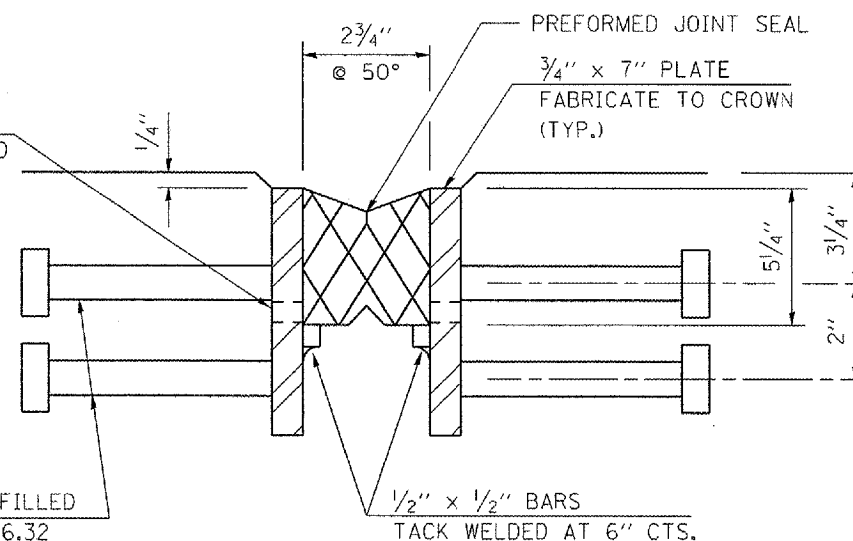


NORTH AND SOUTH ABUTMENT JOINT DETAILS

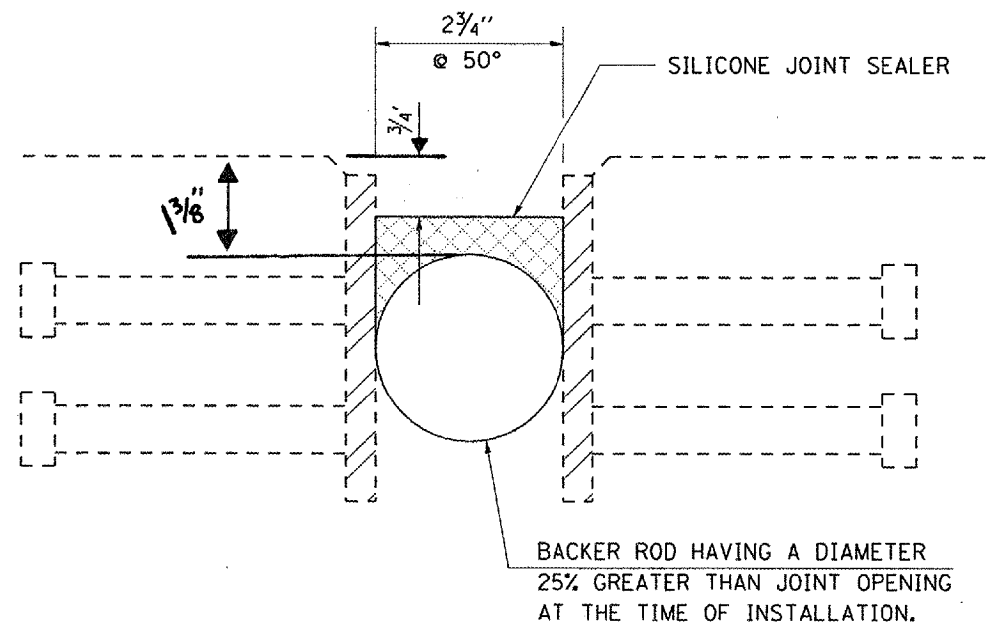
SN 057-0120

$\frac{7}{16}$ " ϕ HOLES AT 12" CTS. FOR $\frac{3}{8}$ " ϕ BOLTS.
ALL BOLTS SHALL BE BURNED, SAWED OR CHIPPED OFF FLUSH WITH THE PLATES AFTER FORMS ARE REMOVED. (TYP.)



$\frac{3}{4}$ " ϕ x 8" GRANULAR OR SOLID FLUX FILLED HEADED STUDS CONFORMING TO ART. 706.32 OF THE STD. SPEC'S. AUTOMATICALLY END WELDED AT 12" ALT. CTS.

EXISTING JOINT



NOTE:
REMOVAL OF THE PREFORMED JOINT SEAL IS INCLUDED IN THE COST OF SILICONE JOINT SEALER.

BILL OF MATERIALS

ITEM	UNITS	TOTAL
SILICONE JOINT SEALER, 2 3/4 "	FOOT	80

PROPOSED JOINT