

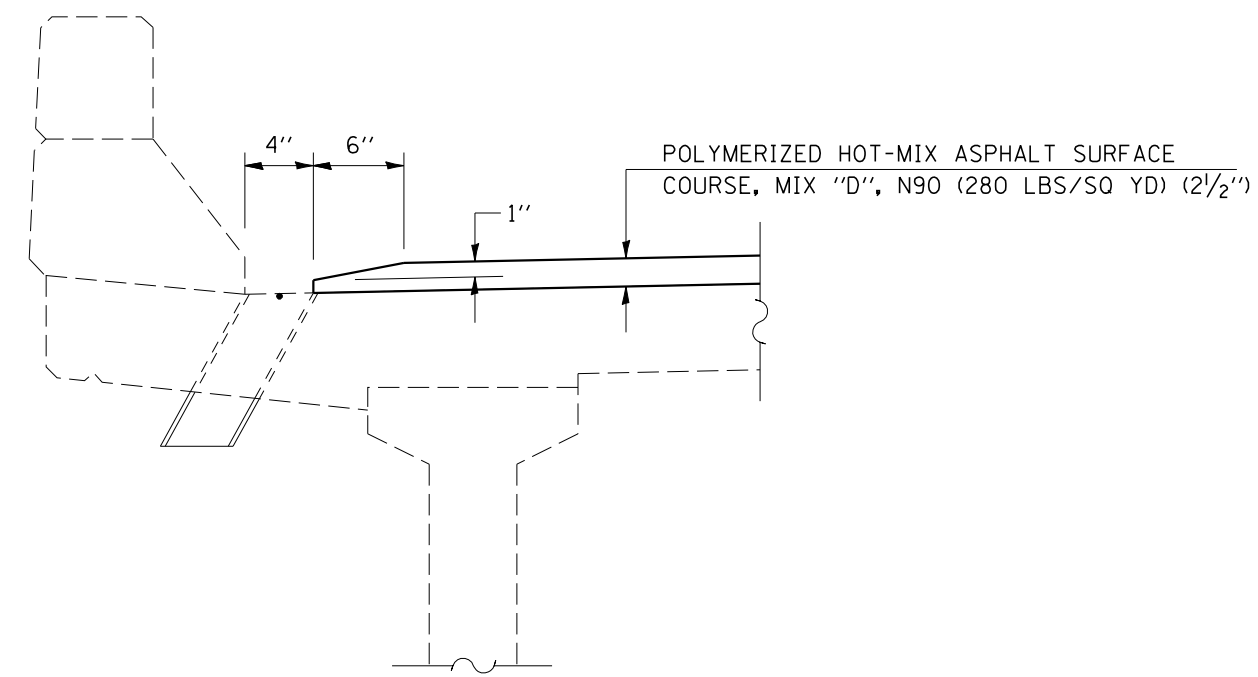
| F.A.I. RTE. | SECTION | COUNTY | TOTAL SHEETS | SHEET NO. |
|-------------|---------|--------|--------------|-----------|
| 74 | * | MCLEAN | 49 | 19 |

* (57-21B&57-22B)&BDR

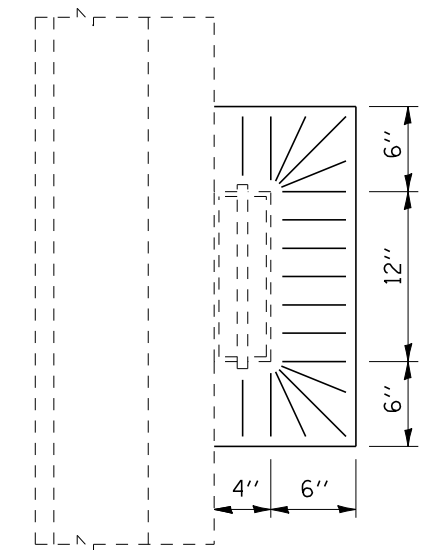
SHEET 7 OF 8

DECK DRAIN REPAIR SN 057-0121

DETAIL OF DRAIN AT CURB

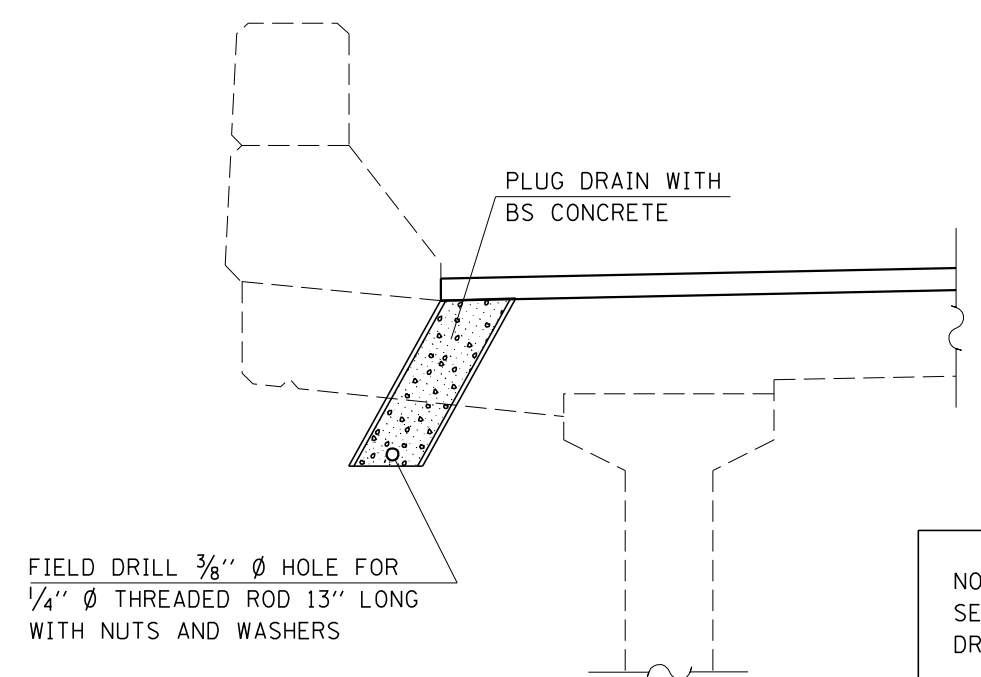


SECTION AT DRAIN



PLAN VIEW

DRAIN ELIMINATION DETAIL



SECTION AT DRAIN

NOTE:
SEE SHEET 6 OF 8 FOR
DRAINS TO BE PLUGGED

PLAN NOTE:
ON EXISTING DECK DRAINS WITH EXTENSIONS,
REMOVE BOTTOM PORTION OF EXISTING DRAIN.
(COST INCLUDED WITH PLUG EXISTING DECK DRAINS)

POLYMERIZED HMA AROUND DRAIN AT CURB SHALL
BE COMPACTED TO SATISFACTION OF ENGINEER.

ILLINOIS DEPARTMENT OF TRANSPORTATION
DECK DRAIN REPAIR
F.A.I. ROUTE 74
SECTION (57-21B&57-22B)&BDR
MCLEAN COUNTY
SN 057-0121

SCALE: NA DRAWN BY: JRP
DATE: 03/22/07 CHECKED BY:

PLOT DATE : 3/26/2007
 FILE NAME : c:\projects\0501187 (05170641cover.dgn
 PLOT SCALE : 1/8"=1'-0" / IN.
 USER NAME : creigre