

F.A.I. RTE.	SECTION	COUNTY	TOTAL SHEETS	SHEET NO.
74	*	MCLEAN	49	20

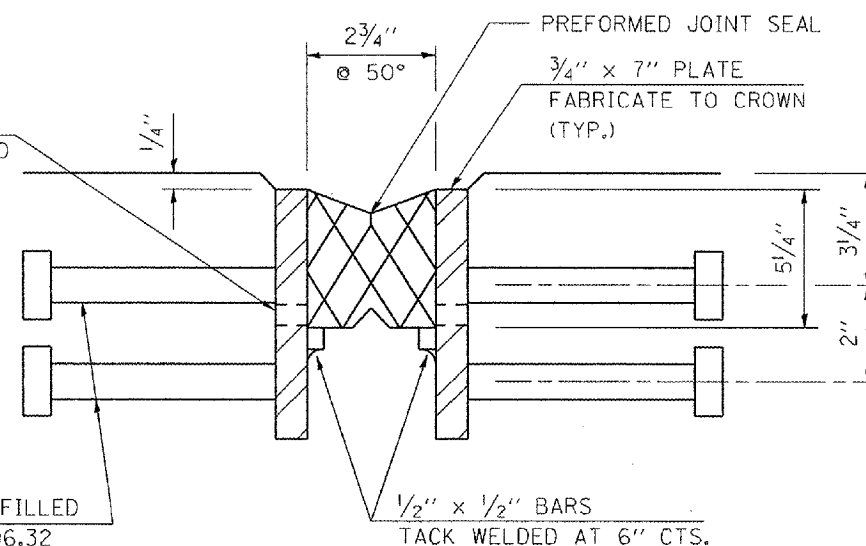
\* (57-21B&57-22B)&BDR

SHEET 8 OF 8

# NORTH AND SOUTH ABUTMENT JOINT DETAILS

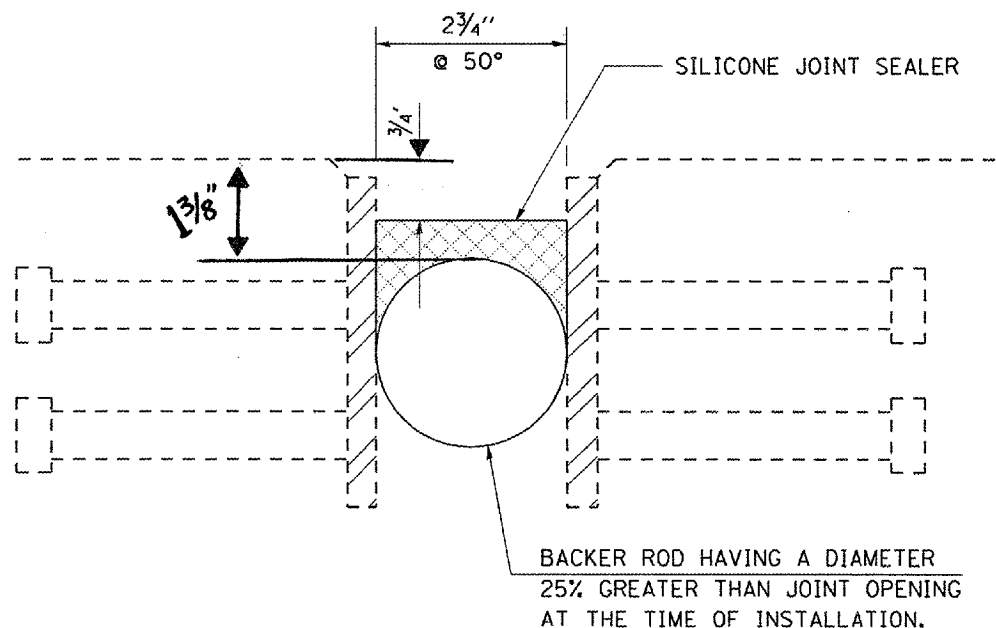
## SN 057-0121

7/16" Ø HOLES AT 12" CTS. FOR 3/8" Ø BOLTS.  
ALL BOLTS SHALL BE BURNED, SAWED OR CHIPPED OFF FLUSH WITH THE PLATES AFTER FORMS ARE REMOVED. (TYP.)



3/4" Ø x 8" GRANULAR OR SOLID FLUX FILLED HEADED STUDS CONFORMING TO ART. 706.32 OF THE STD. SPEC'S. AUTOMATICALLY END WELDED AT 12" ALT. CTS.

EXISTING JOINT



NOTE:  
REMOVAL OF THE PREFORMED JOINT SEAL IS INCLUDED IN THE COST OF SILICONE JOINT SEALER.

PROPOSED JOINT

### BILL OF MATERIALS

ITEM	UNITS	TOTAL
SILICONE JOINT SEALER, 2 3/4 "	FOOT	80

PLOT DATE: 3/20/2007  
 FILE NAME: c:\pwworkspace\11858824\1\11858824.dwg  
 PLOT SCALE: 1/8"=1'-0"  
 USER NAME: jrp

ILLINOIS DEPARTMENT OF TRANSPORTATION  
 NO. & SO. ABUTMENT JOINT DETAILS  
 F.A.I. ROUTE 74  
 SECTION (57-21B&57-22B)&BDR  
 MCLEAN COUNTY  
 SN 057-0121

SCALE: NA      DRAWN BY: JRP  
 DATE: 03/24/07      CHECKED BY: