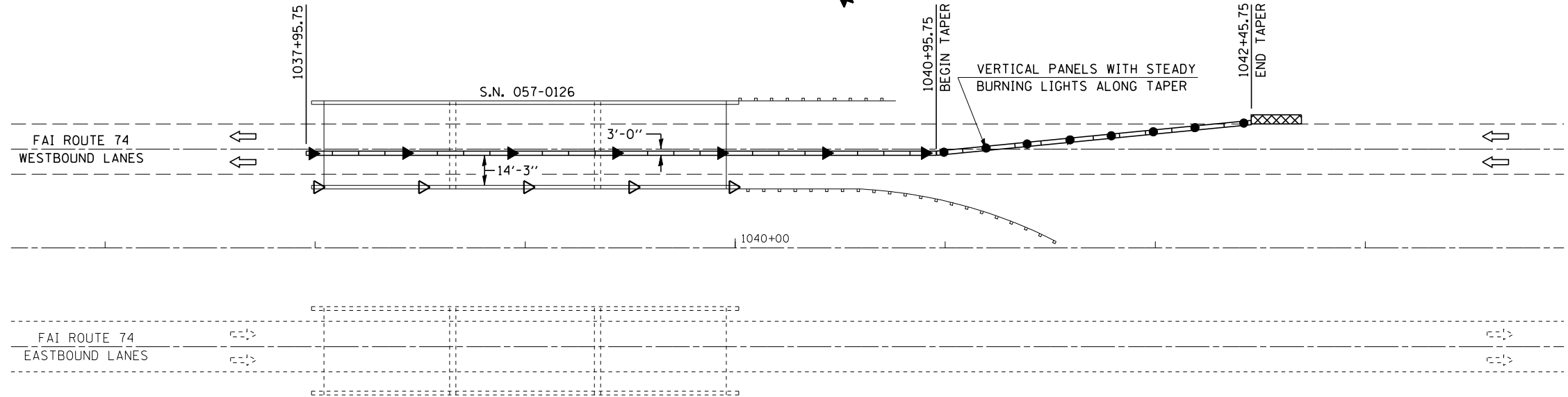


F.A.I. RTE.	SECTION	COUNTY	TOTAL SHEETS	SHEET NO.
74	*	MCLEAN	49	24

* (57-21B&57-22B)&BDR

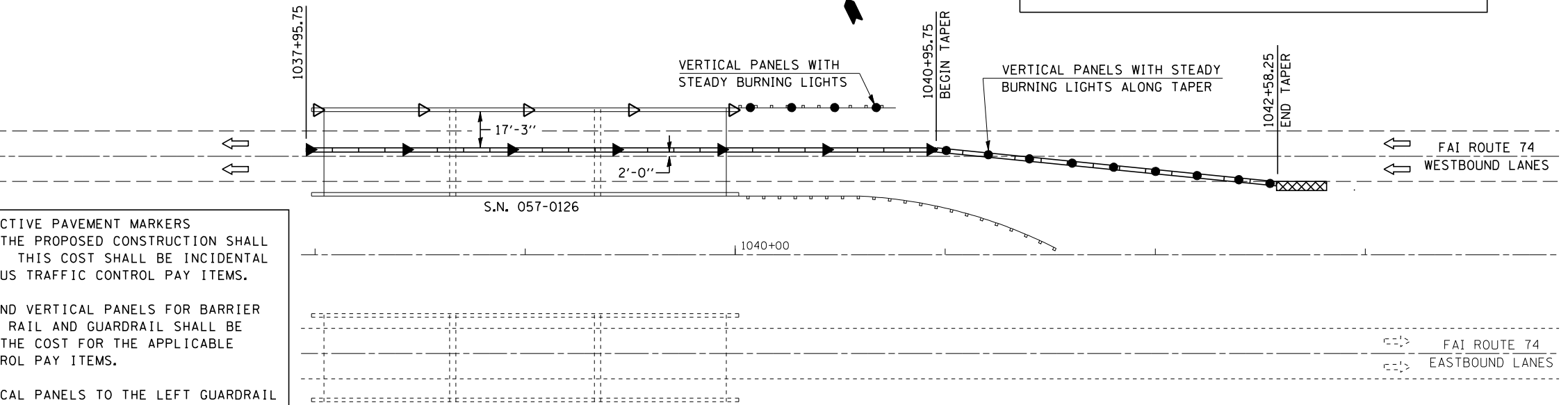
SHEET 4 OF 8

STAGE I CONSTRUCTION S.N. 057-0126 (WESTBOUND)



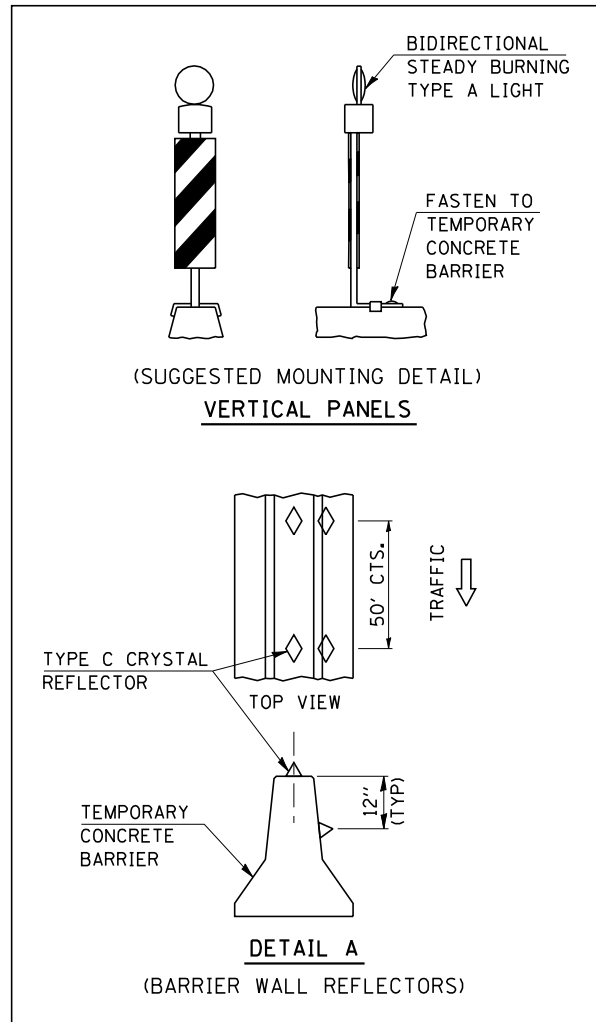
70400100 TEMPORARY CONCRETE BARRIER
STA 1073+37.75 TO STA 1042+45.75 = 450.0'

STAGE II CONSTRUCTION S.N. 057-0126 (WESTBOUND)



70400200 RELOCATE TEMPORARY CONCRETE BARRIER
STA 1037+95.75 TO STA 1042+58.25 = 462.5'

SYMBOLS	
	AMBER MONODIRECTIONAL REFLECTOR 50' CTS
	CRYSTAL MONODIRECTIONAL REFLECTOR 50' CTS
	TEMPORARY CONCRETE BARRIER
	VERTICAL PANELS WITH STEADY BURNING LIGHTS ALONG TAPER 20' CTS
	IMPACT ATTENUATOR



PLAN NOTES:

ALL STAGING DETAILS SET UP IN ACCORDANCE WITH TRAFFIC CONTROL AND PROTECTION 701402.

PRIOR TO BARRIER PLACEMENT TRAFFIC CONTROL SHALL BE SET UP IN ACCORDANCE WITH STANDARD 701406.

TRAFFIC CONTROL DETAILS NOT SHOWN ARE TO CONFORM WITH STANDARD 701400 AND 701402.

MESSAGE BOARD SHALL BE PLACED TWO WEEKS PRIOR TO CONSTRUCTION AND MAY BE ADJUSTED TO MEET FIELD CONDITIONS.

RESIDENT ENGINEER AND TRAFFIC CONTROL SUPERVISOR SHALL PROVIDE APPROPRIATE MESSAGE FOR CMS.

RAISED REFLECTIVE PAVEMENT MARKERS AFFECTED BY THE PROPOSED CONSTRUCTION SHALL BE REPLACED. THIS COST SHALL BE INCIDENTAL TO THE VARIOUS TRAFFIC CONTROL PAY ITEMS.

REFLECTORS AND VERTICAL PANELS FOR BARRIER WALL, BRIDGE RAIL AND GUARDRAIL SHALL BE INCLUDED IN THE COST FOR THE APPLICABLE TRAFFIC CONTROL PAY ITEMS.

ATTACH VERTICAL PANELS TO THE LEFT GUARDRAIL AT 25 FOOT CENTERS DURING STAGE II. THIS COST WILL BE INCIDENTAL TO STANDARD 701402.

REFLECTORIZED TEMPORARY MARKING TAPE SHALL BE PLACED THROUGHOUT THE TAPER AND ALONG-SIDE THE WORK AREA. THE EDGE LINE SHALL BE YELLOW FOR LEFT LANE CLOSURES. COST FOR THE PLACEMENT AND REMOVAL SHALL BE INCLUDED IN COST FOR APPLICABLE TRAFFIC CONTROL PAY ITEM.

PLOT DATE = 3/26/2007
FILE NAME = c:\p\projects\05701187\05701187.dgn
PLOT SCALE = 63,5294 / IN.
USER NAME = cregre

ILLINOIS DEPARTMENT OF TRANSPORTATION
STAGE CONSTRUCTION
F.A.I. ROUTE 74
SECTION (57-21B&57-22B)&BDR
MCLEAN COUNTY
S.N. 057-0126

SCALE: 1" = 30'
DATE: 03/24/07
DRAWN BY: JRP
CHECKED BY: