

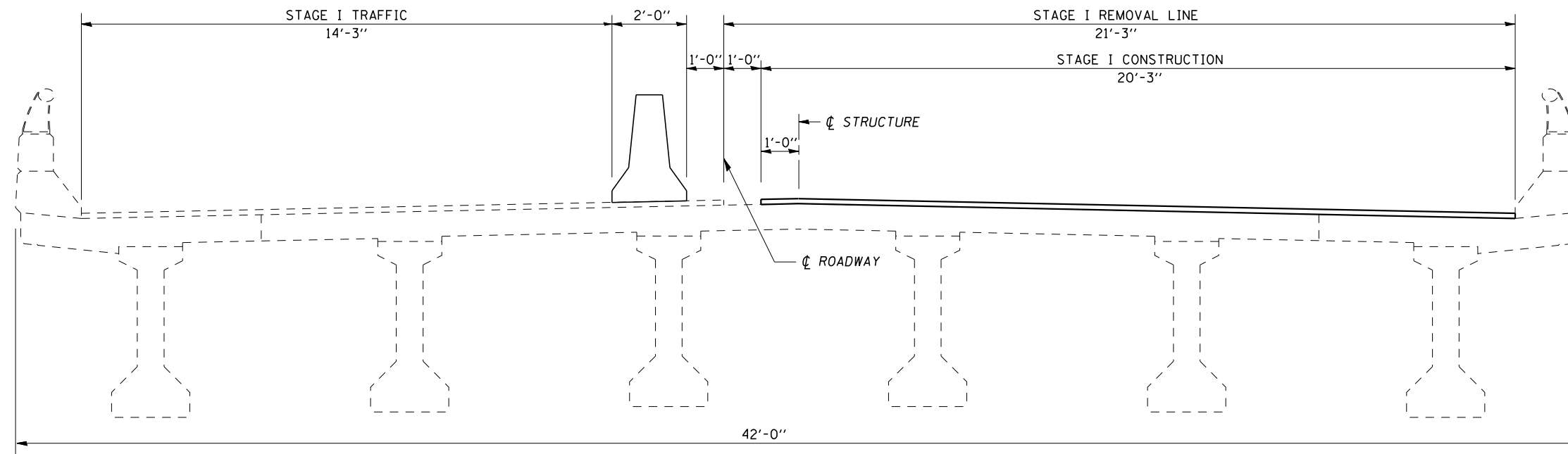
F.A.I. RTE.	SECTION	COUNTY	TOTAL SHEETS	SHEET NO.
74	*	MCLEAN	49	31

\* (57-21B&57-22B)&BDR

SHEET 3 OF 14

### STAGE I CONSTRUCTION

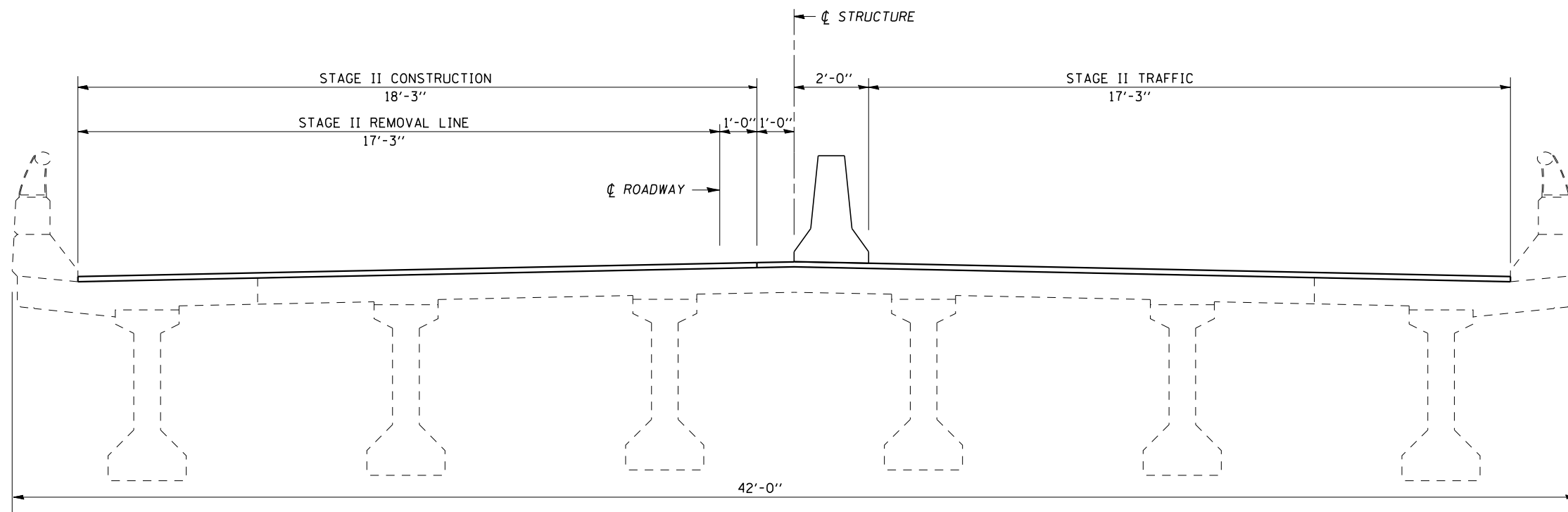
S.N. 057-0129



WESTBOUND (LOOKING WEST)

### STAGE II CONSTRUCTION

S.N. 057-0129



WESTBOUND (LOOKING WEST)

PLOT DATE : 3/26/2007  
 FILE NAME : c:\projects\0501187\d81\70641cover.dgn  
 PLOT SCALE : 1/8"=1'-0"  
 USER NAME : creigre

ILLINOIS DEPARTMENT OF TRANSPORTATION  
**STAGE CONSTRUCTION**  
 F.A.I. ROUTE 74  
 SECTION (57-21B&57-22B)&BDR  
 MCLEAN COUNTY  
 S.N. 057-0129

SCALE: NA  
 DATE: 03/22/07  
 DRAWN BY: JRP  
 CHECKED BY: