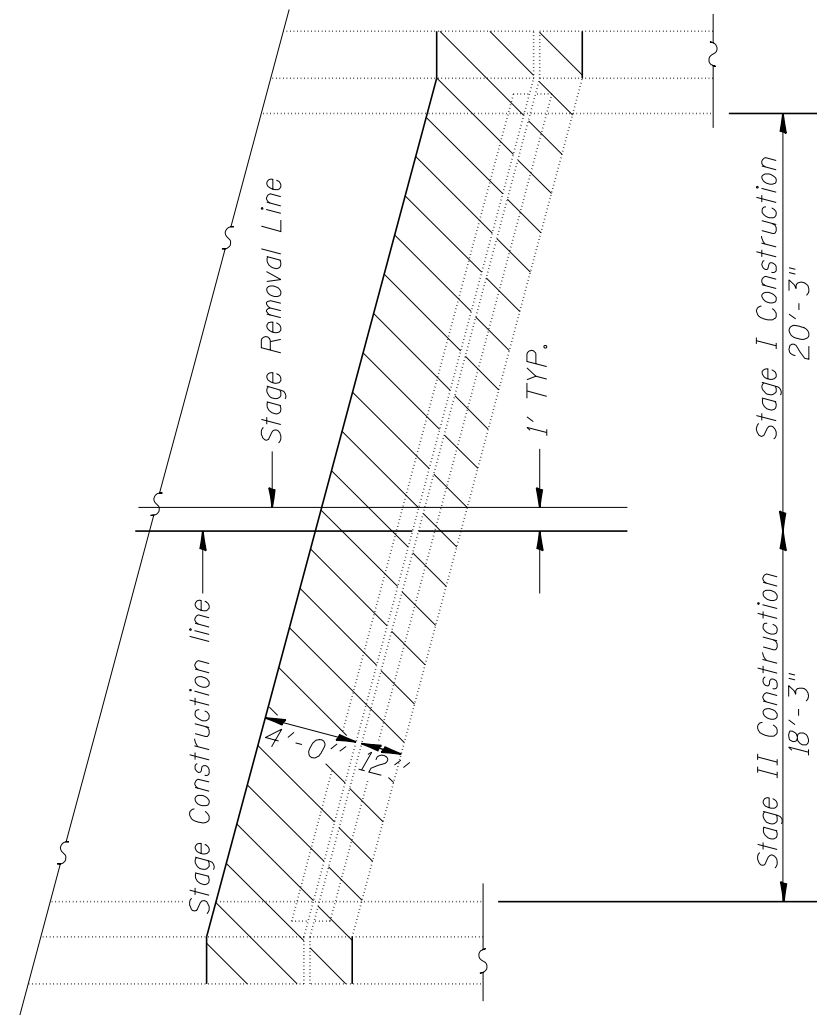
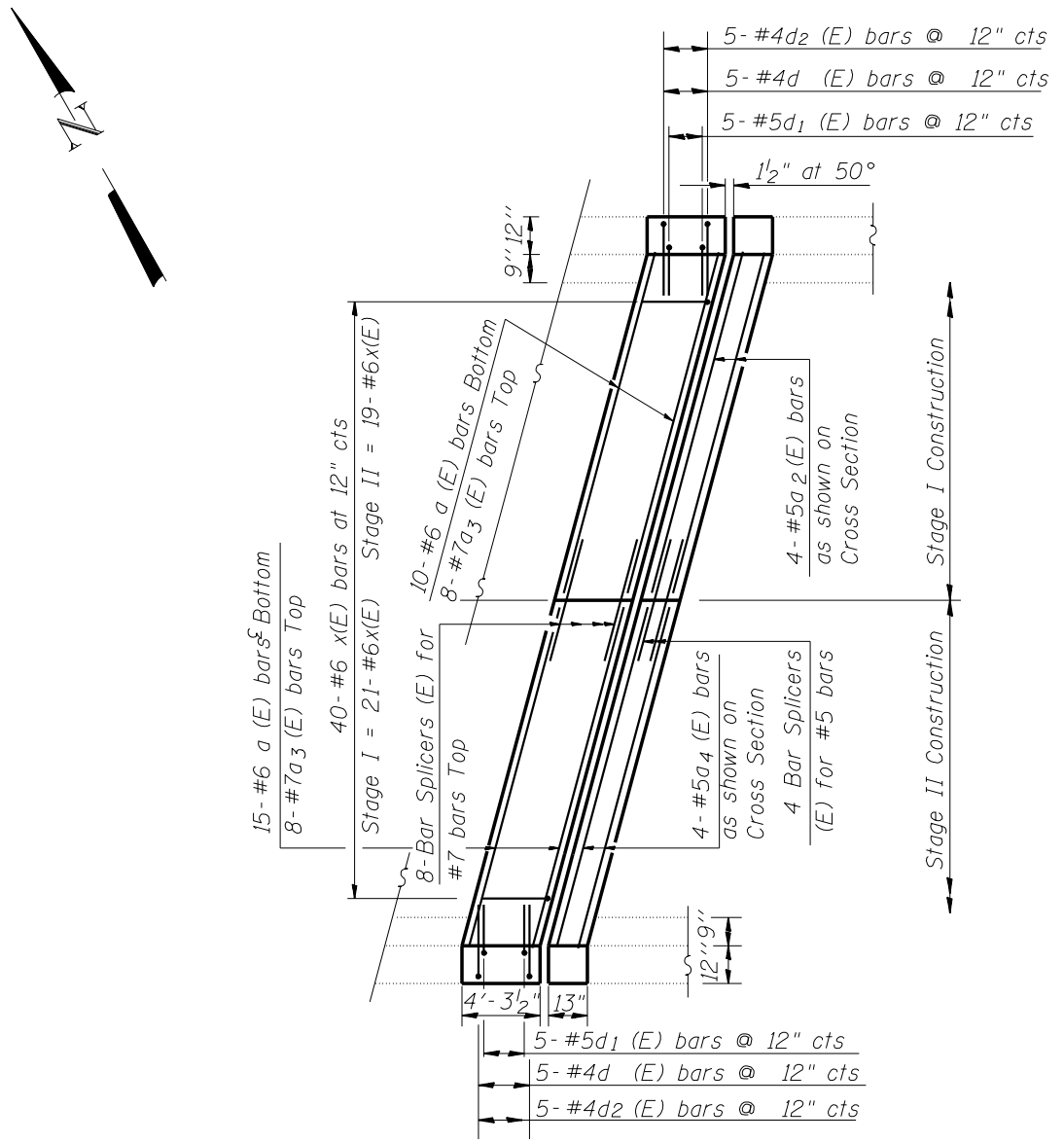


JOINT REPAIR AT EAST ABUTMENT

SN 057-0129



EXISTING PARTIAL PLAN
JOINT AT EAST ABUTMENT



PROPOSED PARTIAL PLAN
JOINT AT EAST ABUTMENT

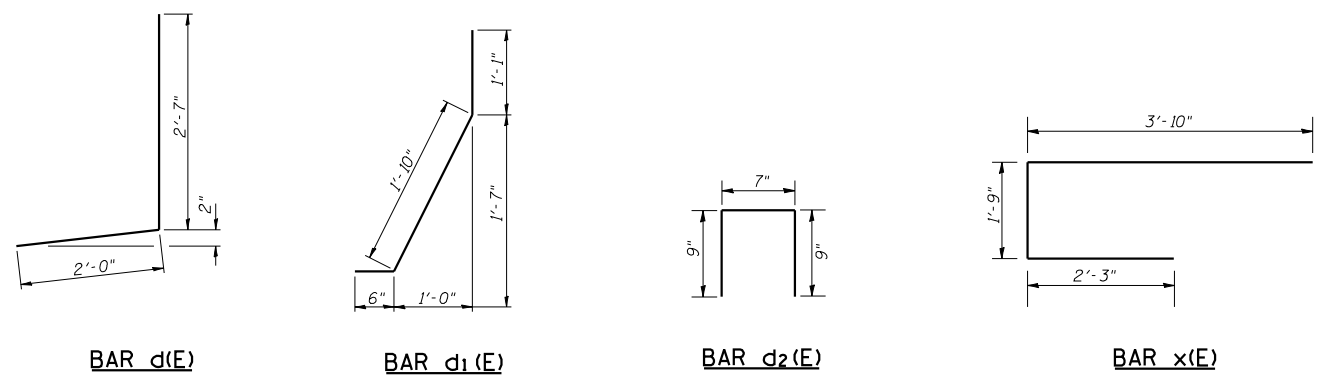
BILL OF MATERIAL

| Bar | No. | Size | Length | Shape |
|----------------------------------|-----|------|---------|-------|
| a (E) | 25 | #6 | 6'-9" | — |
| a ₁ (E) | 8 | #7 | 22'-9" | — |
| a ₂ (E) | 4 | #5 | 22'-9" | — |
| a ₃ (E) | 8 | #7 | 20'-7" | — |
| a ₄ (E) | 4 | #5 | 20'-7" | — |
| d(E) | 10 | #4 | 4'-7" | J |
| d(E) | 10 | #5 | 3'-5" | J |
| d ₂ (E) | 10 | #4 | 2'-1" | □ |
| x(E) | 40 | #6 | 7'-10" | ┌ |
| Reinforcement Bars, Epoxy Coated | | | Pound | 1,695 |
| Concrete Superstructure | | | Cu. Yd. | 11.85 |

Reinforcement bars designated (E) shall be epoxy coated.

Hatched area indicates Concrete Removal.

See Sheet 8 of 14 for Section Thru Parapet and Proposed Joint Section



PLOT DATE = 3/28/2007
 FILE NAME = c:\projects\0501187 (05170641cover.dgn
 PLOT SCALE = 1/8"=1'-0"
 USER NAME = creng

ILLINOIS DEPARTMENT OF TRANSPORTATION
JOINT REPAIR AT EAST ABUTMENT
 F.A.I. ROUTE 74
 SECTION (57-21B&57-22B)&BDR
 MCLEAN COUNTY
 SN 057-0129

SCALE: NA DRAWN BY: RC
 DATE: 03/28/07 CHECKED BY: