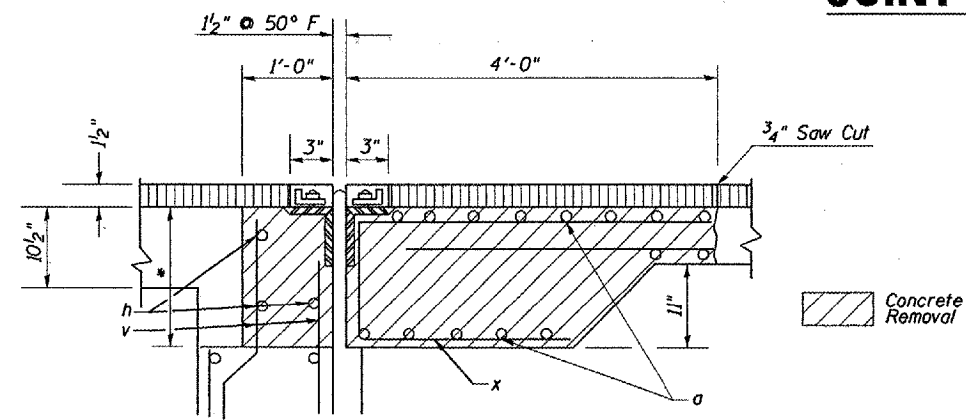


JOINT REPAIR AT EAST ABUTMENT

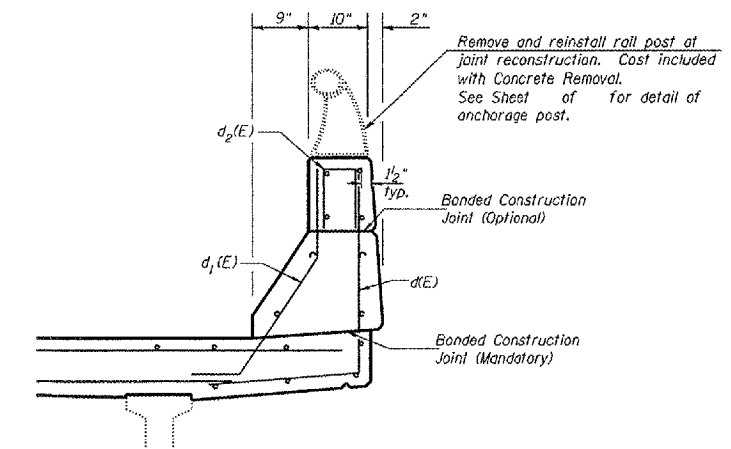
SN 057-0129



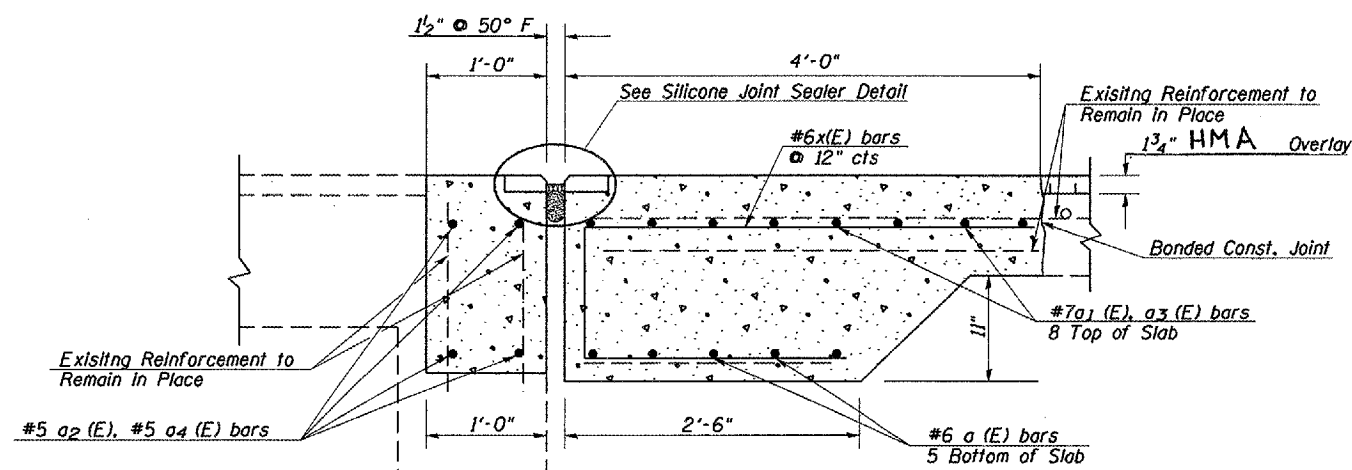
* Varies from 1'-3 5/8" to 1'-8"

Note: Removal of Neoprene Expansion Joint is included in the cost of Concrete Removal

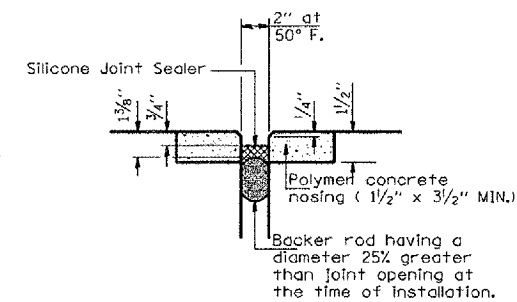
EXISTING SECTION AT EAST ABUTMENT



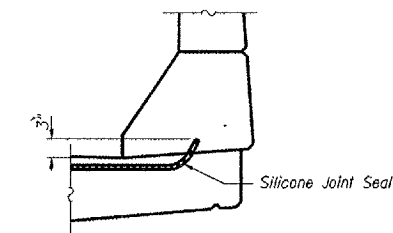
SECTION THRU PARAPET



PROPOSED SECTION AT EAST ABUTMENT



SILICONE JOINT SEALER DETAIL



TYPICAL END OF SEAL TREATMENT AT EXPANSION JOINT

BILL OF MATERIAL

Item	Unit	TOTAL
Concrete Removal	Cu. Yd.	11.85
Concrete Superstructure	Cu. Yd.	11.85
Polymer Concrete	Cu. Ft.	3.2
Reinforcement Bars, Epoxy Coated	Pound	1695
Silicone Joint Sealer, 1 1/2"	Foof	43
Bar Splicers	Each	12

ILLINOIS DEPARTMENT OF TRANSPORTATION
JOINT REPAIR AT EAST ABUTMENT
F.A.I. ROUTE 74
SECTION (57-21B&57-22B)&BDR
MCLEAN COUNTY
SN 057-0129
SCALE: NA
DATE: 03/28/07
DRAWN BY: RC
CHECKED BY:

PLOT DATE: 3/28/2007
FILE NAME: c:\p\0\mets\j281107\481\76841\concr.dgn
PLOT SCALE: 1/8"=1'-0"
USER NAME: craige