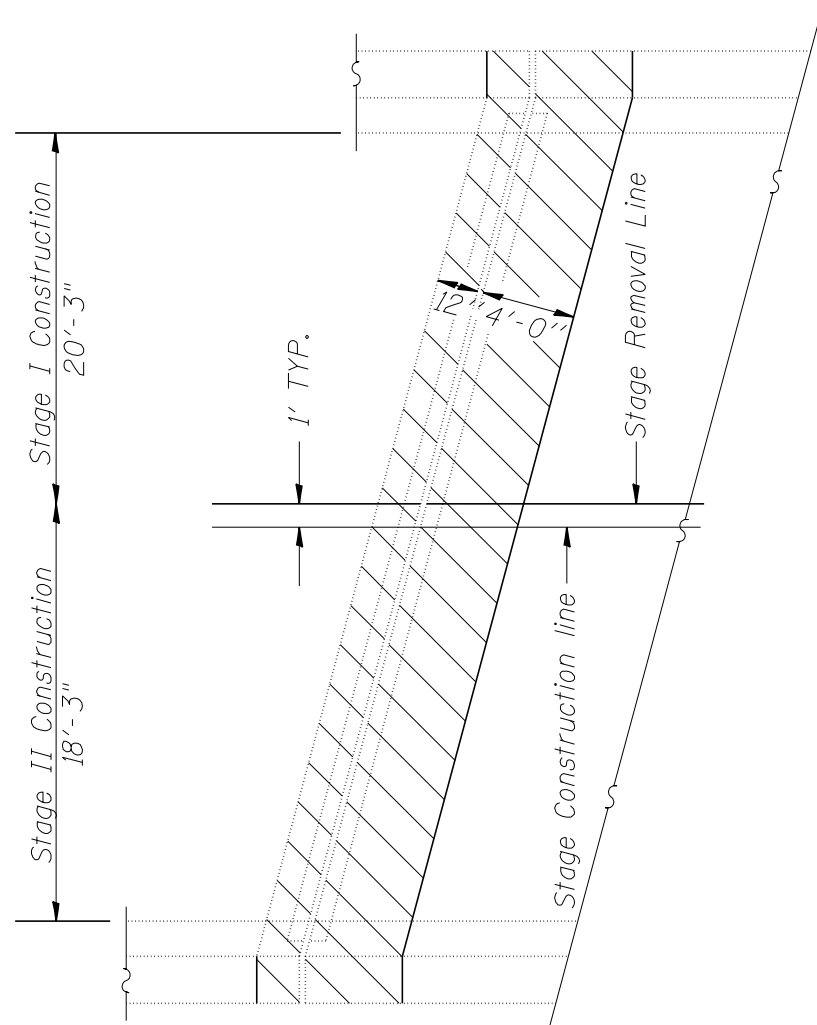
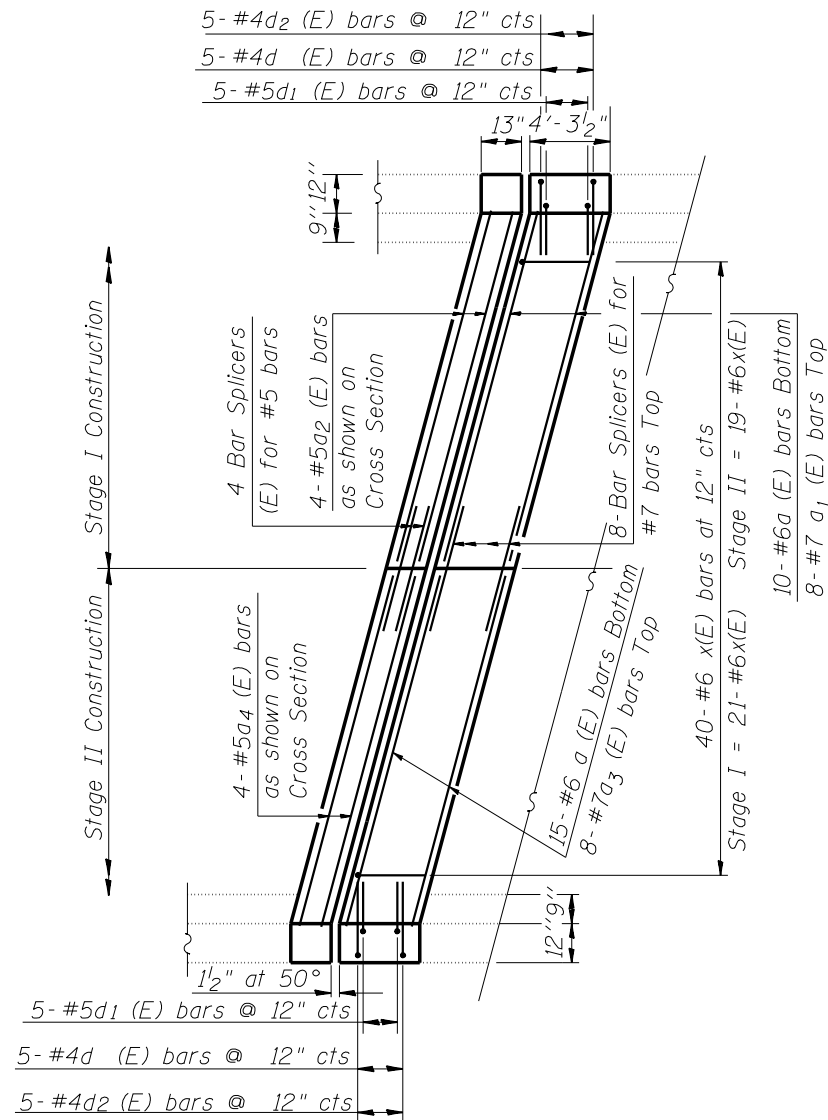


# JOINT REPAIR AT WEST ABUTMENT

## SN 057-0129



**EXISTING PARTIAL PLAN**  
JOINT AT WEST ABUTMENT



**PROPOSED PARTIAL PLAN**  
JOINT AT WEST ABUTMENT

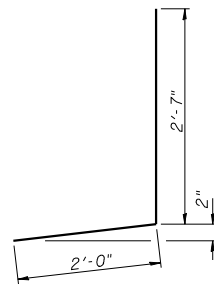
### BILL OF MATERIAL

Bar	No.	Size	Length	Shape
a (E)	25	#6	6'-9"	—
a <sub>1</sub> (E)	8	#7	22'-9"	—
a <sub>2</sub> (E)	4	#5	22'-9"	—
a <sub>3</sub> (E)	8	#7	20'-7"	—
a <sub>4</sub> (E)	4	#5	20'-7"	—
d(E)	10	#4	4'-7"	J
d(E)	10	#5	3'-5"	J
d <sub>2</sub> (E)	10	#4	2'-1"	□
x(E)	40	#6	7'-10"	⊔
Reinforcement Bars, Epoxy Coated			Pound	1,695
Concrete Superstructure			Cu. Yd.	11.85

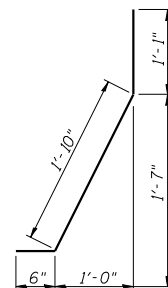
Reinforcement bars designated (E) shall be epoxy coated.

Hatched area indicates Concrete Removal.

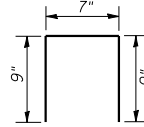
See Sheet 10 of 14 for Section Thru Parapet and Proposed Joint Section



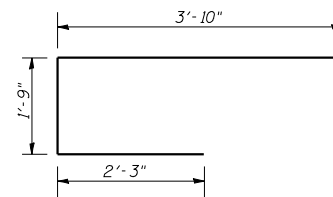
BAR d(E)



BAR d<sub>1</sub>(E)



BAR d<sub>2</sub>(E)



BAR x(E)