

| F.A.I. RTE. | SECTION | COUNTY | TOTAL SHEETS | SHEET NO. |
|-------------|---------|--------|--------------|-----------|
| 74 | * | MCLEAN | 49 | 39 |

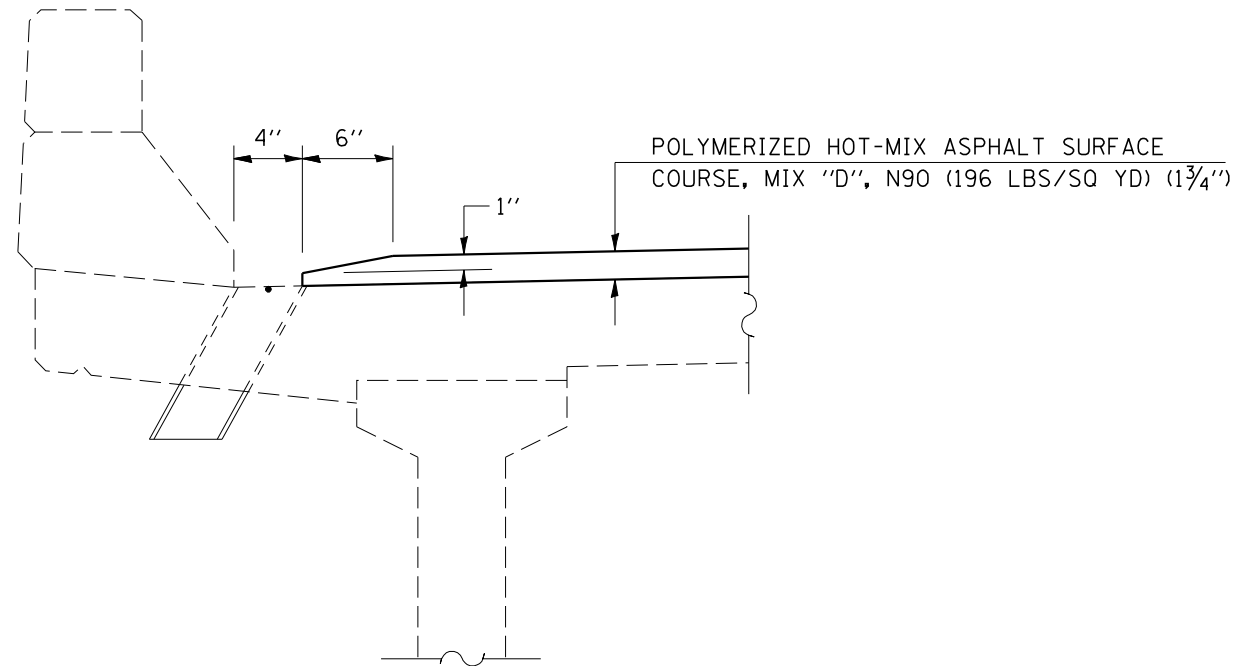
* (57-21B&57-22B)&BDR

SHEET 11 OF 14

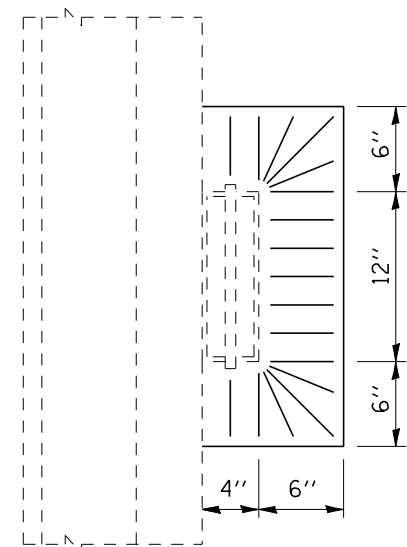
DECK DRAIN REPAIR

SN 057-0129

DETAIL OF DRAIN AT CURB

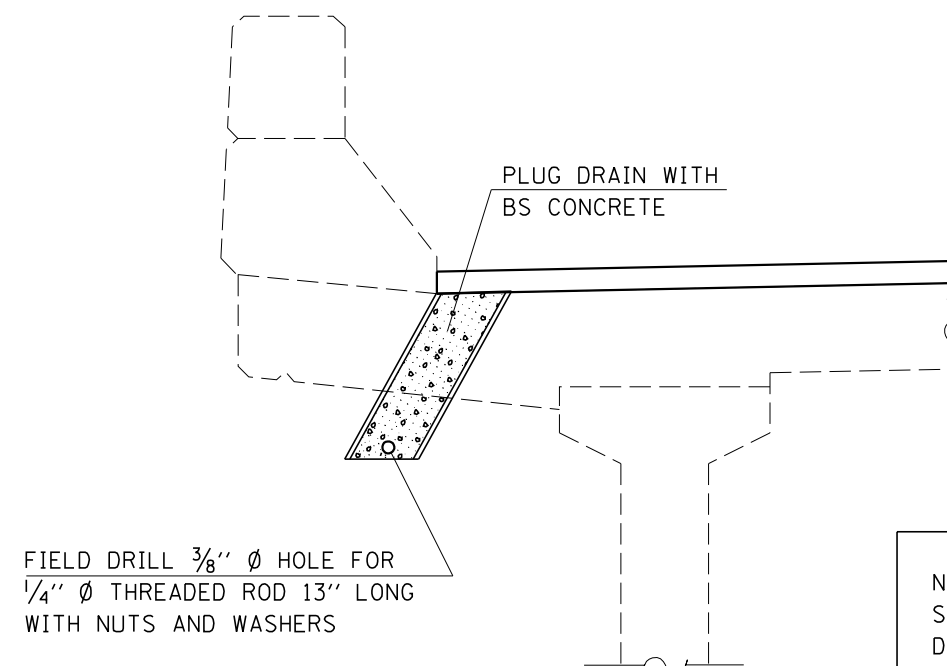


SECTION AT DRAIN



PLAN VIEW

DRAIN ELIMINATION DETAIL



SECTION AT DRAIN

NOTE:
SEE SHEET 6 OF 14 FOR DRAINS TO BE PLUGGED

PLAN NOTE:
ON EXISTING DECK DRAINS WITH EXTENSIONS, REMOVE BOTTOM PORTION OF EXISTING DRAIN. (COST INCLUDED WITH PLUG EXISTING DECK DRAINS)

POLYMERIZED HMA AROUND DRAIN AT CURB SHALL BE COMPACTED TO SATISFACTION OF ENGINEER.

ILLINOIS DEPARTMENT OF TRANSPORTATION
DECK DRAIN REPAIR
F.A.I. ROUTE 74
SECTION (57-21B&57-22B)&BDR
MCLEAN COUNTY
SN 057-0129

SCALE: NA
DATE: 03/22/07

DRAWN BY: JRP
CHECKED BY: