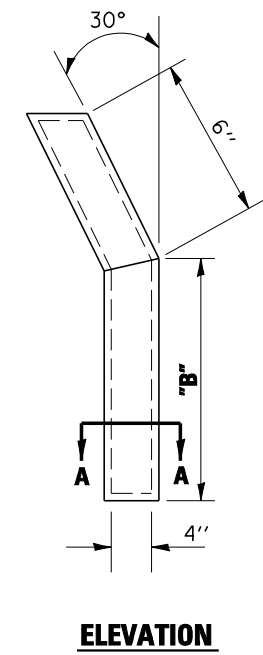
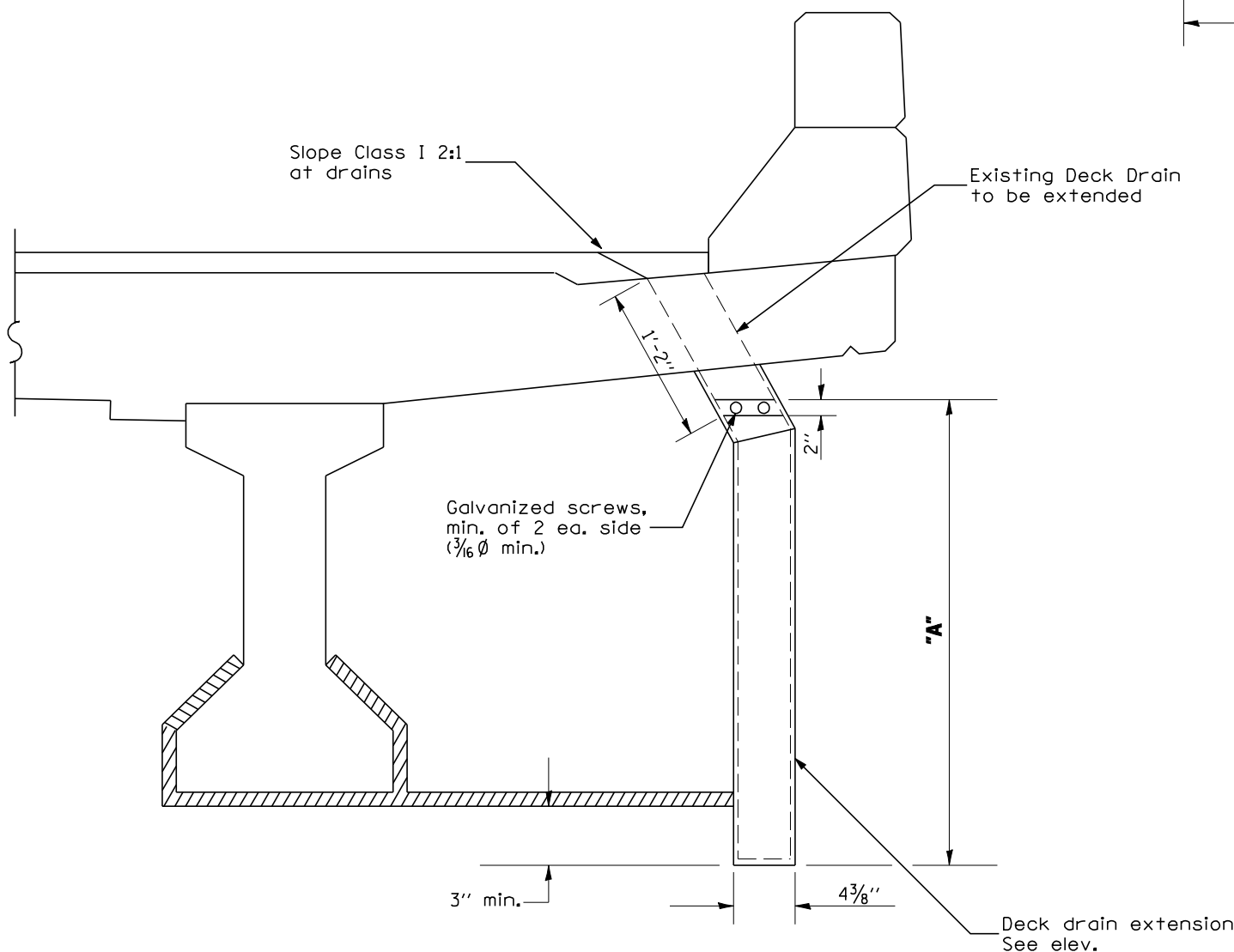
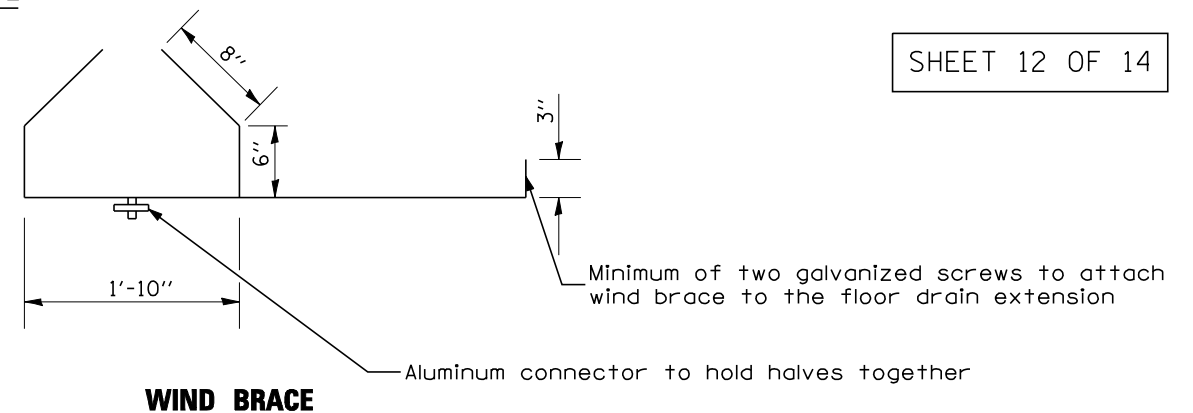


F.A.I. RTE.	SECTION	COUNTY	TOTAL SHEETS	SHEET NO.
74	*	MCLEAN	49	40

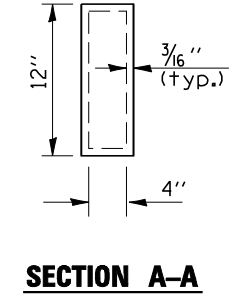
\* (57-21B&57-22B)&BDR

SHEET 12 OF 14

# FLOOR DRAIN EXTENSION SN 057-0129



**FABRICATION:**  
Aluminum sheets welded  
ASTM: B209 alloy 6061-T6  
or aluminum extrusions  
ASTM B221 alloy 60621-T6  
(inside dimensions or shown)



NOTE:  
SEE SHEET 6 OF 14 FOR  
DRAINS TO BE EXTENDED.

WIND BRACE (1/2" x 2" bar stock)

**SECTION AT DRAINS  
TO BE EXTENDED**

DIMENSION	
"A"	3'-6"
"B"	3'-1"
TOTAL DRAINS	24.0

PLOT DATE : 3/26/2007  
 FILE NAME : c:\projects\501187 (61)\70641cover.dgn  
 PLOT SCALE : 1/8"=1'-0" / IN.  
 USER NAME : creigre

ILLINOIS DEPARTMENT OF TRANSPORTATION  
**FLOOR DRAIN EXTENSION**  
 F.A.I. ROUTE 74  
 SECTION (57-21B&57-22B)&BDR  
 MCLEAN COUNTY  
 S.N. 057-0129  
 SCALE: NA DRAWN BY: RC/JP  
 DATE: 03/26/07 CHECKED BY: