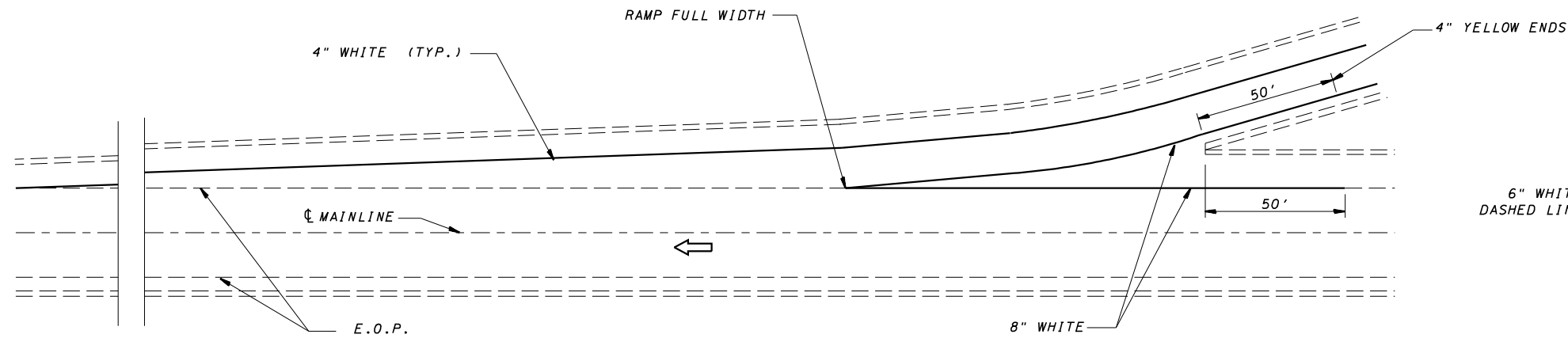
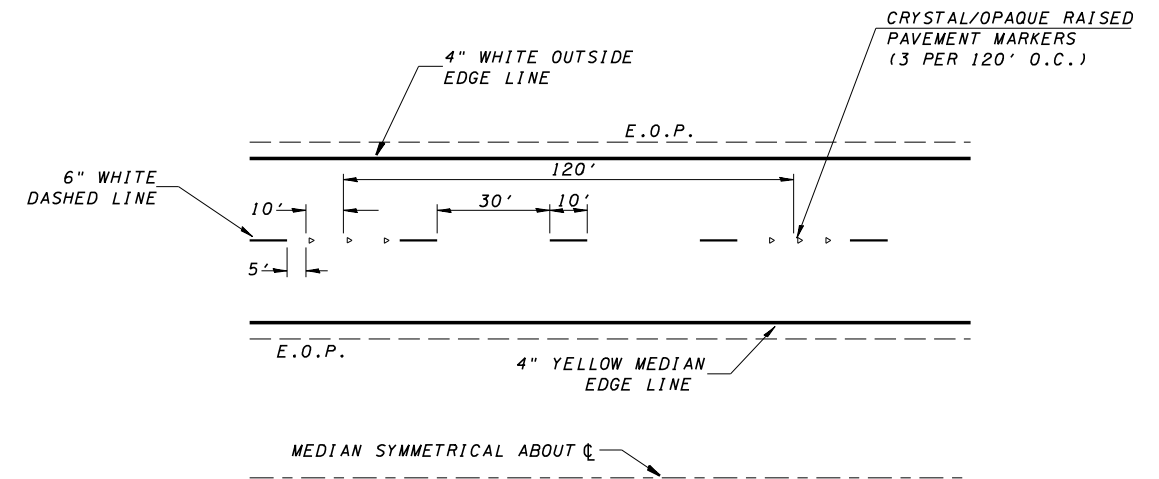


F.A.I. RTE.	SECTION	COUNTY	TOTAL SHEETS	SHEET NO.
74	*	MCLEAN	49	48

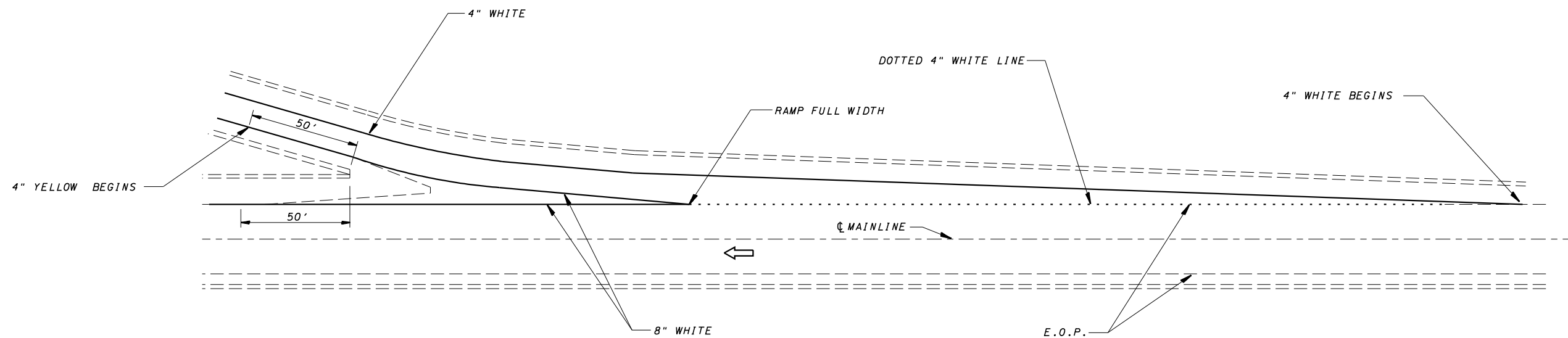
*(57-21B&57-22B)&BDR



TYPICAL PAVEMENT MARKING FOR ENTRANCE RAMP TERMINALS



TYPICAL PAVEMENT MARKINGS



TYPICAL PAVEMENT MARKINGS FOR EXIT RAMP TERMINALS

Note: All dimensions are in INCHES (millimeters) unless otherwise shown.

DATE	REVISIONS	NAME
11/06	CREATED FROM D4 DETAILS	TJB

ILLINOIS DEPARTMENT OF TRANSPORTATION

**PAVEMENT MARKING
(MCLEAN COUNTY "SPOT"
IMPROVEMENTS ONLY)**

DISTRICT 5 DETAIL NO. 7800CCC

PLOT DATE = 3/26/2007
FILE NAME = c:\projects\70641cover.dgn
PLOT SCALE = 1/8" = 1'-0"
USER NAME = creigre