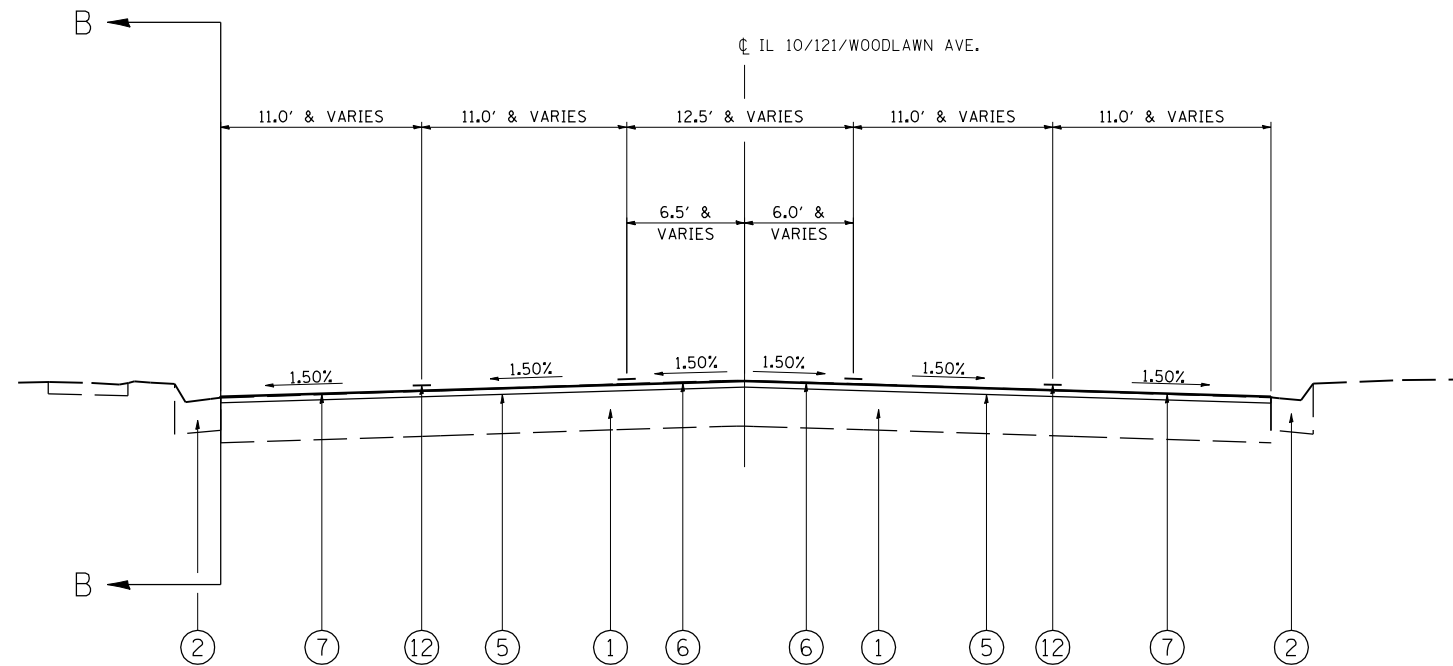


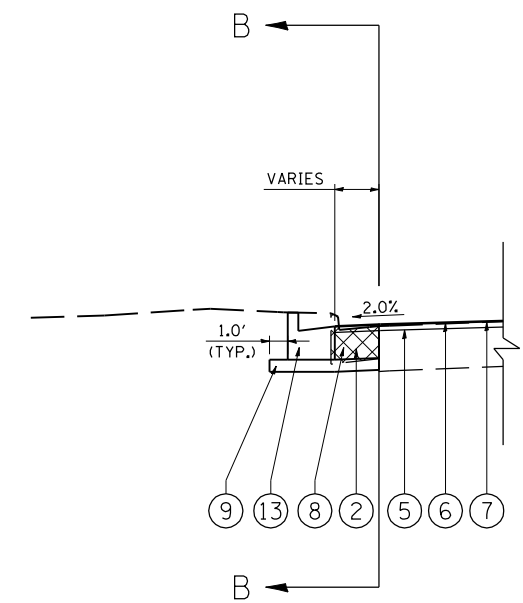
F.A.P. RTE.	SECTION	COUNTY	TOTAL SHEETS	SHEET NO.
320	(103, 22) N, TS	LOGAN	111	16
STA.		TO STA.		
FED. ROAD DIST. NO.	ILLINOIS	FED. AID PROJECT		



IL 10/121/WOODLAWN RD.  
 STA. 142+19.73 TO STA. 143+90.83

LEGEND

- ① EXISTING PCC PAVEMENT (10") WITH BITUMINOUS SURFACE (1.5")
- ② EXISTING CONCRETE CURB & GUTTER
- ③ EXISTING BITUMINOUS SHOULDER (8")
- ④ EXISTING CONCRETE MEDIAN
- ⑤ PROPOSED LEVELING BINDER (MM) SUPERPAVE, N70 - 3/4"
- ⑥ PROPOSED BITUMINOUS CONCRETE SURFACE COURSE, SUPERPAVE MIX D N70 - 1 1/2"
- ⑦ PROPOSED BITUMINOUS SURFACE REMOVAL - 2"
- ⑧ PROPOSED PCC BASE COURSE WIDENING - 9"
- ⑨ PROPOSED SUB-BASE GRANULAR MATERIAL TYPE B - 4"
- ⑩ PROPOSED BITUMINOUS SHOULDERS SUPERPAVE (8")
- ⑪ PROPOSED BITUMINOUS SHOULDERS SUPERPAVE (2.25")
- ⑫ PROPOSED PAVEMENT MARKING
- ⑬ PROPOSED COMB. CONCRETE CURB AND GUTTER, TYPE B-6.24
- ⑭ PROPOSED CONCRETE MEDIAN, TYPE SM-6.06



DETAIL B-B

LT. STA. 142+19.73 TO LT. STA. 142+66.95

REVISIONS	
NAME	DATE

ILLINOIS DEPARTMENT OF TRANSPORTATION  
 TYPICAL SECTION  
 (IL 10/121/WOODLAWN RD.)  
 SCALE: VERT. / HORIZ.  
 DATE: 06-23-05  
 DRAWN BY: TMJ  
 CHECKED BY: VTY

PLOT DATE = 3/26/2007  
 FILE NAME = c:\projects\65338A\shutupicadgn  
 PLOT SCALE = 42.3525' / IN.  
 REFERENCE = #REF#