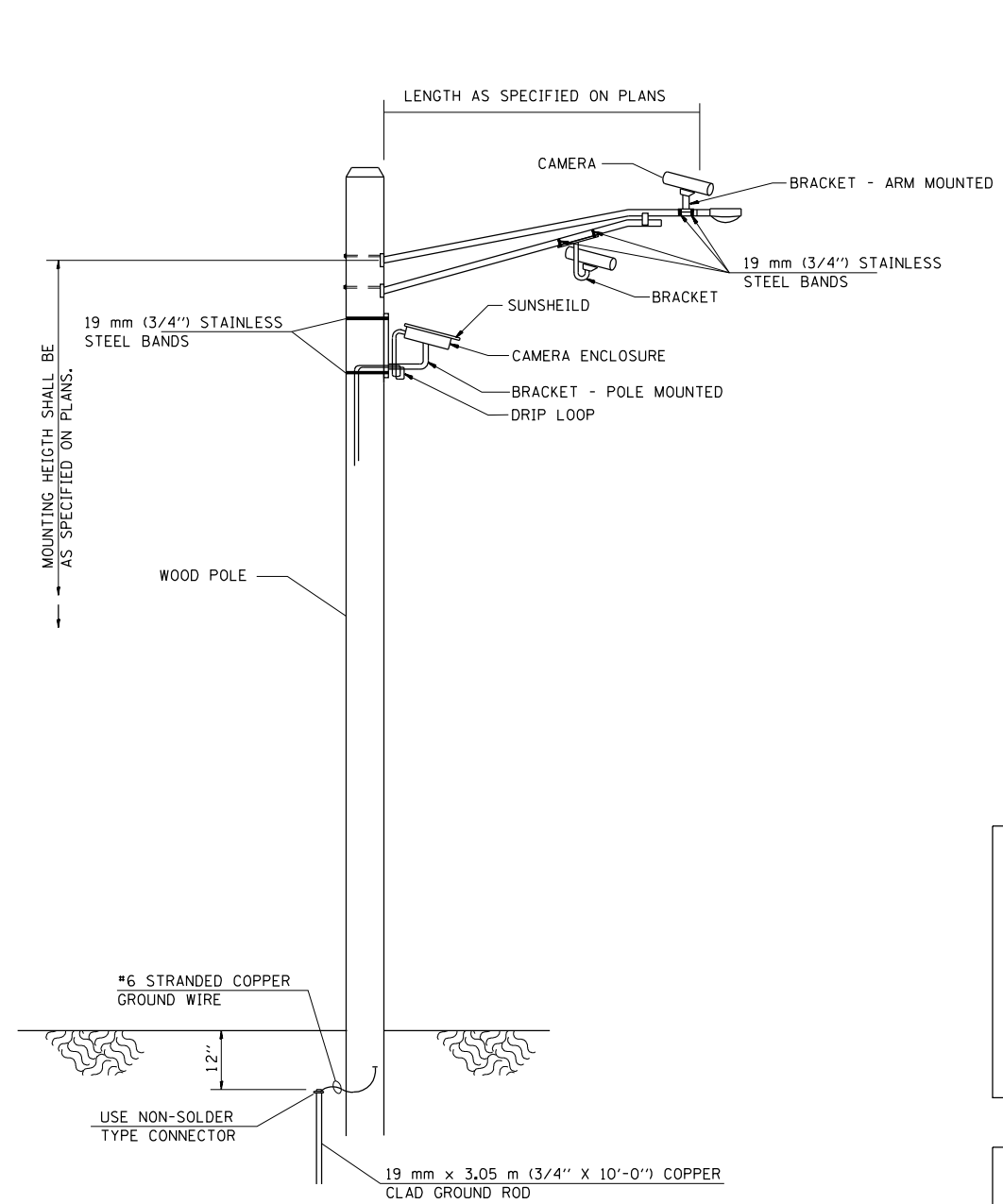
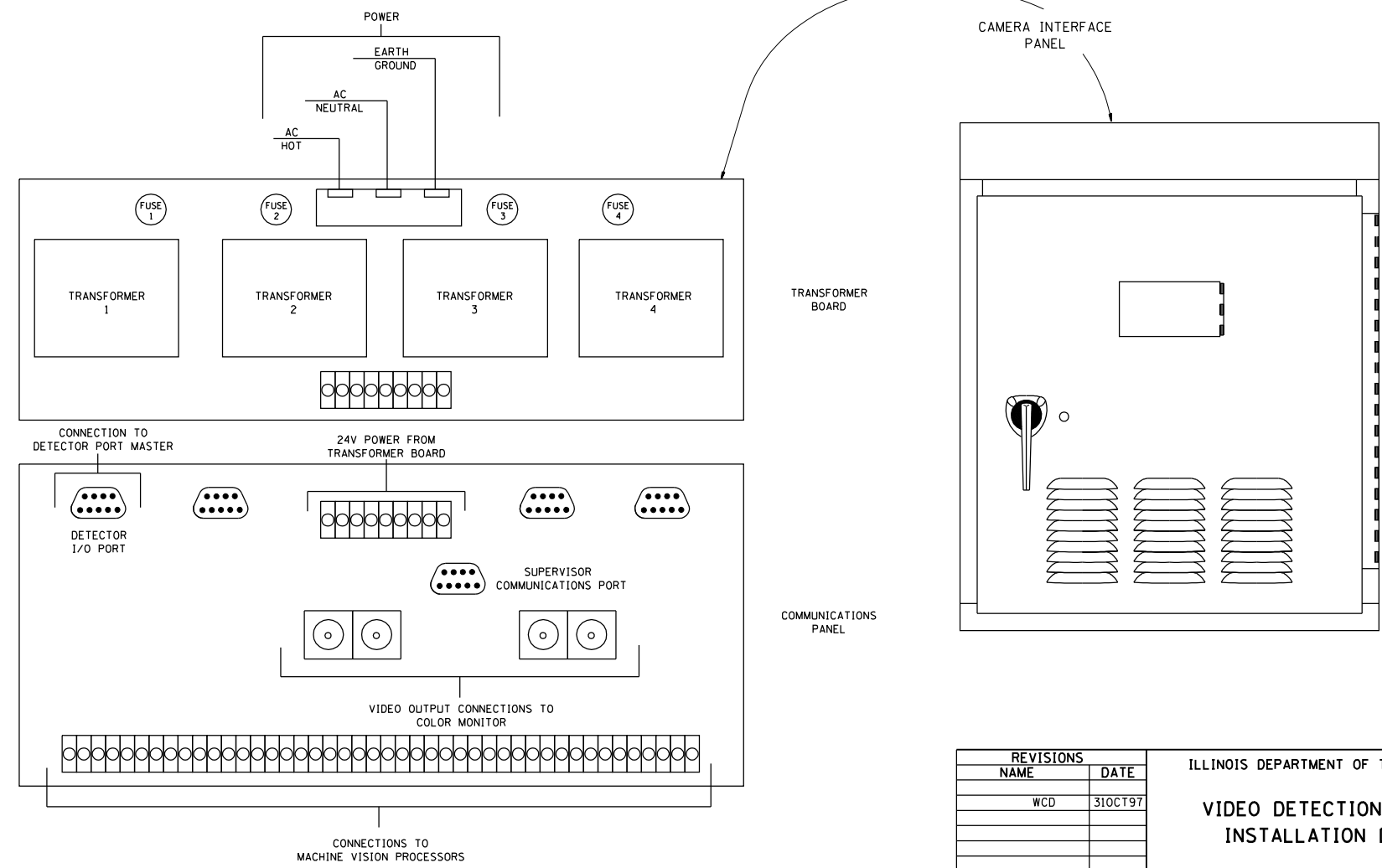
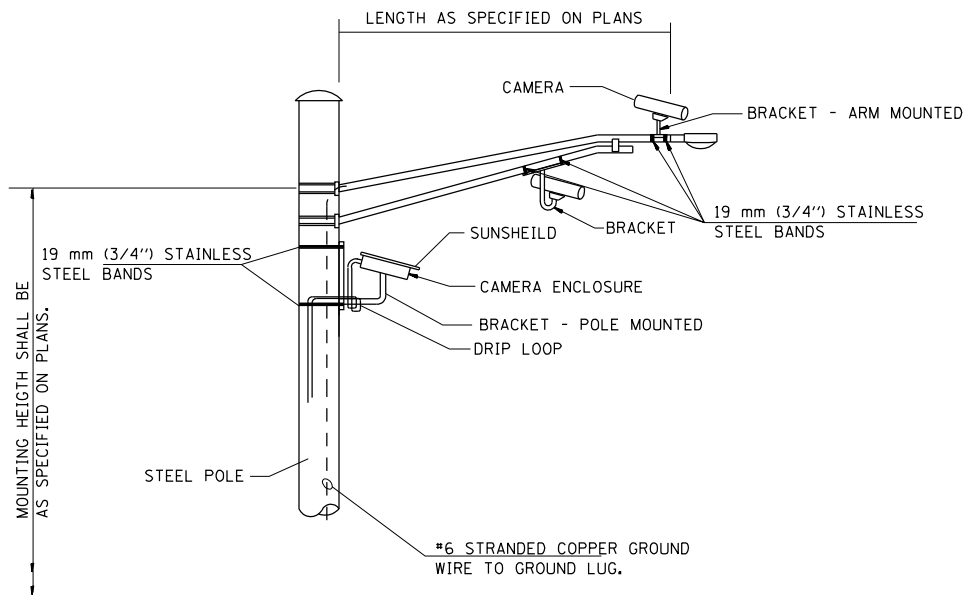


F.A.P. RTE.	SECTION	COUNTY	TOTAL SHEETS	SHEET NO.
320	*	LOGAN	111	61
STA.		TO STA.		
FED. ROAD DIST. NO.	ILLINOIS	FED. AID PROJECT		
* 103, 22 (I, N, TS)				



**VIDEO DETECTION SYSTEM INSTALLATION
ARM MOUNTED OR POLE MOUNTED CAMERA**



REVISIONS	
NAME	DATE
WCD	31OCT97

ILLINOIS DEPARTMENT OF TRANSPORTATION
**VIDEO DETECTION SYSTEM
INSTALLATION DETAIL**
SCALE: VERT. / HORIZ.
DATE: / / DRAWN BY: / CHECKED BY: /

PLOT DATE = 3/28/2007
FILE NAME = c:\projects\65338A\ts_sheets.dgn
PLOT SCALE = 42.352% / IN.
REFERENCE = #REF#