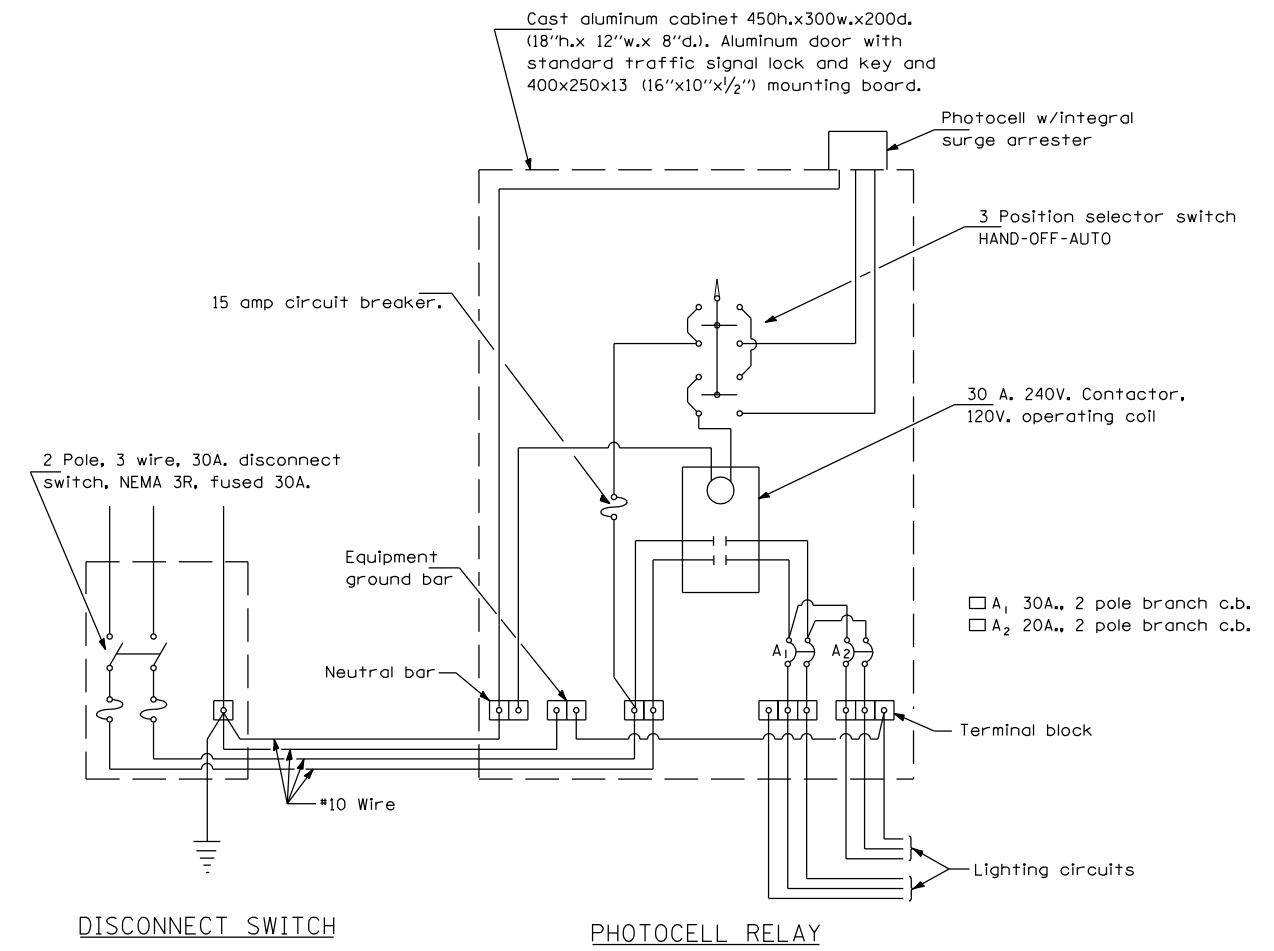
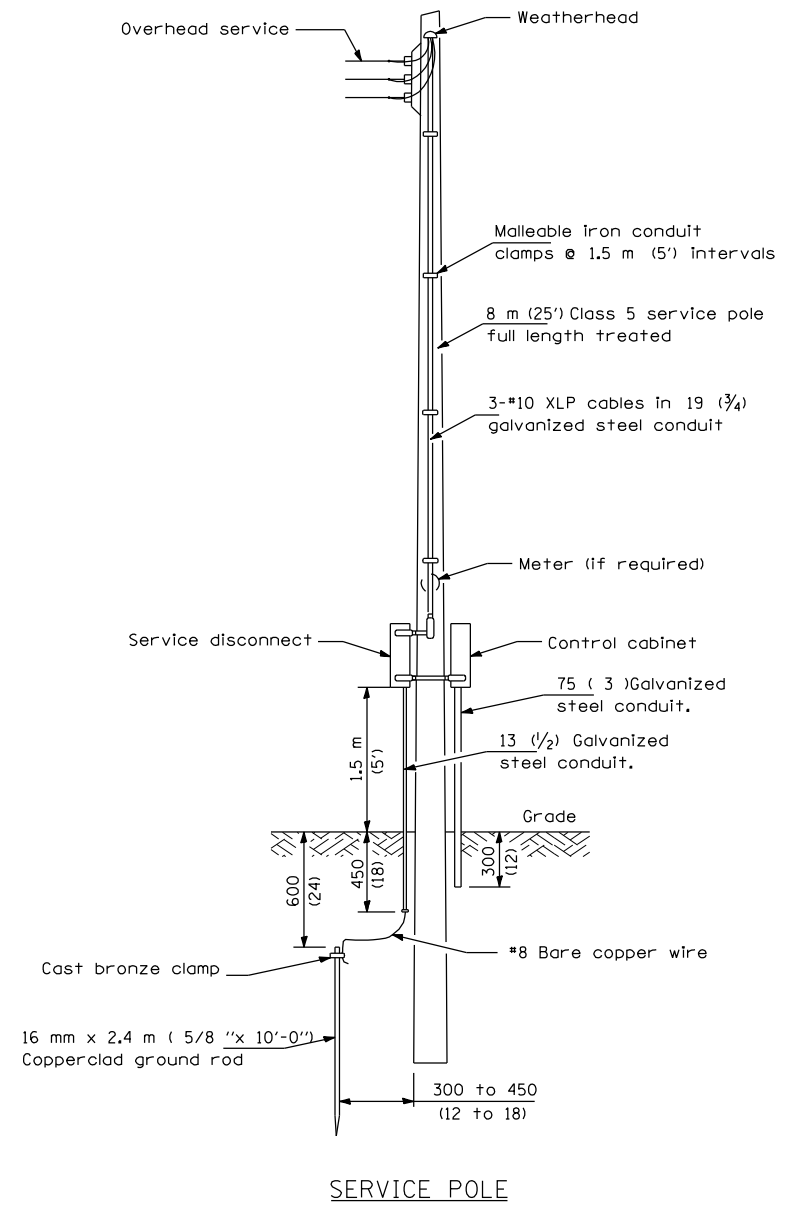


F.A.P. RTE.	SECTION	COUNTY	TOTAL SHEETS	SHEET NO.
320	•	LOGAN	111	63
STA.		TO STA.		
FED. ROAD DIST. NO.	ILLINOIS	FED. AID PROJECT		

• 103, 22 (I, N, TS)



**GENERAL NOTES**

All equipment shall be U.L. Listed.  
All dimensions are in millimeters (inches) unless otherwise shown.

REVISIONS	
NAME	DATE

ILLINOIS DEPARTMENT OF TRANSPORTATION

**CONTROL INSTALLATION**

**SERVICE POLE MOUNTED**

120/240V., 1 PHASE, 3 WIRE SERVICE

SCALE: VERT.      DRAWN BY D&E  
                  HORIZ.      CHECKED BY  
DATE: MARCH 11, 1996

JLGT003