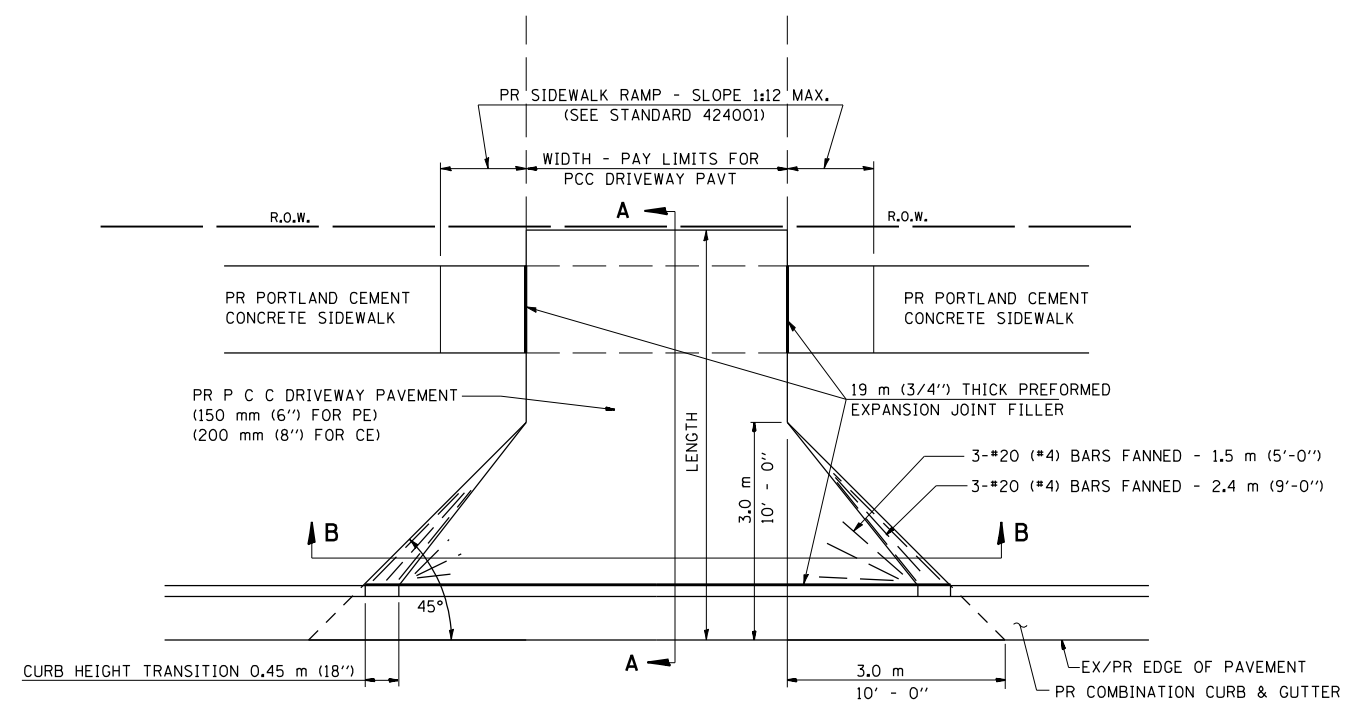
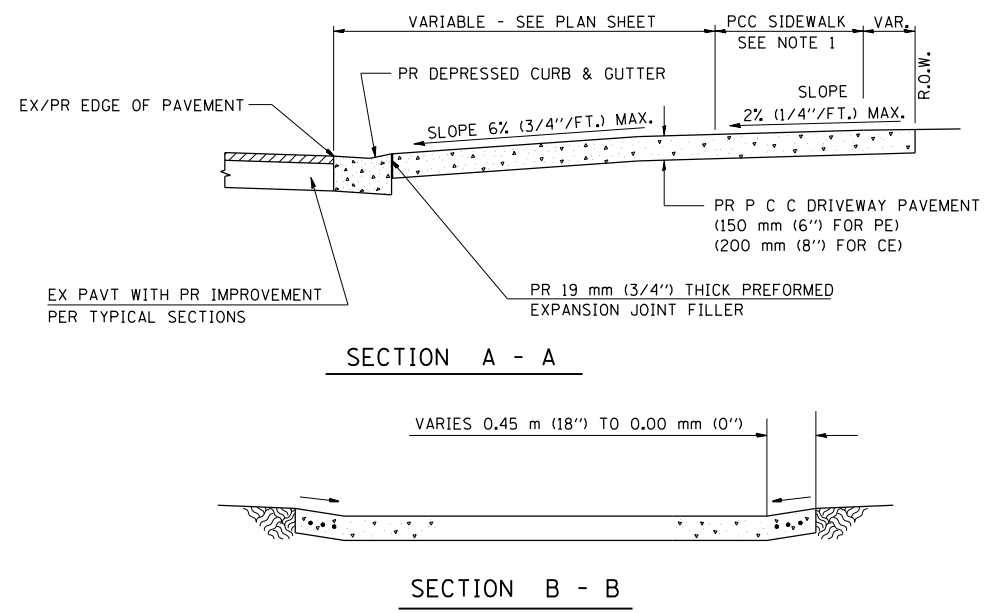


F.A.P. RTE.	SECTION	COUNTY	TOTAL SHEETS	SHEET NO.
320	(103, 221), N, TS	LOGAN	111	69
STA.		TO STA.		
FED. ROAD DIST. NO.	ILLINOIS	FED. AID PROJECT		



PLAN - URBAN PE & CE



- NOTES:
- SEE PLAN SHEET / ENTRANCE PROFILE FOR LOCATION OF SIDEWALK.
  - THE COST OF FURNISHING AND INSTALLING THE 19 mm (3/4'') PREFORMED EXPANSION JOINT FILLER AND REINFORCEMENT BARS SHALL BE INCLUDED IN THE COST OF P.C.C. DRIVEWAY PAVEMENT.

LOCATION (LT/(STA)( + ) RT)	TYPE OF ENTRANCE (FE/PE/CE/MB)	EXIST MATERIAL TYPE (EARTH/ AGG./ BIT./ P. C. C.)	WIDTH  FT	LENGTH (FROM FRONT EDGE OF GUTTER TO LIMITS OF IMPROVEMENT)  FT	DRIVEWAY PAVEMENT REMOVAL  SQ YD	P. C. C DRIVEWAY PAVEMENT 8''  SQ YD
RT. STA. 134+38.34	CE	P. C. C.	45	24.3	143	89.2
RT. STA. 135+ 38.02	CE	P. C. C.	35	20.3	200	77.1
LT. STA. 141+37.35	CE	P. C. C.	36	14.9	117.8	57.1

REVISIONS	
NAME	DATE
TMJ	09-19-05

ILLINOIS DEPARTMENT OF TRANSPORTATION

**DETAIL FOR URBAN ENTRANCE  
IN CURB AND GUTTER SECTION**

SCALE: VERT.  
HORIZ.  
DATE: MARCH 17, 2000

DRAWN BY TMJ  
CHECKED BY JCN

PLOT DATE = 3/20/2007  
FILE NAME = c:\projects\653384\sh3\rentcg.dgn  
PLOT SCALE = 42,353' / IN.  
USER NAME = laughlin-1

