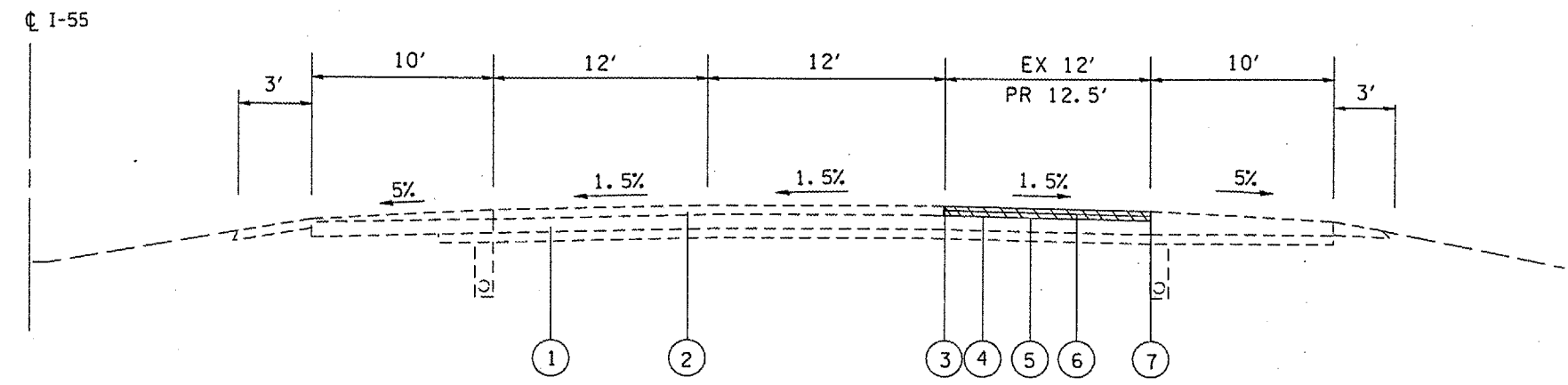


F.A. RTE.	SECTION	COUNTY	TOTAL SHEETS	SHEET NO.
*	**	***	15	11
STA. _____		TO STA. _____		
FED. ROAD DIST. NO. ILLINOIS FED. AID PROJECT				

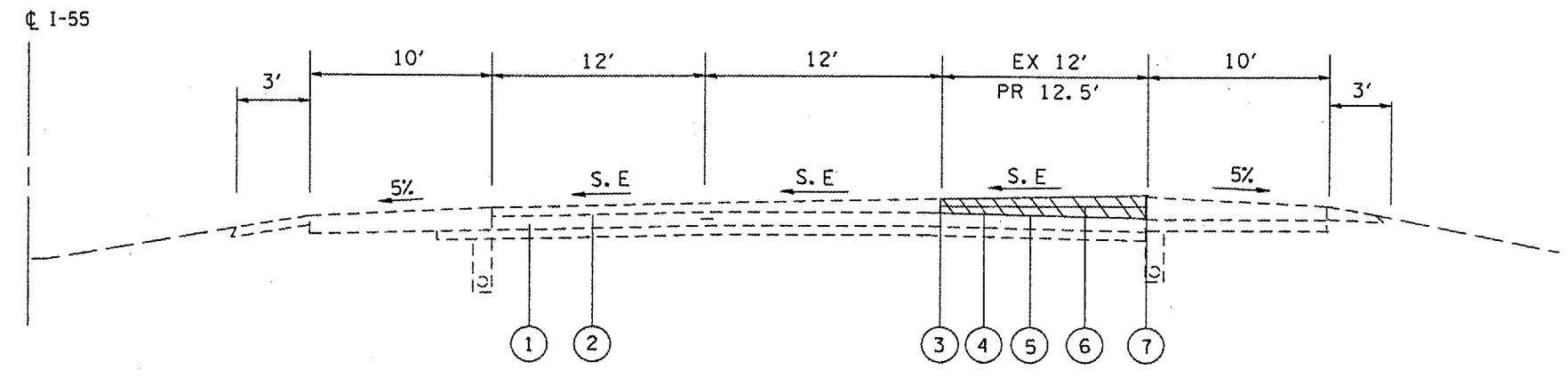
- - FAI 55, FAI 72, FAI 155, FAI 172, FAP 302 (IL 336), FAP 310 (US 67), FAP 75 (IL 29), FAP 745 (IL 104)
- \*\* - D-6 SHOULDER RUMBLE STRIPS 2007
- ADAMS, HANCOCK, LOGAN, MACOUPIN, MONTGOMERY, MORGAN, PIKE, SANGAMON & SCOTT



F.A.I. 55 NORTHBOUND  
STA 170+223 TO 173+441

LEGEND

1. EX 9" CRPCC PVT
2. EX 3 1/4 " BIT SURF
3. PR PREF PL PM TB LINE 5"
4. PR BIT SURF REMOVAL
5. PR POLY HMA BINDER CRSE, IL-19.0, N105 1 3/4"
6. PR POLY HMA SURFACE CRSE, MIX "D", N105 1 1/2"
7. PR POLYUREA PVT MK. TY 2 - LINE 5"



F.A.I. 55 NORTHBOUND  
STA 173+441 TO 173+805

REVISIONS	
NAME	DATE

ILLINOIS DEPARTMENT OF TRANSPORTATION  
**TYPICAL SECTIONS**  
FAI 55, FAI 72, FAI 155, FAI 172, IL 336, US 67  
IL 29, IL 104  
SECTION D-6 SHOULDER RUMBLE STRIPS 2007  
VARIOUS COUNTIES  
SCALE: VERT. \_\_\_\_\_ DRAWN BY \_\_\_\_\_  
DATE \_\_\_\_\_ CHECKED BY \_\_\_\_\_

PLOT DATE: 3/23/2007  
FILE NAME: s:\projects\72b04\shhtypicals.dgn  
PLOT SCALE: 1/8"=1'-0"  
USER NAME: jperand