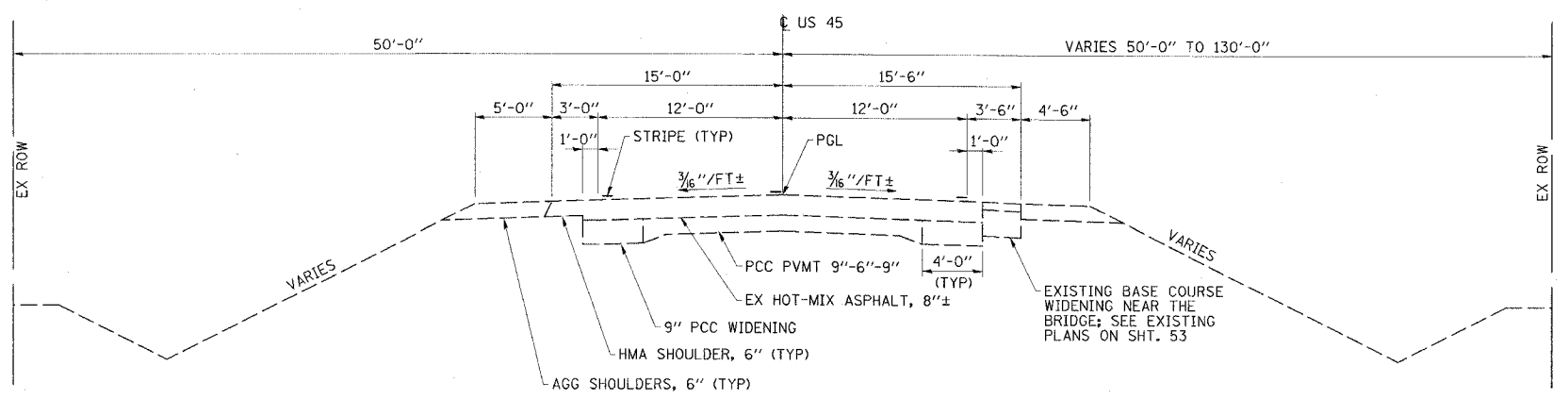
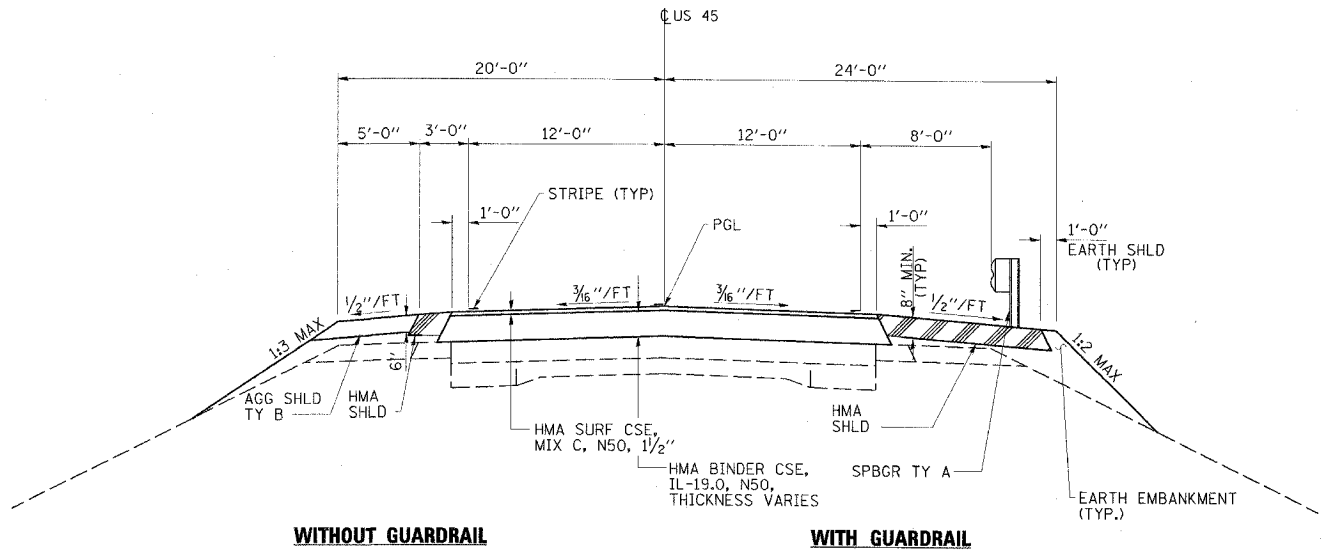




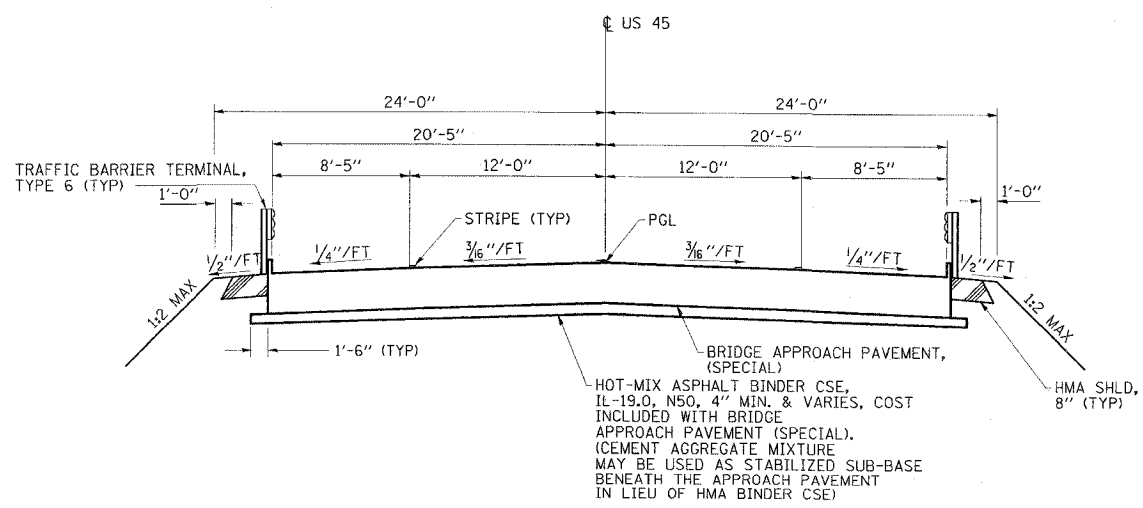
CONTRACT NO. 74037				
FAP RTE	SECTION	COUNTY	TOTAL SHEETS	SHEET NO.
328	6BR-2B-1	CLAY	61	5
STA.	TO STA.			
FED. ROAD DIST. NO.	ILLINOIS	FED. AID PROJECT		



EXISTING TYPICAL ROADWAY SECTION
 STA 1500+00 TO 1516+00
 BRIDGE OMISSION STA 1509+57 TO 1510+43



PROPOSED TYPICAL ROADWAY SECTION
 STA 1506+25 TO 1513+75



AT BRIDGE APPROACH PAVEMENT
PROPOSED TYPICAL ROADWAY SECTION
 STA 1509+25 TO 1511+01
 BRIDGE OMISSION STA 1509+55 TO 1510+71

ESCA CONSULTANTS, INC.		
DESIGNED BY:	JMS	12/06
DRAWN BY:	HAG/KAH	12/06
CHECKED BY:	ELH	03/07
APPROVED BY:	RDP	03/07

TYPICAL SECTIONS
 FAP ROUTE 328 (US 45)
 SECTION (6BR-2B-1)
 CLAY COUNTY