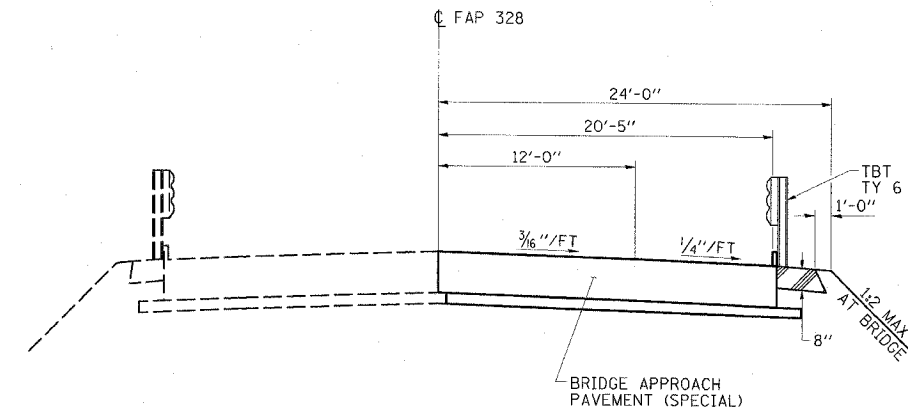
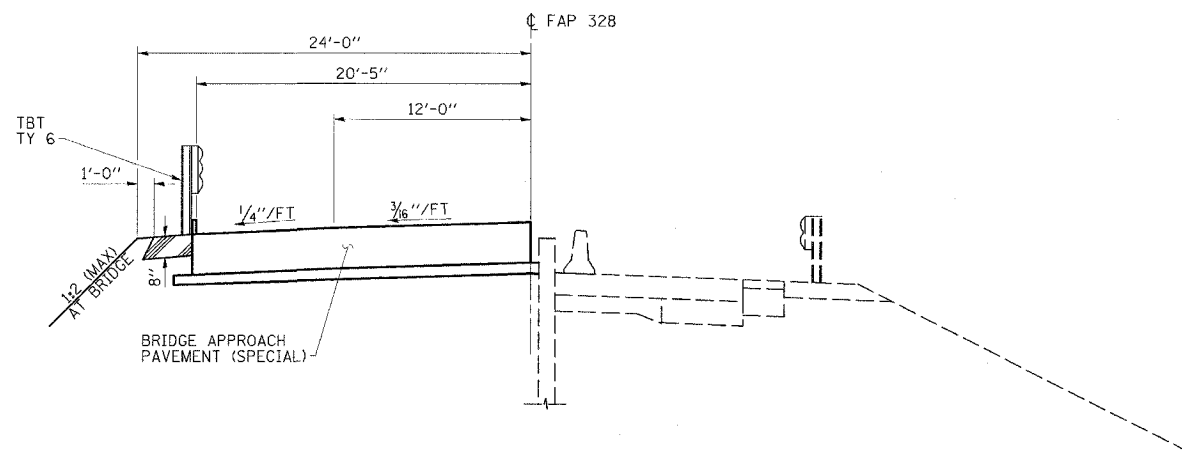
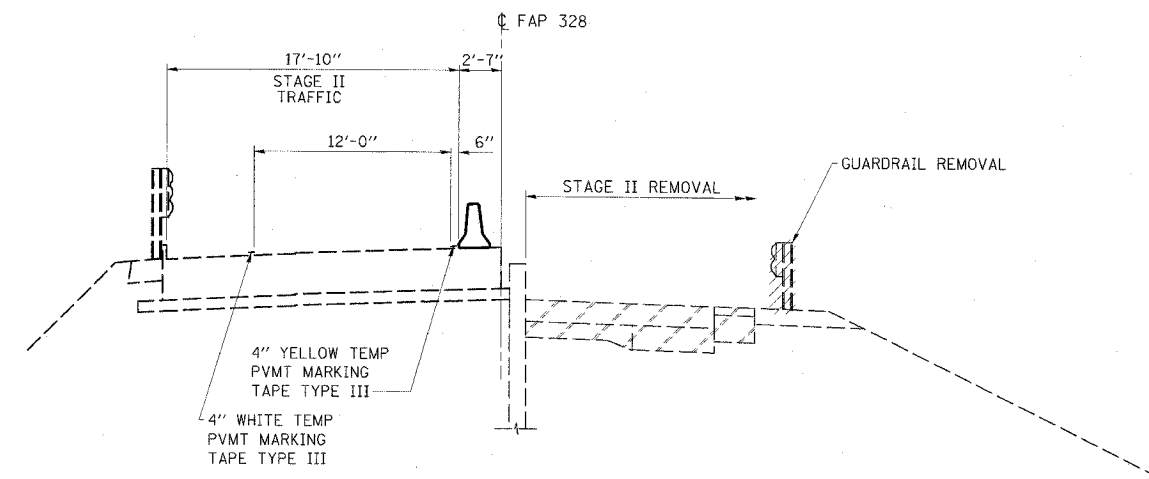
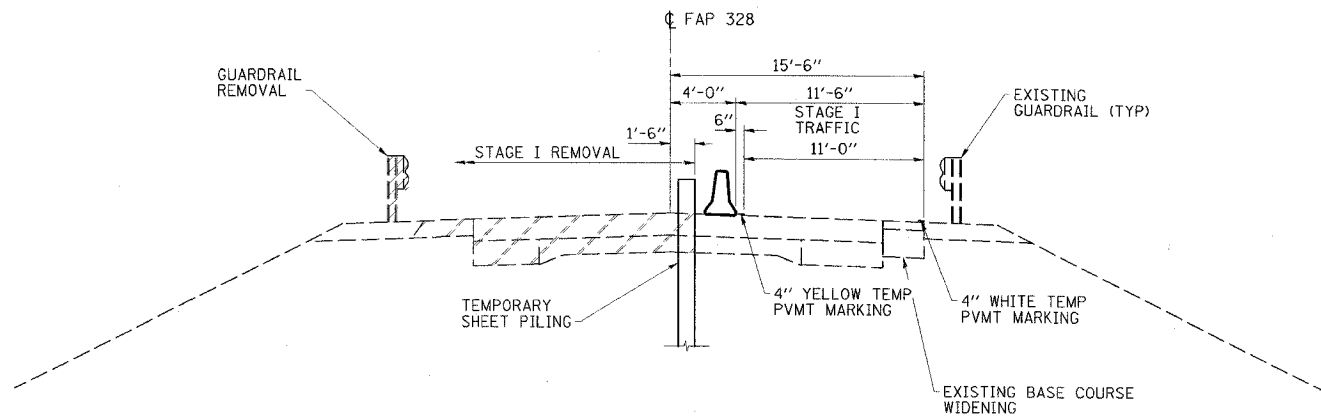


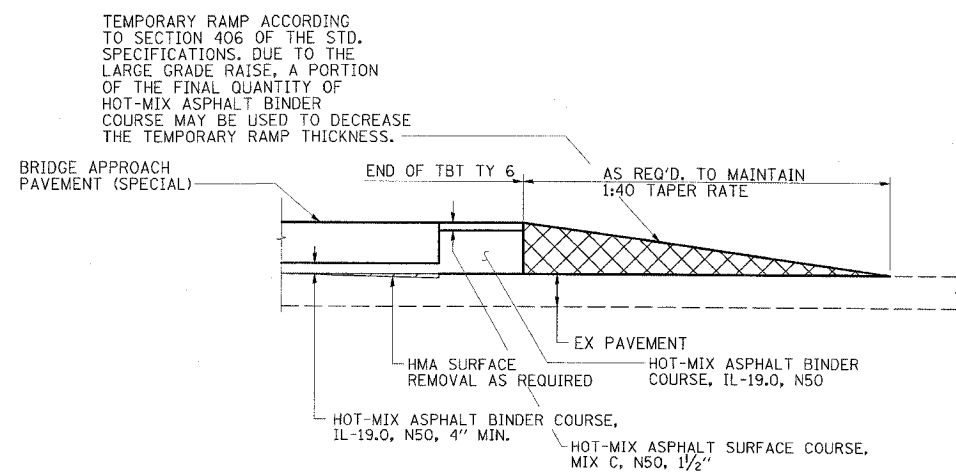


FAP RTE	SECTION	COUNTY	TOTAL SHEETS	SHEET NO.
328	(6BR-2)B-1	CLAY	61	14
STA.	TO STA.			
FED. ROAD DIST. NO.	ILLINOIS	FED. AID PROJECT		

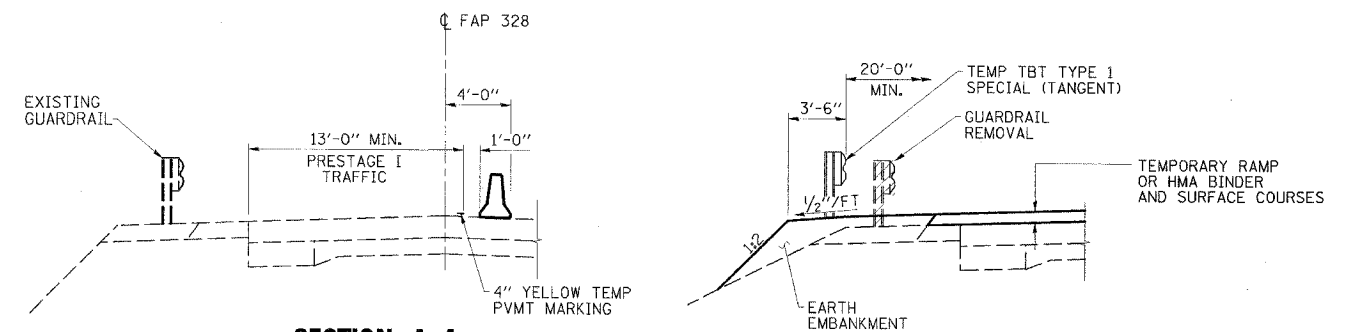


SECTION B-B

SECTION E-E



SECTION C



SECTION A-A

SECTION D

ESCA
CONSULTANTS, INC.

DESIGNED BY:	ELH	02/07
DRAWN BY:	HAG	02/07
CHECKED BY:	ELH	02/07
APPROVED BY:	RDP	02/07

STAGE CONSTRUCTION DETAILS
FAP ROUTE 328 (US 45)
SECTION (6BR-2)B-1
CLAY COUNTY