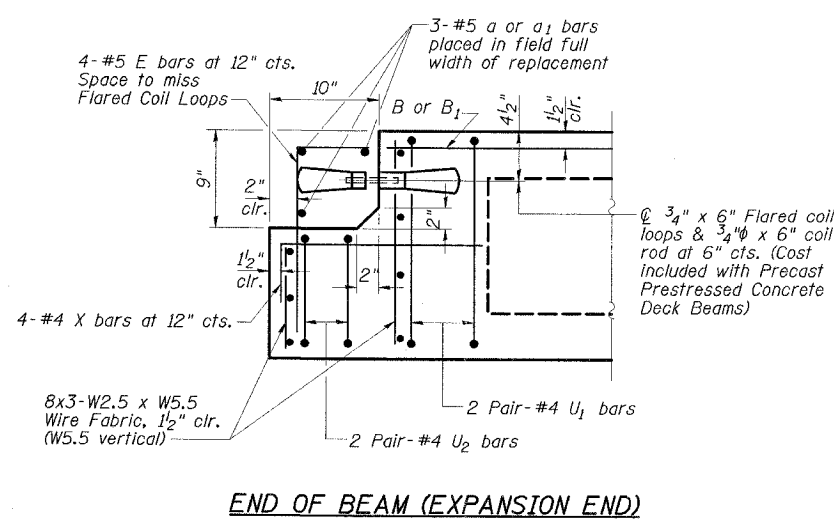
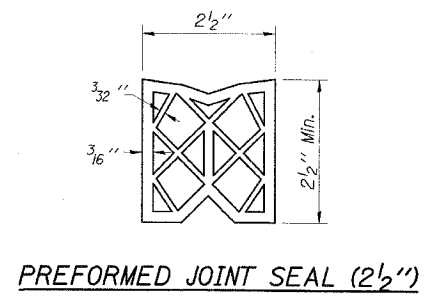
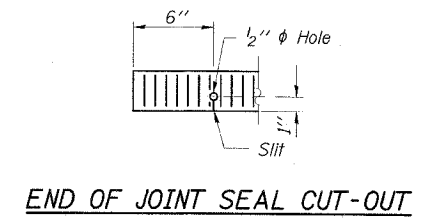
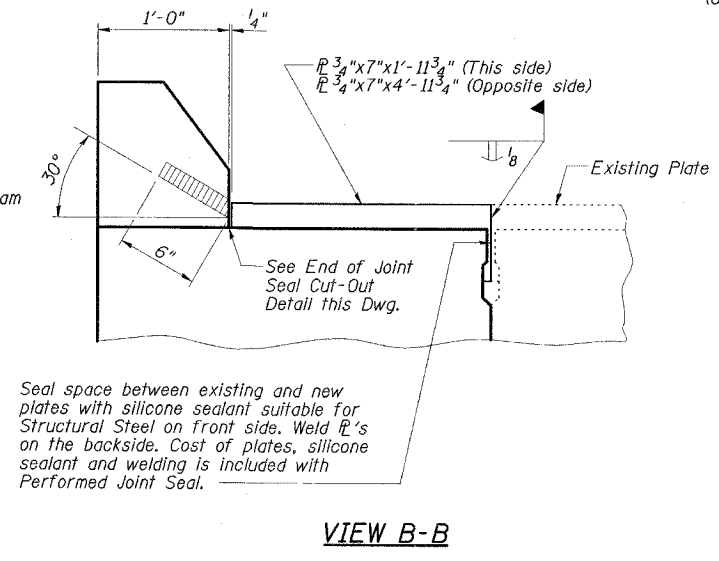
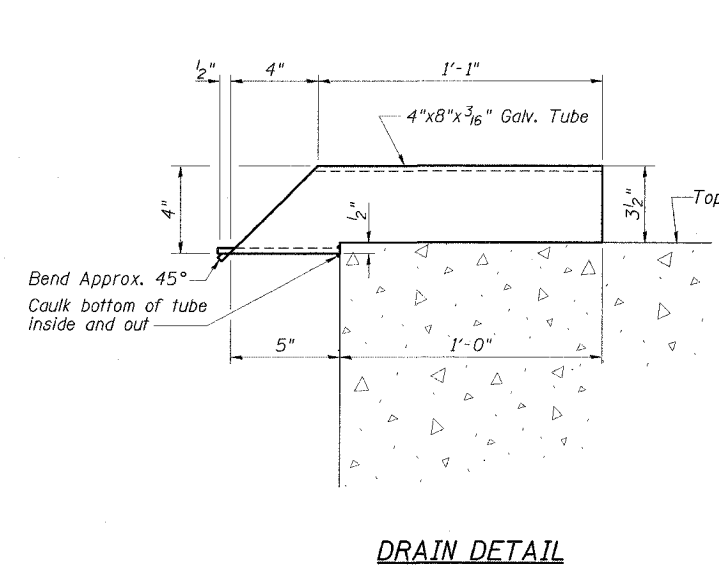
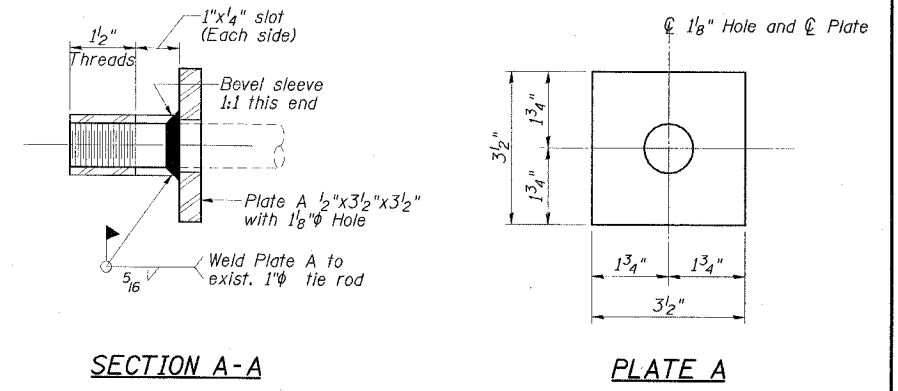
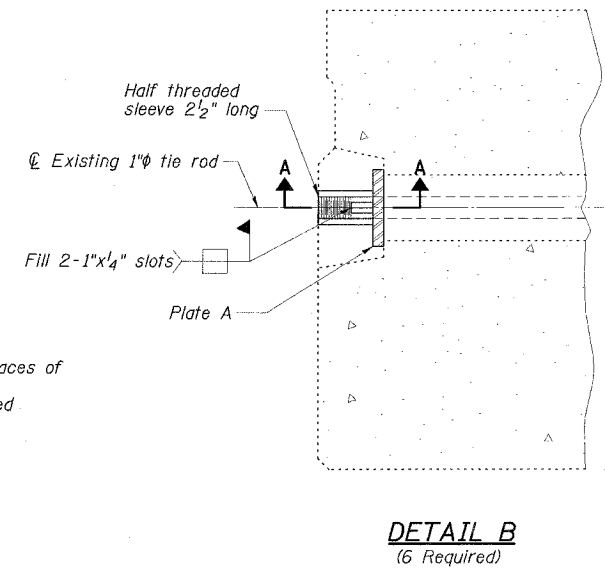
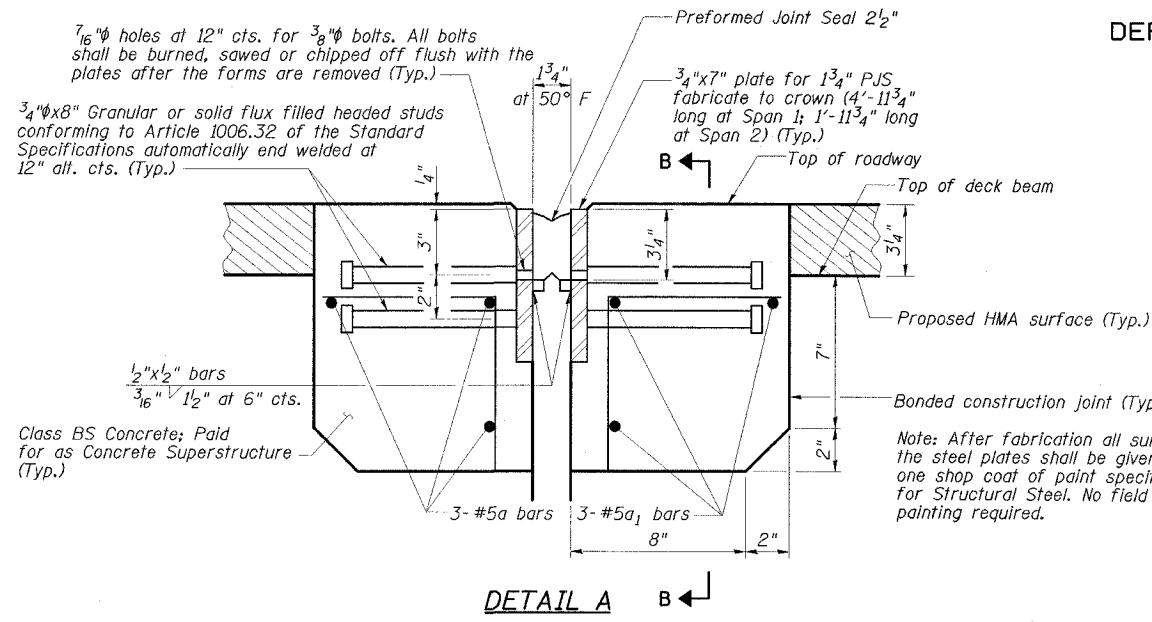


STATE OF ILLINOIS
DEPARTMENT OF TRANSPORTATION

ROUTE NO.	SECTION	COUNTY	SHEET NO.	SHEET
FAP 328	*	CLAY	61	24
FED. ROAD DIST. NO.	ILLINOIS	FED. AID PROJECT - AID		
CONTRACT NO. 74037			* (GBR-2)B-1	

SHEET NO. 7
26 SHEETS



BILL OF MATERIAL

Bar	No.	Size	Length	Shape
a	3	#5	5'-8"	---
a1	3	#5	2'-8"	---
e	8	#4	21'-9"	---
Concrete Superstructure			Cu. Yd.	3.4
Reinforcement Bars			Pound	150
Performed Joint Seal 2 1/2"			Foot	6

DECK BEAM REPLACEMENT DETAILS
US ROUTE 45 OVER
BUCK CREEK
FAP RTE 328-SECTION (6BR-2)B-1
CLAY COUNTY
STATION 1510+13.00
STRUCTURE NO. 013-0041

ESCA
CONSULTANTS, INC.

DESIGNED BY:	ELH	01/07
DRAWN BY:	CJ	01/07
CHECKED BY:	ELH	03/07
APPROVED BY:	RDP	03/07