

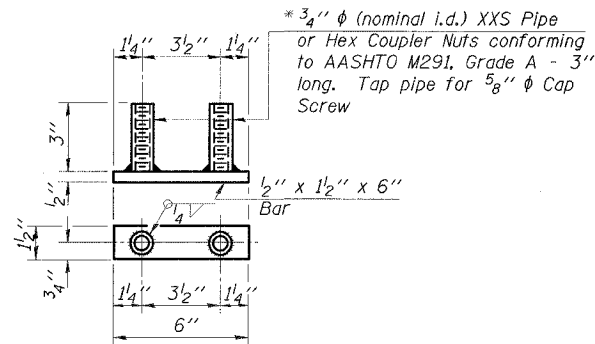
STATE OF ILLINOIS
DEPARTMENT OF TRANSPORTATION

ROUTE NO.	SECTION	COUNTY	SHEETS	SHEET NO.
FAP 328	*	CLAY	61	25
FED. ROAD DIST. NO.	ALIGNMENT	FED. AID PROJECT - AID		
			CONTRACT NO. 74037 *6BR-2)B-1	

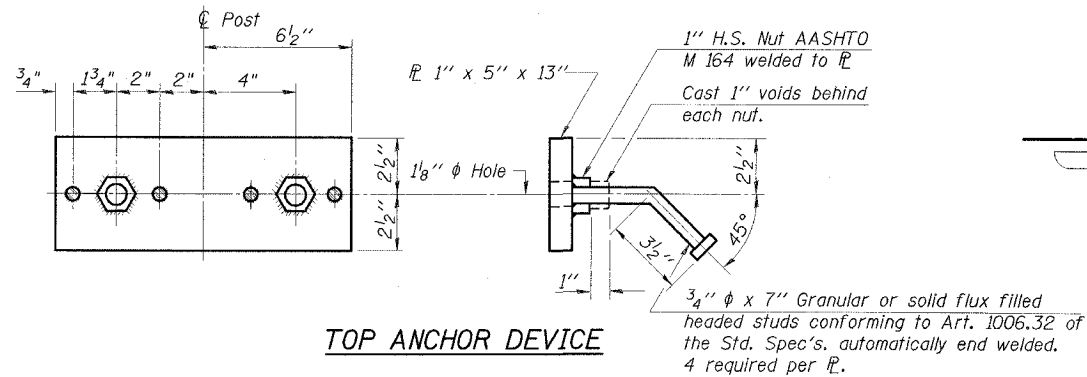
NOTES

1. Bolts, cap screws, and nuts shall conform to the requirements of ASTM designation A 307 except for high strength bolts nuts and washers noted which shall conform to AASHTO M 164.
2. All bolts, nuts, cap screws, washers and lock washers shall be galvanized according to AASHTO M 232.
3. Anchor devices shall be galvanized after shop fabrication according to AASHTO M 111 and ASTM A 385. Cost of anchorage devices is included with the cost of Precast Prestressed Concrete Deck Beams of the depth specified in these contract plans.
4. Sufficient 1/4" galvanized steel shims of the dimensions shown shall be provided to align rail between adjacent spans.
5. The 1" high strength bolts connecting the angles to the concrete shall be tightened to a snug fit and given an additional 1/8 turn. The 5/8" cap screws in bottom of posts shall be tightened to snug fit only.
6. The length paid for will be overall length along the rail from end to end, in place, at the location of re-erection.
7. Removing and Re-erecting Existing Railing. This work will be paid for at the contract unit price per foot for which price shall include removal, temporary storage, re-erection, shims and all new hardware required to satisfactorily complete the work.

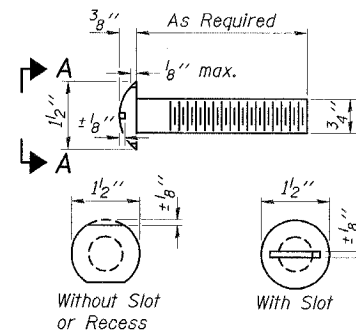
* Threaded areas shall be plugged or blocked off during casting of beam.



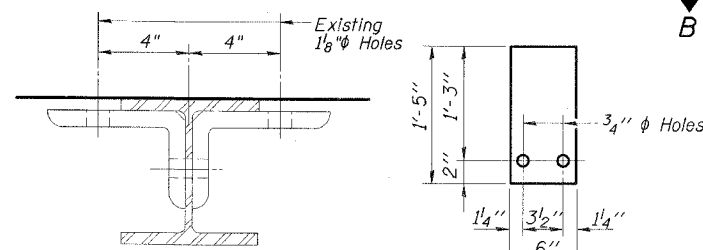
BOTTOM ANCHOR DEVICE



TOP ANCHOR DEVICE

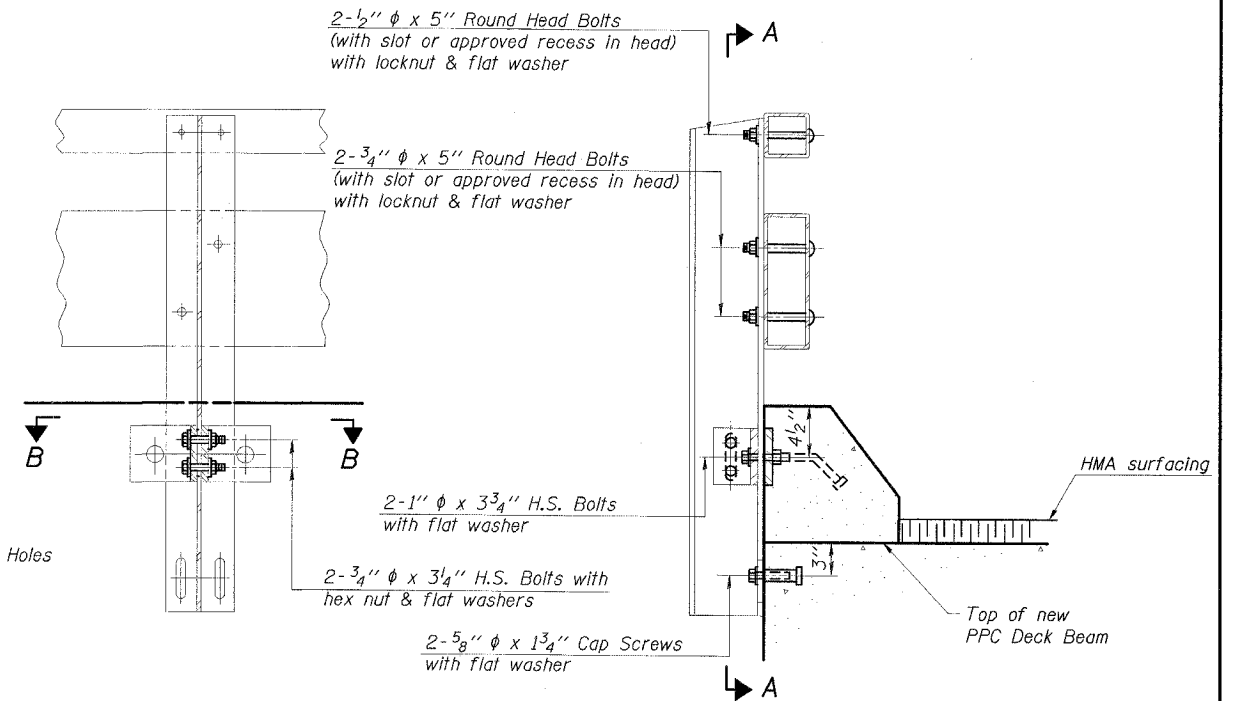


**VIEW A-A
ROUND HEAD BOLT**



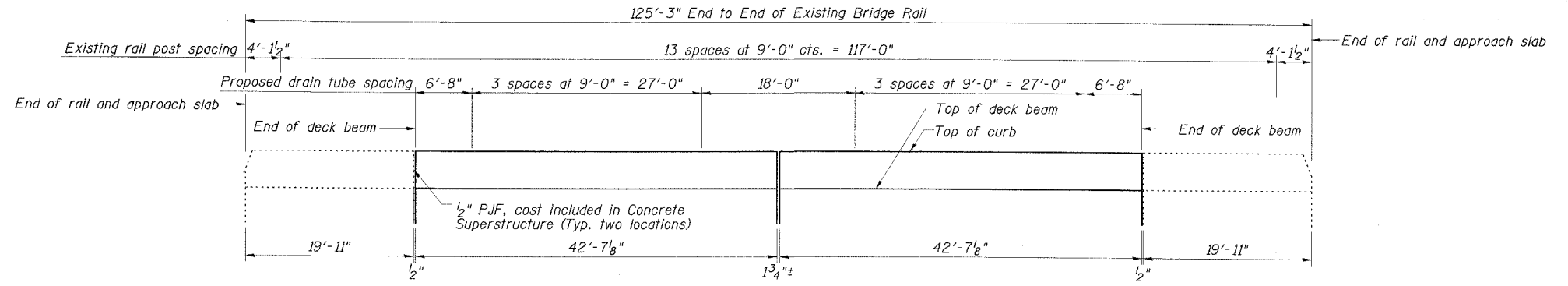
SECTION B-B

1/4" SHIM PLATE



SECTION A-A

SECTION AT RAIL POST



CURB ELEVATION

DECK BEAM REPLACEMENT DETAILS
US ROUTE 45 OVER
BUCK CREEK
FAP RTE 328-SECTION (6BR-2)B-1
CLAY COUNTY
STATION 1510+13.00
STRUCTURE NO. 013-0041

ESCA
CONSULTANTS, INC.

DESIGNED BY:	ELH	01/07
DRAWN BY:	CJ	01/07
CHECKED BY:	ELH	01/07
APPROVED BY:	RDP	01/07