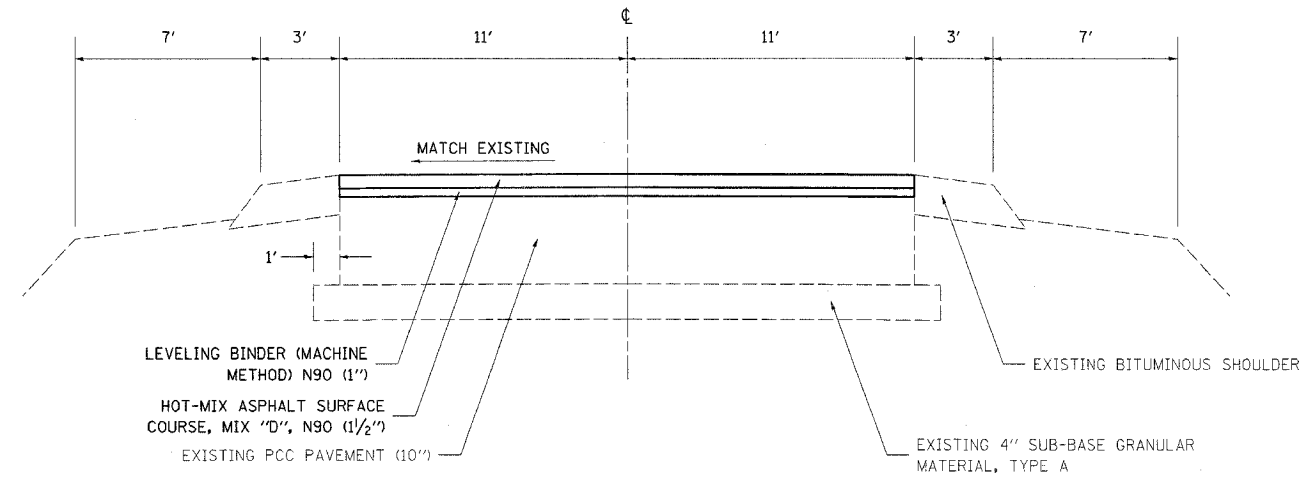
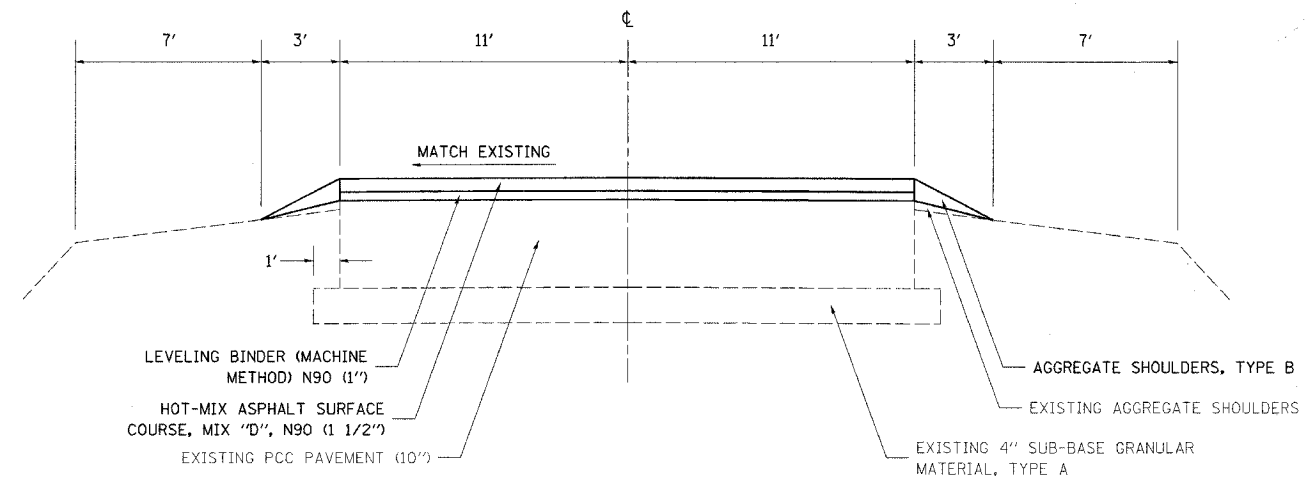


F.A.P. RTE.	SECTION	COUNTY	TOTAL SHEETS	SHEET NO.
328	*	WAYNE	19	4
STA.		TO STA.		
FED. ROAD DIST. NO.	ILLINOIS	FED. AID PROJECT		

• (24-2,24)RS-1



TYPICAL SECTION
STA 0+35 TO STA 0+85



TYPICAL SECTION
STA 0+85 TO STA 2+48
STA 6+35 TO STA 20+50
STA 27+91 TO STA 45+08

PLOT DATE = #DATE#
FILE NAME = #FILE#
PLOT SCALE = #SCALE#
USER NAME = #USER#

REVISIONS	
NAME	DATE

ILLINOIS DEPARTMENT OF TRANSPORTATION

TYPICAL SECTIONS

SCALE: VERT.
HORIZ.
DATE

DRAWN BY
CHECKED BY