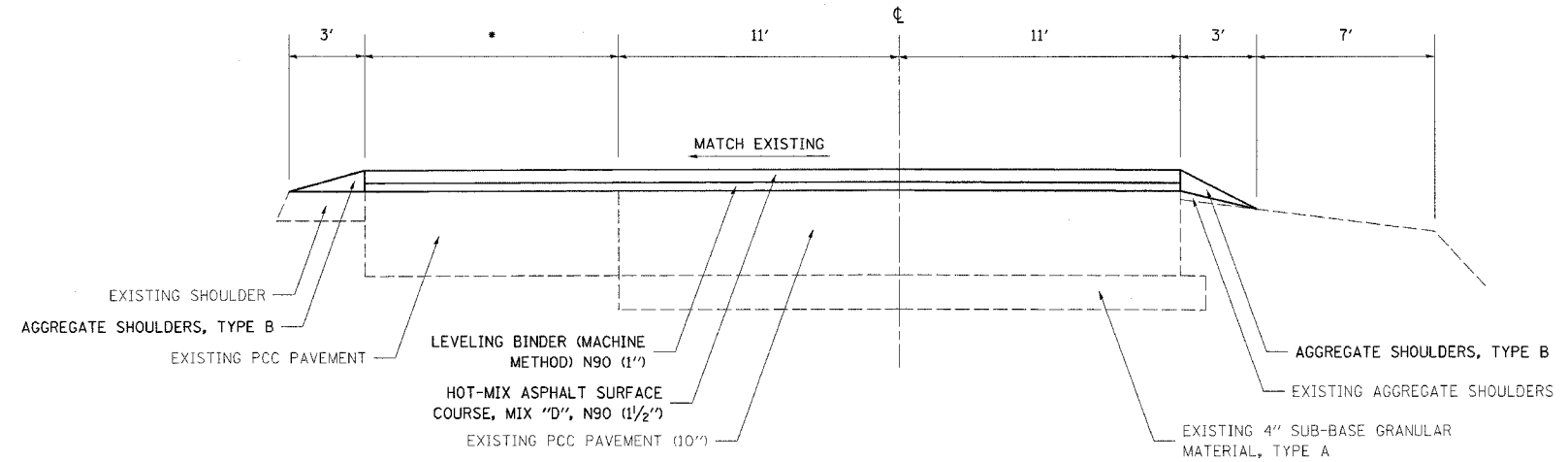


F.A.P. RTE.	SECTION	COUNTY	TOTAL SHEETS	SHEET NO.
328	*	WAYNE	19	5
STA.		TO STA.		
FED. ROAD DIST. NO.		ILLINOIS FED. AID PROJECT		

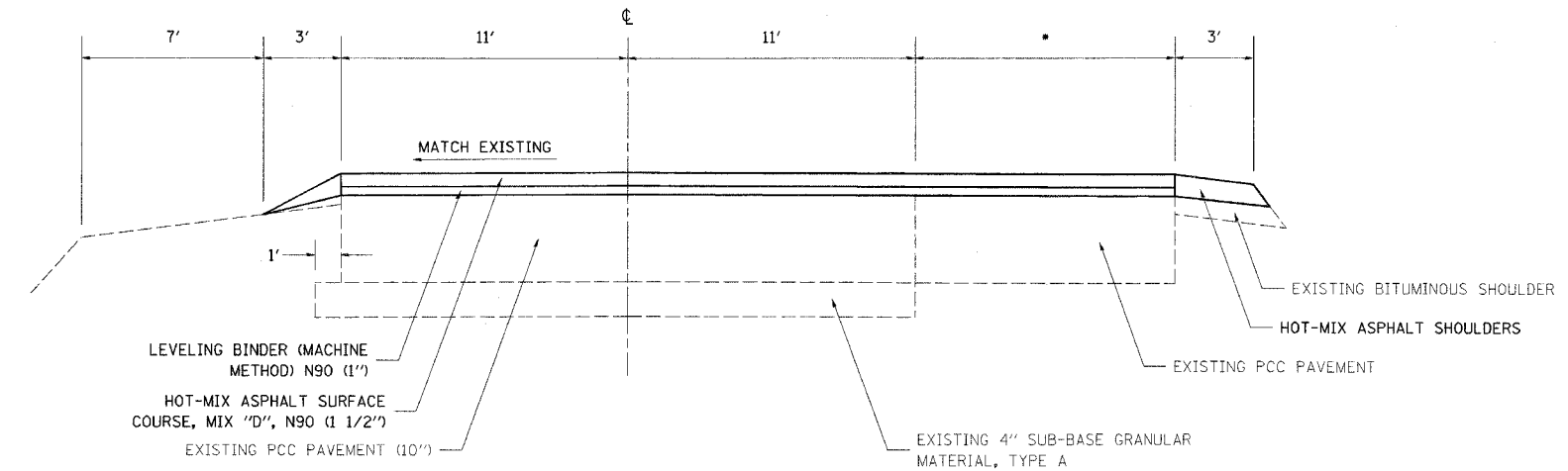
(24-2,24)RS-1



TYPICAL SECTION

STA 2+48 TO STA 6+35

- NOTE: STA 2+48 TO STA 3+80 *=-0' -12'
- STA 3+80 TO STA 6+35 *=-12'



TYPICAL SECTION

STA 20+50 TO STA 27+91

- NOTE: STA 20+50 TO STA 23+04 *=-0' -12'
- STA 23+04 TO STA 27+91 *=-12'

PLOT DATE * DATE *
 FILE NAME * FILEL *
 USER NAME * USERN

REVISIONS	
NAME	DATE

ILLINOIS DEPARTMENT OF TRANSPORTATION

TYPICAL SECTIONS

SCALE: VERT.
 HORIZ.
 DATE

DRAWN BY
 CHECKED BY