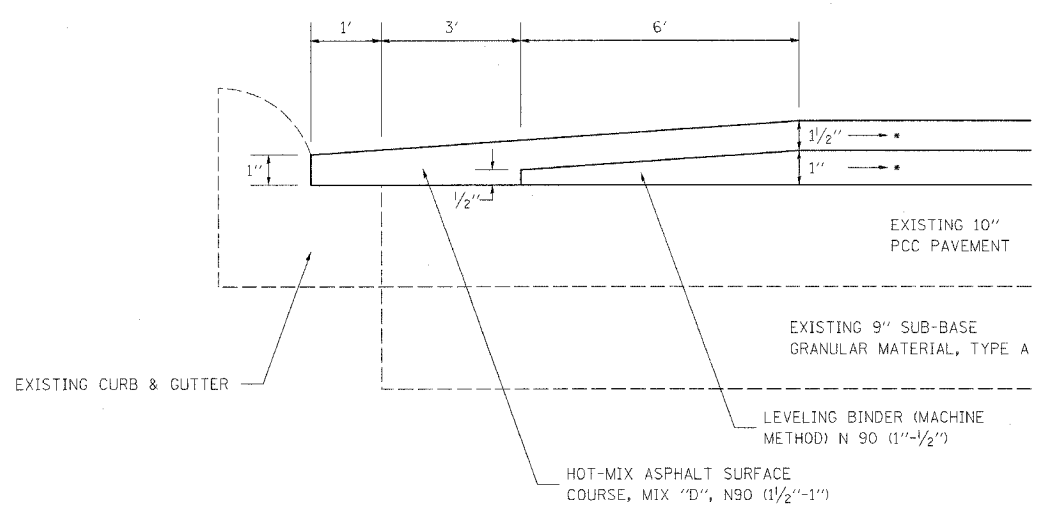
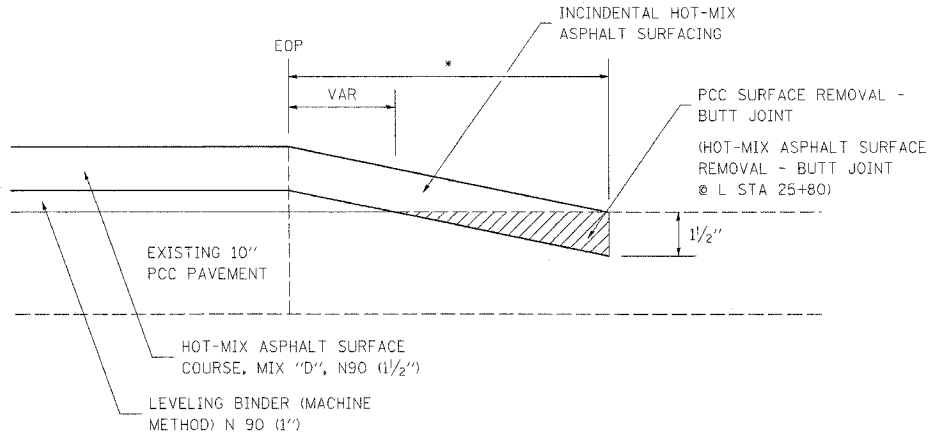


F.A.P. RTE.	SECTION	COUNTY	TOTAL SHEETS	SHEET NO.
328		WAYNE	19	7
STA.		TO STA.		
FED. ROAD DIST. NO.		ILLINOIS	FED. AID PROJECT	
(24-2,24Z)RS-1				

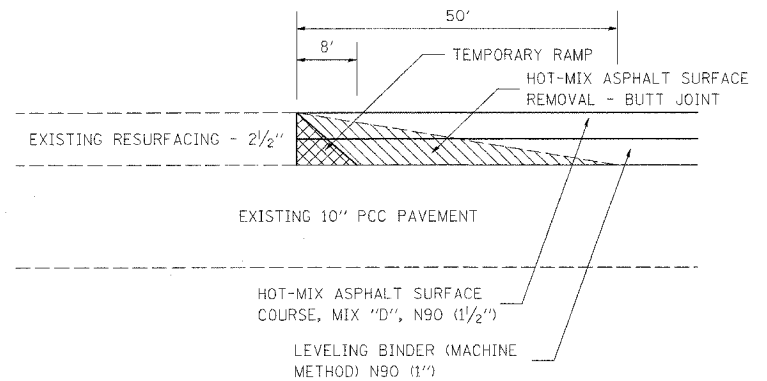


PARKING LANE DETAIL
 BOTH SIDES OF PAVEMENT
 STA 45+08 TO STA 85+98
 • CONSTANT THICKNESS TO CENTERLINE

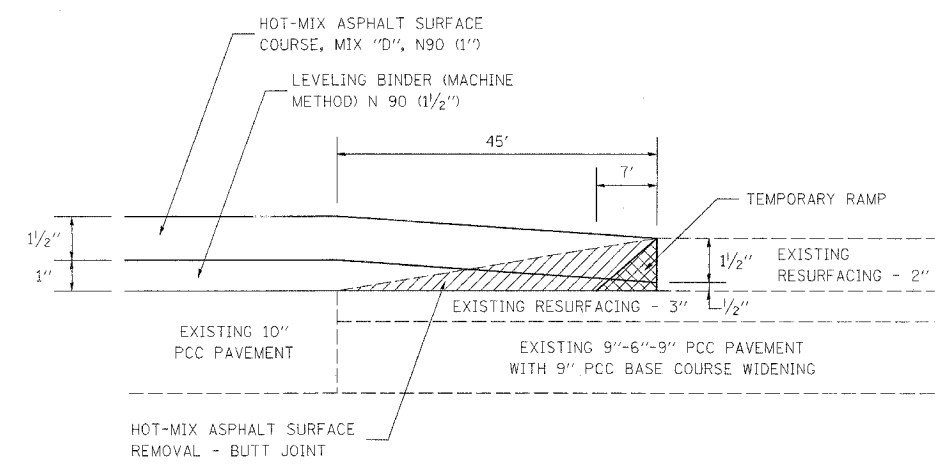


SIDE ROAD BUTT JOINT DETAIL

	PRA	* = (FT)
L STA	5+78	15.0
R STA	5+78	9.0
L STA	15+45	10.0
R STA	15+45	9.5
L STA	25+80	10.0
R STA	25+80	15.0
L STA	44+88	10.0
R STA	44+88	10.0



BUTT JOINT DETAIL
 STA 0+35 TO STA 0+85



BUTT JOINT DETAIL
 STA 85+53 TO STA 85+98

PLOT DATE = #DATE#
 FILE NAME = #FILE#
 PLOT SCALE = #SCALE#
 USER NAME = #USER#

REVISIONS	
NAME	DATE

ILLINOIS DEPARTMENT OF TRANSPORTATION

BUTT JOINT DETAILS

SCALE: VERT. _____
 HORIZ. _____

DATE _____

DRAWN BY _____
 CHECKED BY _____