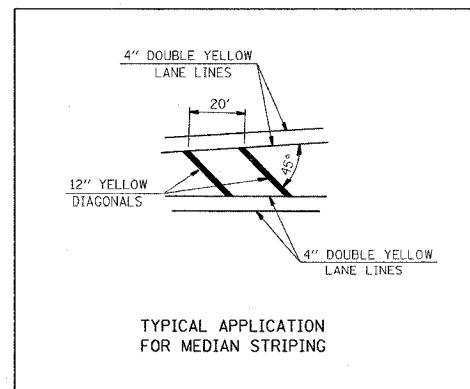
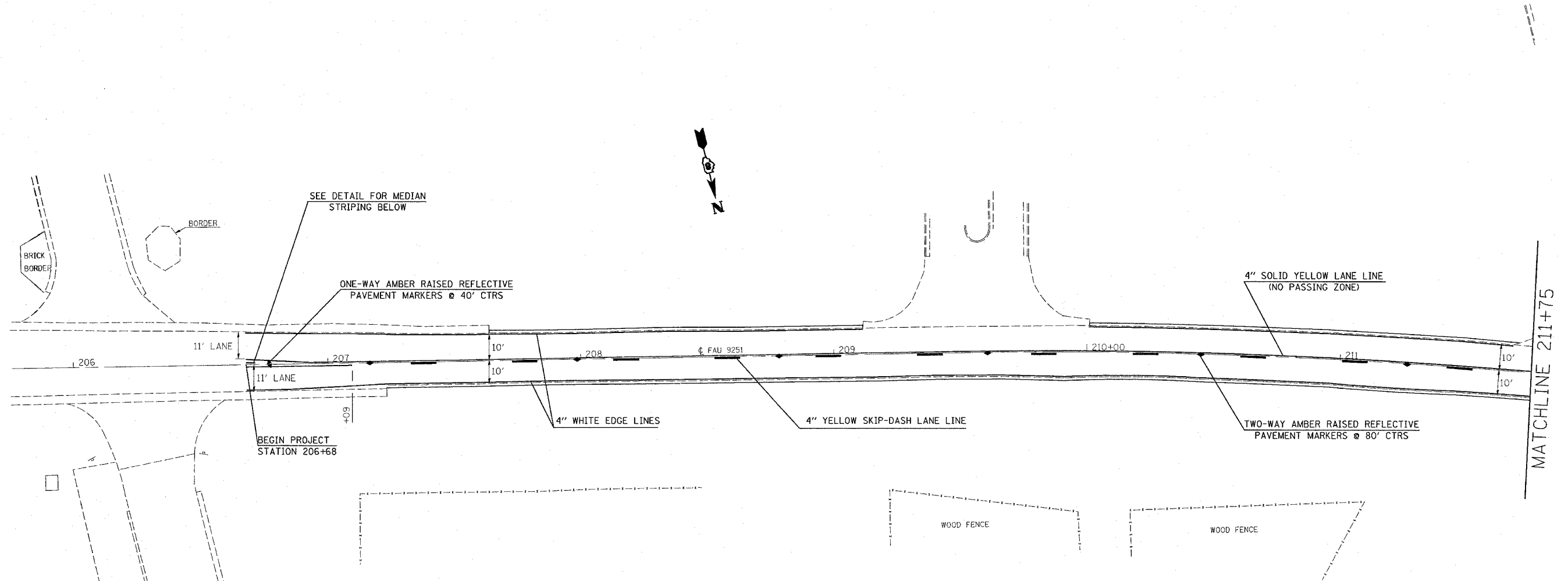


F.A.U. RTE.	SECTION	COUNTY	TOTAL SHEETS	SHEET NO.
9251	28-3RS-1	ST CLAIR	21	15
STA. 205+75		TO STA. 211+75		
FED. ROAD DIST. NO.		ILLINOIS FED. AID PROJECT		

NOTE:

ALL PAVEMENT MARKINGS SHALL BE IN ACCORDANCE WITH STANDARD 780001 UNLESS SHOWN OTHERWISE.



REVISIONS	
NAME	DATE

ILLINOIS DEPARTMENT OF TRANSPORTATION
PAVEMENT MARKING PLAN
 FAU 9251
 SECTION 28-3RS-1
 ST CLAIR COUNTY

SCALE: VERT. _____
 HORIZ. _____
 DATE _____
 DRAWN BY _____
 CHECKED BY _____

PLOT DATE = 3/13/2007
 PLOT SCALE = 1" = 20'-0"
 PLOT SCALE = 1" = 20'-0"
 REFERENCE = REF#