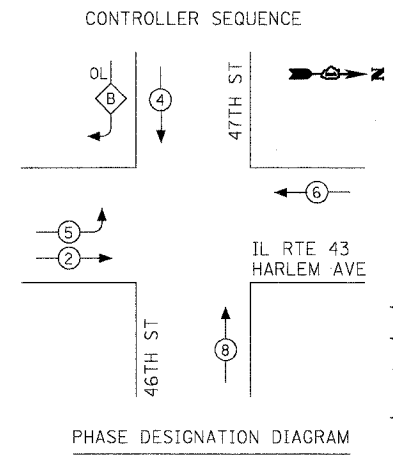
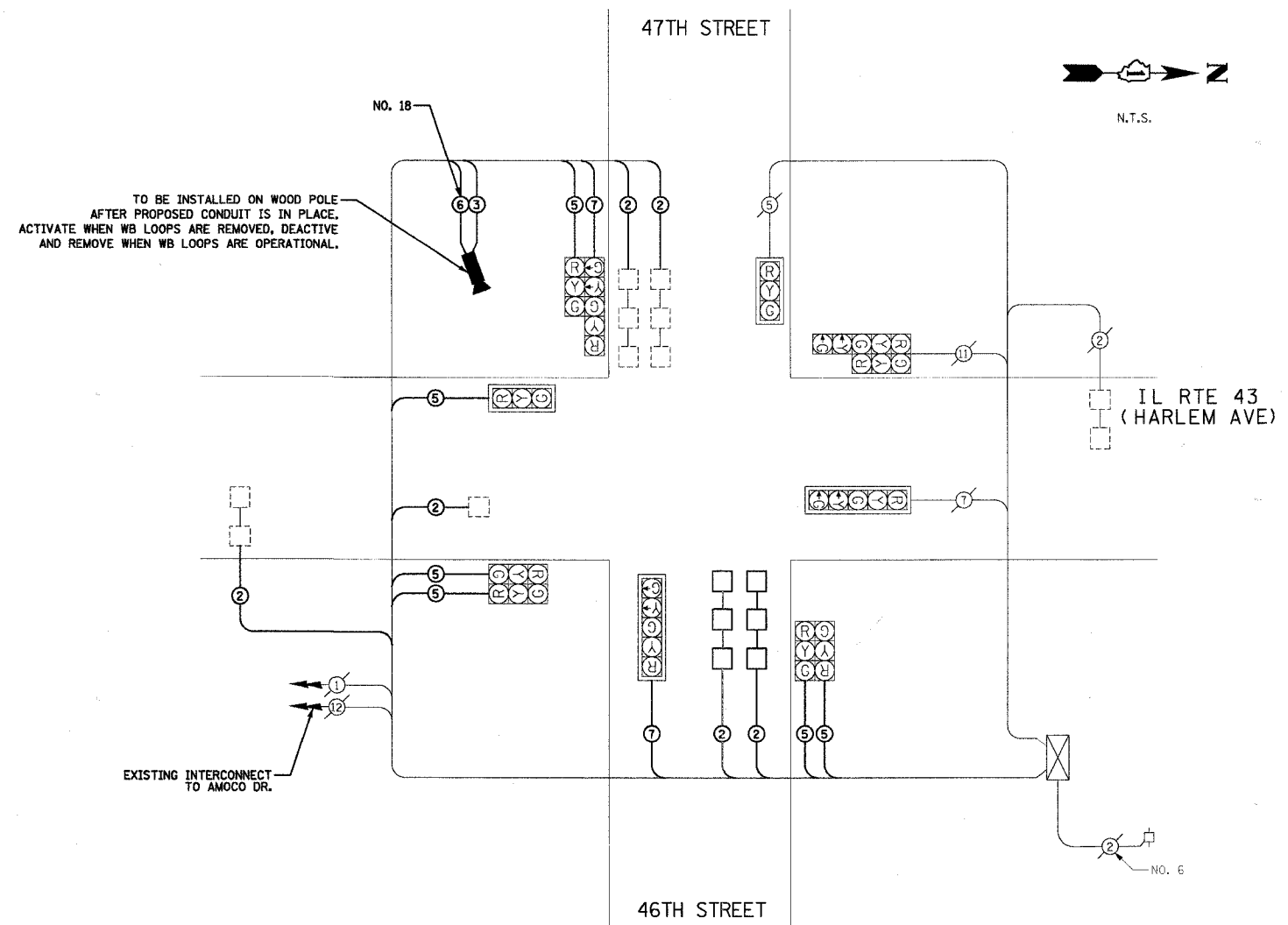


CABLE PLAN LEGEND

- | | | |
|----------|----------|---|
| EXISTING | PROPOSED | |
| | | 8" (200mm) TRAFFIC SIGNAL SECTION |
| | | 12" (300mm) TRAFFIC SIGNAL SECTION |
| | | 12" (300mm) PEDESTRIAN SIGNAL SECTION |
| | | 12" (300mm) PEDESTRIAN SIGNAL SECTION |
| | | CONTROLLER CABINET |
| | | SERVICE INSTALLATION |
| | | TELEPHONE CONNECTION |
| | | VEHICLE DETECTOR, INDUCTION LOOP |
| | | MAGNETIC DETECTOR |
| | | EMERGENCY VEHICLE LIGHT DETECTOR |
| | | CONFIRMATION BEACON |
| | | PUSHBUTTON DETECTOR |
| | | ① GROUND CABLE IN CONDUIT NO. 6 SOLID COPPER (GREEN) |
| | | ②④ FIBER OPTIC CABLE IN CONDUIT NO. 62.5/125 MM12F SM12F |
| | | SIGNAL FACE WITH BACKPLATE. "P" INDICATES PROGRAMMED HEAD. |
| | | RAILROAD CONTROL CABINET |
| | | ILLUMINATED SIGN "NO LEFT TURN" |
| | | ILLUMINATED SIGN "NO RIGHT TURN" |
| | | GROUND ROD AT HANDHOLE (H), DOUBLE HANDHOLE (HH), OR CONTROLLER (C) |
| | | GROUND ROD AT POST (P) OR MAST ARM POLE (MA) |
| | | GROUND ROD AT ELECTRIC SERVICE INSTALLATION |
| | | VIDEO VEHICLE SENSOR |

PROPOSED CABLE PLAN



OVERLAP LETTER = PERMISSIVE PHASE + PROTECTED PHASE
 B = 4 + 5

F.A.U. RTE.	SECTION	COUNTY	TOTAL SHEETS	SHEET NO.
1488	05-0016-00-RS	COOK	24	24

PROJECT NO.: M-8003(571)
 CONTRACT NO.: 83884

- LEGEND**
- DUAL ENTRY PHASE
 - SINGLE ENTRY PHASE
 - OVERLAP
 - PEDESTRIAN PHASE
 - NUMBER REFERS TO ASSOCIATED PHASE

SCHEDULE OF QUANTITIES

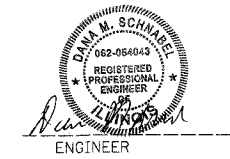
QTY	UNIT	ITEM DESCRIPTION
27	FOOT	CONDUIT IN TRENCH, 2" DIA., GALVANIZED STEEL
3	FOOT	CONDUIT IN TRENCH, 2 1/2" DIA., GALVANIZED STEEL
2	FOOT	CONDUIT IN TRENCH, 4" DIA., GALVANIZED STEEL
22	FOOT	CONDUIT PUSHED, 2 1/2" DIA., GALVANIZED STEEL
58	FOOT	CONDUIT PUSHED, 3" DIA., GALVANIZED STEEL
59	FOOT	CONDUIT PUSHED, 4" DIA., GALVANIZED STEEL
1	EACH	HANDHOLE
32	FOOT	TRENCH AND BACKFILL FOR ELECTRICAL WORK
1	EACH	MAINTENANCE OF EXISTING TRAFFIC SIGNAL INSTALLATION
699	FOOT	ELECTRIC CABLE IN CONDUIT, SIGNAL NO. 14 5C
353	FOOT	ELECTRIC CABLE IN CONDUIT, SIGNAL NO. 14 7C
851	FOOT	ELECTRIC CABLE IN CONDUIT, LEAD-IN, NO. 14 1 PAIR
4	FOOT	CONCRETE FOUNDATION, TYPE A
5	EACH	DRILL EXISTING HANDHOLE
1	EACH	INDUCTIVE LOOP DETECTOR
198	FOOT	DETECTOR LOOP, TYPE I
2	EACH	RELOCATE EXISTING SIGNAL HEAD
1	EACH	RELOCATE EXISTING TRAFFIC SIGNAL POST
1	EACH	MODIFY EXISTING CONTROLLER
1175	FOOT	REMOVE ELECTRIC CABLE FROM CONDUIT
237	FOOT	REMOVE AND REINSTALL ELECTRIC CABLE FROM CONDUIT
1	EACH	REMOVE EXISTING HANDHOLE
1	EACH	REMOVE EXISTING CONCRETE FOUNDATION
1	EACH	REBUILD EXISTING HANDHOLE

I.D.O.T. TRAFFIC SIGNAL INSTALLATION ELECTRICAL SERVICE REQUIREMENTS				TOTAL WATTAGE
TYPE	NO. LAMPS	WATTAGE (INCAND. LED)	X OPERATION	
SIGNAL (RED)	12	135	0.50	810.0
(YELLOW)	12	135	0.25	405.0
(GREEN)	12	135	0.25	405.0
ARROW	8	135	0.10	108.0
PED. SIGNAL	-	90	1.00	-
CONTROLLER	1	100	1.00	100.0
ILLUM. SIGN	-	84	0.05	-
FLASHER	-	-	0.50	-
TOTAL =				1828.0

ENERGY COSTS TO: ILLINOIS DEPARTMENT OF TRANSPORTATION
 201 WEST CENTER COURT
 SCHAMBURG, ILLINOIS 60196-1096

ENERGY SUPPLY CONTACT: _____
 PHONE: () _____
 COMPANY: _____

FOUNDATION (DEPTH)	FT. (m)	CABLE SLACK	FT. (m)	VERTICAL	FT. (m)
TYPE A - POST	4 (1.2)	HANDHOLE	6.5 (2.0)	ALL FOUNDATIONS	3.5 (1.0)
D - CONTROLLER	4 (1.2)	DOUBLE HANDHOLE	13 (4.0)	MAST ARM (L) POLE	20'+L-2'
E - M. ARM POLE	-	SIGNAL POST	2 (1.0)		(6m+L-0.6m)±
24" (600mm)	10 (3.0)	CONTROLLER CAB.	1 (0.5)	BRACKET MOUNTED	13 (4.0)
30" (750mm)	15 (4.6)	FIBER OPTIC	13 (4.0)	PED. PUSHBUTTON	4 (1.2)
36" (900mm)	15 (4.6)	ELECTRIC SERVICE	1 (0.5)	ELECTRIC SERVICE	13.5 (4.1)
		GROUND CABLE	1 (0.5)	SERVICE TO GROUND	13.5 (4.1)
				POST MOUNTED	6 (1.8)



DANA M. SCHNABEL
 ILLINOIS REGISTRATION No. 062-054043
 EXPIRATION DATE: 11-30-2007
 PROFESSIONAL DESIGN FIRM No.: 184-001747

REVISIONS	
NAME	DATE

KLOA
 Kenig, Lindgren, O'Hara, Aboona, Inc.
 9575 West Higgins Road, Suite 400
 Rosemont, Illinois 60018
 P: (847) 518-9990 F: (847) 618-9987
 PROJECT # 06-136

ILLINOIS DEPARTMENT OF TRANSPORTATION
CABLE PLAN, PHASE DESIGNATION DIAGRAM & SCHEDULE OF QUANTITIES
 ILL RTE 43 (HARLEM AVE.)
 AT 46TH STREET/47TH STREET

SCALE: NONE
 DATE: 11/01/2006

DRAWN BY: GJG
 DESIGNED BY: GJG
 CHECKED BY: DMS