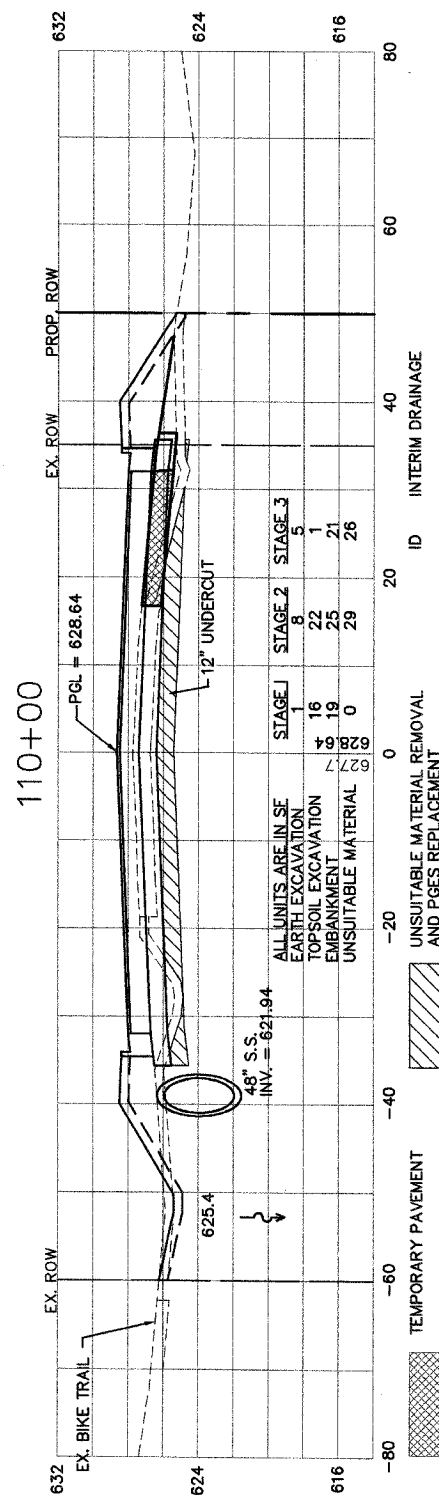
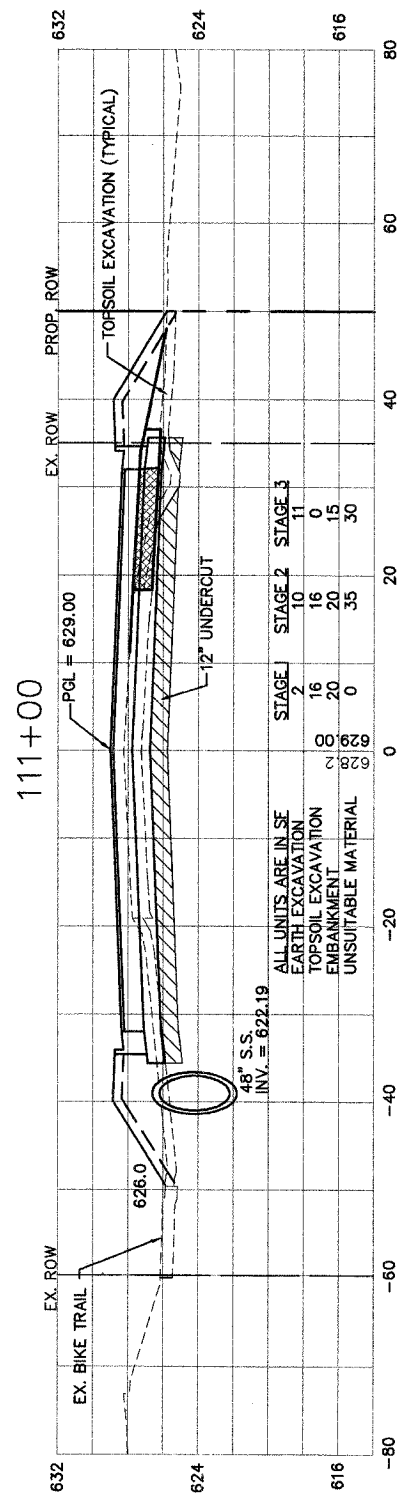
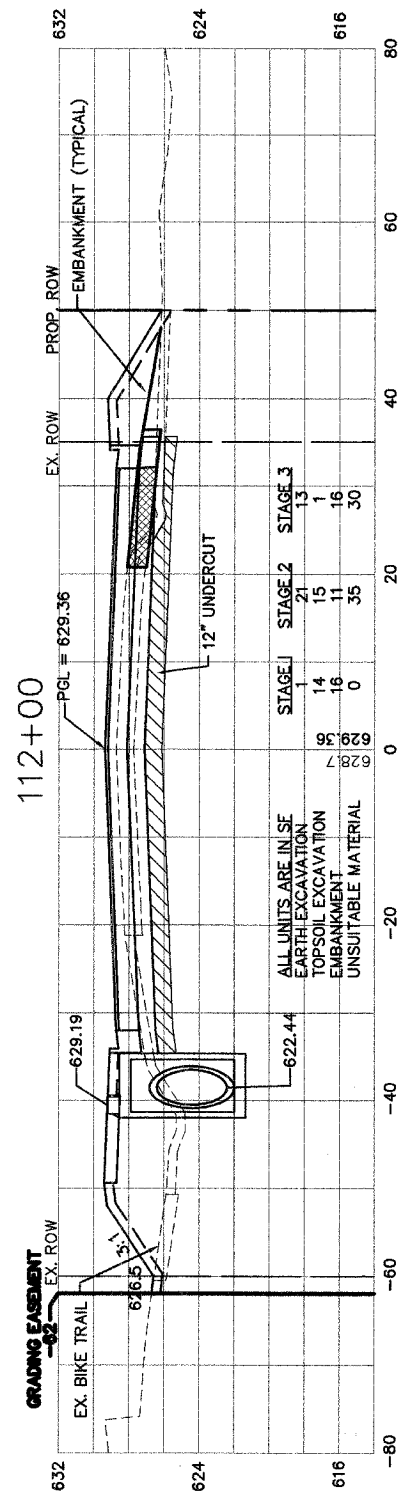
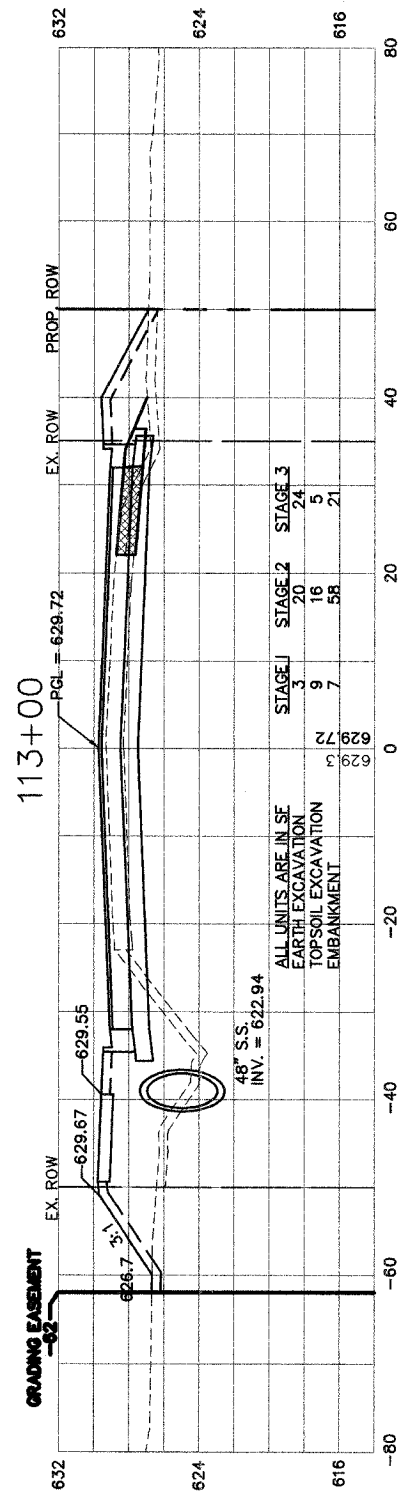
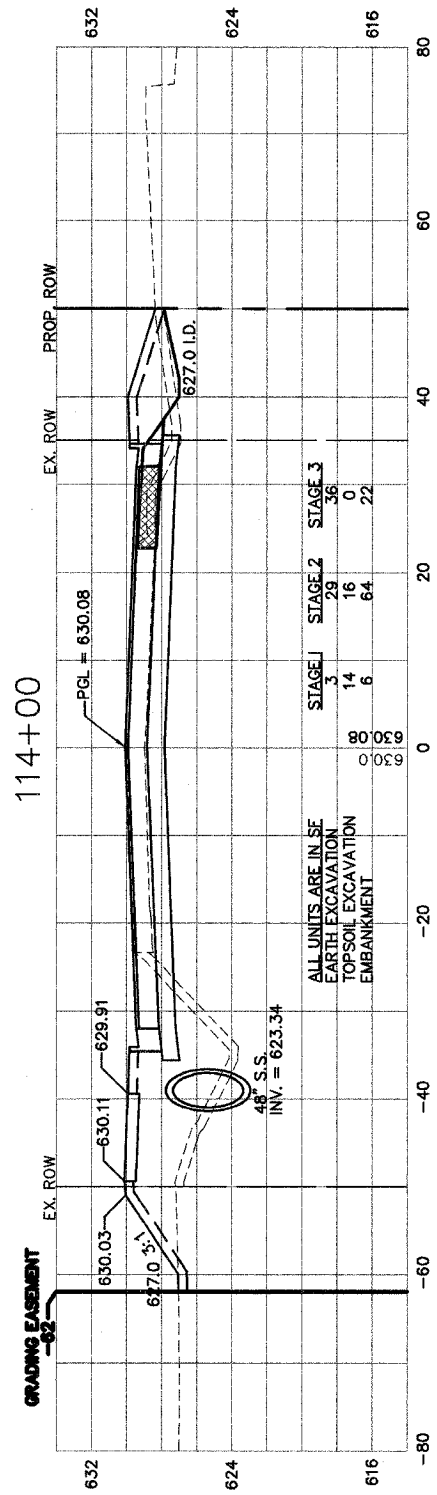
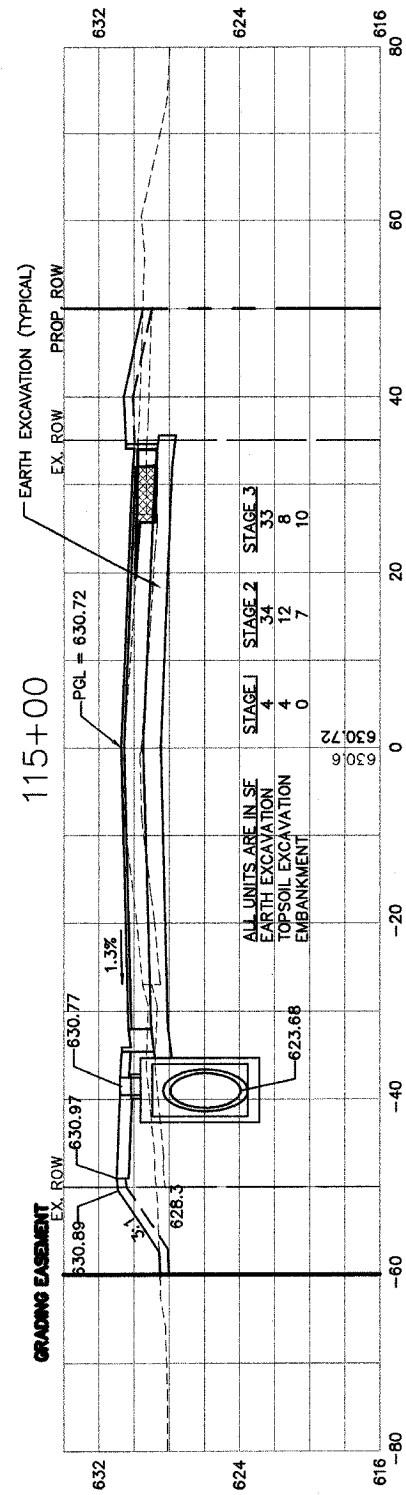


ROUTE NO.	SECTION	COUNTY	TOTAL SHEETS	SHEET NO.
FAU 2545	*	WILL	147	127
FED. AID DIST. NO. 7		BLANKS	FED. AID PROJECT	

* 98-00036-19-FP CONTRACT NO. 83896



WILL COUNTY DEPARTMENT OF HIGHWAYS			
PLAINFIELD-NAPERVILLE ROAD (C.H. 14)			
ROADWAY RECONSTRUCTION			
CROSS SECTIONS			
STA 110+00 TO STA 115+00			
DESIGNED BY: RJE		SCALE: HORIZ: 1"=10'	
CHECKED BY: NJL		VERT: 1"=5'	
DRAWN BY: RJE			