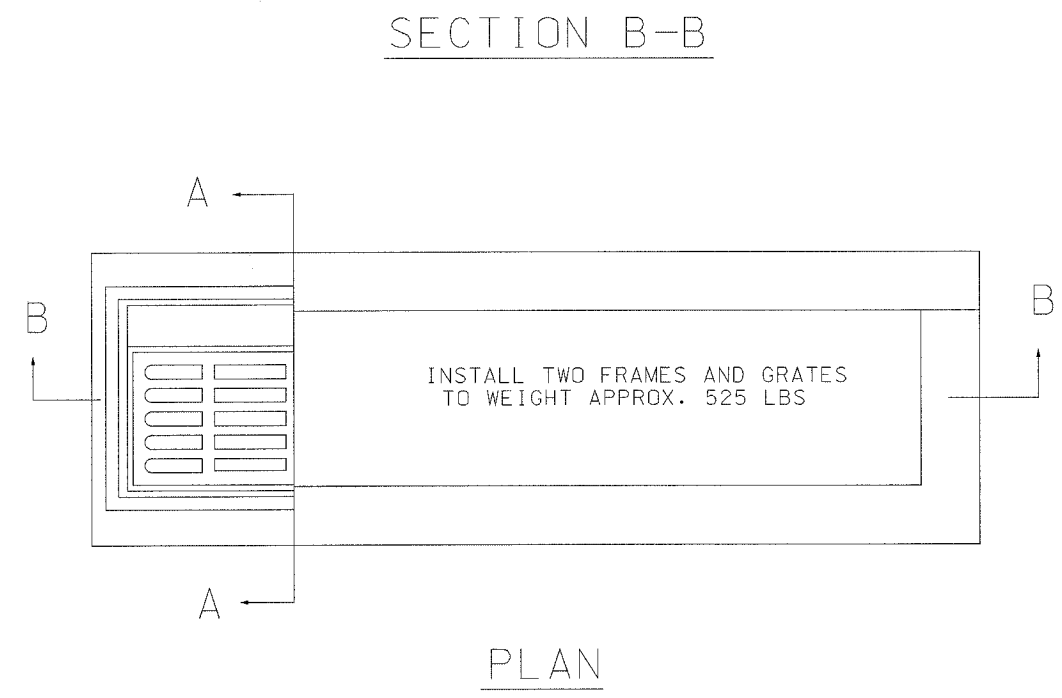
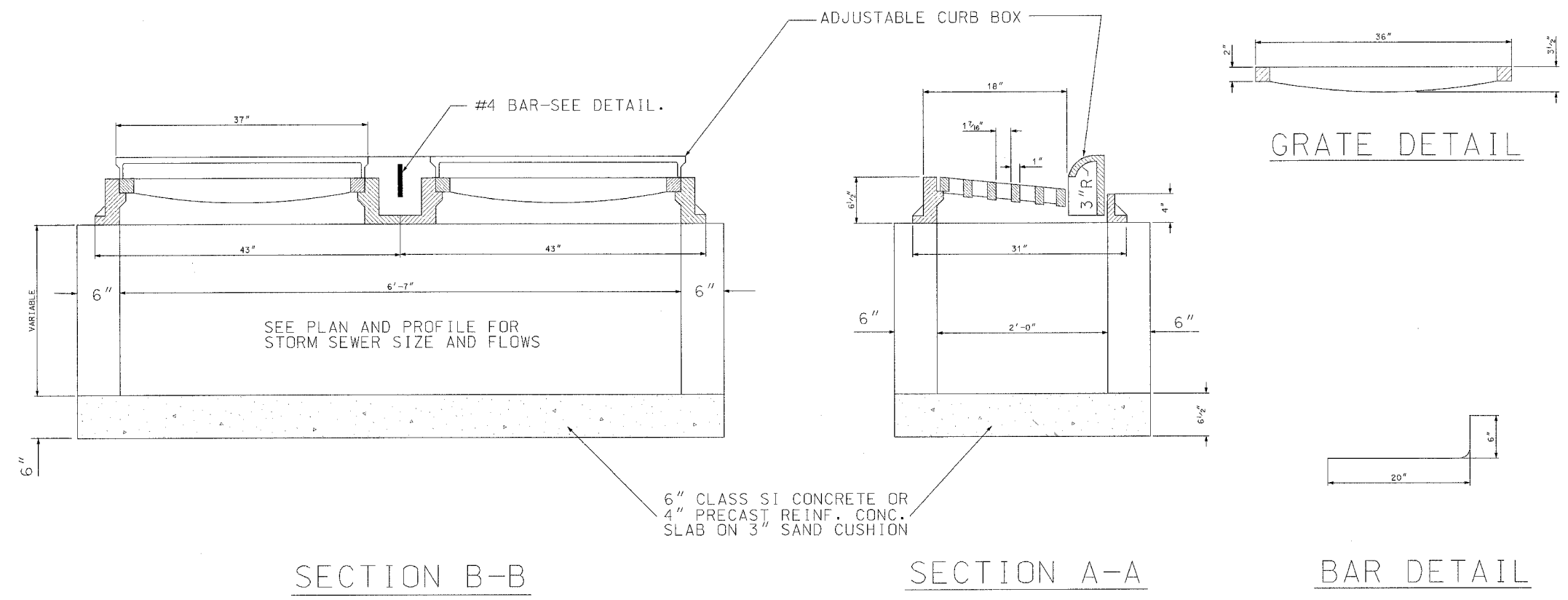


F.A.D. RTEL	SECTION	COUNTY	TOTAL SHEETS	SHEET NO.
5154	24-00343-00-EV	WINNEBAGO	42	42
STA.		TO STA.		
FED. ROAD DIST. NO. ILLINOIS FED. AID PROJECT				

85414

INLETS, SPECIAL



- NOTES:**
- THE INLET SHALL BE CAST IN PLACE OR PRECAST. DOUBLE INLET, SPECIAL WITH FRAME AND GRATE SHALL BE CONSTRUCTED IN ACCORDANCE W/SECTION 602 OF THE STANDARD SPECIFICATIONS.
 - THE CONTRACT UNIT PRICE EACH INLET SPECIAL SHALL INCLUDE THE COST OF FURNISHING AND INSTALLING THE INLET BOX, FRAME AND GRATE, AND FLOOR OR INLET W/SAND CUSHION IF REQUIRED.
 - CLASS SI CONCRETE OR PRECAST CONCRETE SHALL BE USED THROUGHOUT.
 - THE SIDE WALLS MAY BE BUILT AS PRECAST SEGMENTAL SECTIONS.
 - THE HEIGHT OF THE BOX MAY BE CONSTRUCTED 6" SHORT TO ALLOW FOR FIELD ADJUSTMENTS.
 - * THE WALL ADJUSTMENTS SHALL BE MADE W/CONCRETE BUILDING BRICK OR CLASS SI CONCRETE.
 - FRAME AND GRATE TO WEIGH APPROXIMATELY 525 LBS. EACH.

INLETS, SPECIAL

STANDARD: WHA 630

**WILLETT,
HOFMANN &
ASSOCIATES, INC.**
CONSULTING ENGINEERS

Land Surveying - Transportation - Structural
Environmental - Architecture

809 East Second Street Dixon, Illinois 61021
Phone 815.284.3381 Fax 815.284.3385
Design Firm #184-000918
www.willetthofmann.com