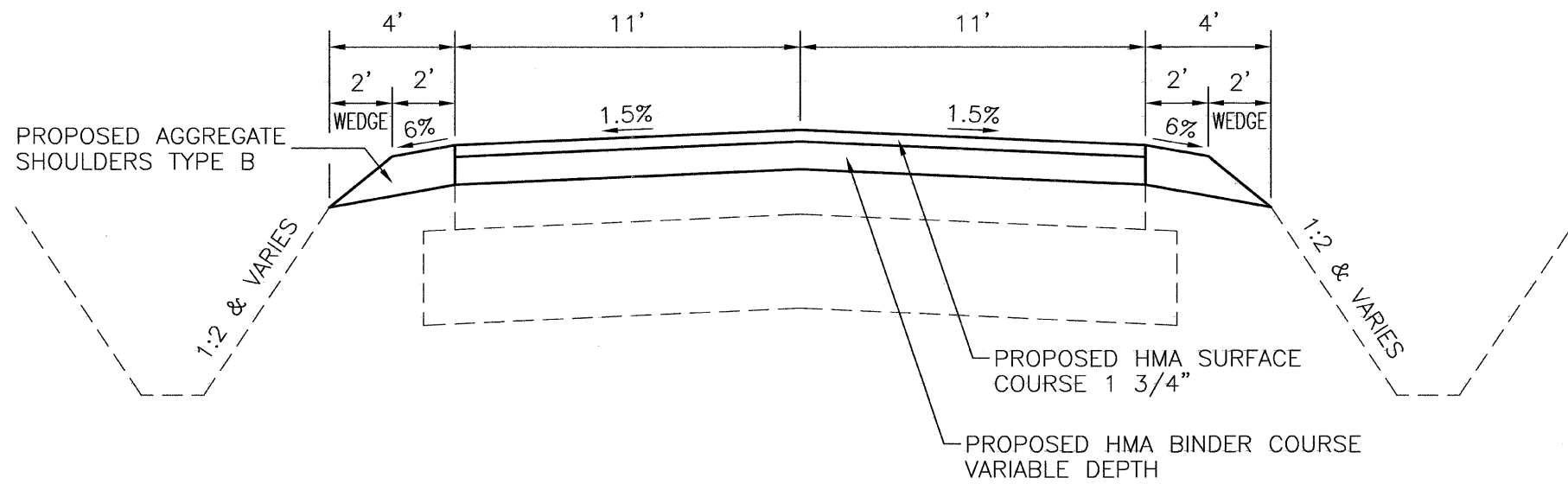


PROPOSED TYPICAL SECTION

STA. 184+05 TO STA. 316+56.5

NOTE: STATION EQUATIONS

- STA. 319+17.50 (BK) = STA. 291+61.00 (AH)
- STA. 359+98.77 (BK) = STA. 359+99.80 (AH)
- STA. 461+16 (BK) = STA. 110+00 (AH)



PROPOSED TYPICAL SECTION

STA. 316+56.5 TO STA. 318+47.5
STA. 292+31 TO STA. 294+00

Drawn: 04/07/07, L.A.G. (L.A.G.)
 Checked: 04/07/07, D.J.D. (D.J.D.)
 Date: 04/07/07, 04/07/07
 File: 6813.00Y-1

DRAWN BY: L.A.G.	CAD/.DWG: TYPX	REVISIONS		 PERU MORRIS ILLINOIS	C.H. 33 (ANGLING ROAD) 2007 SECTION 05-00198-00-RS	TYPICAL SECTIONS	SCALE: NONE	SHEET 8
		DATE	BY				FILE NO.: 6813.00Y-1	OF 33
CHECKED BY: D.J.D.	DATE: 04/07							