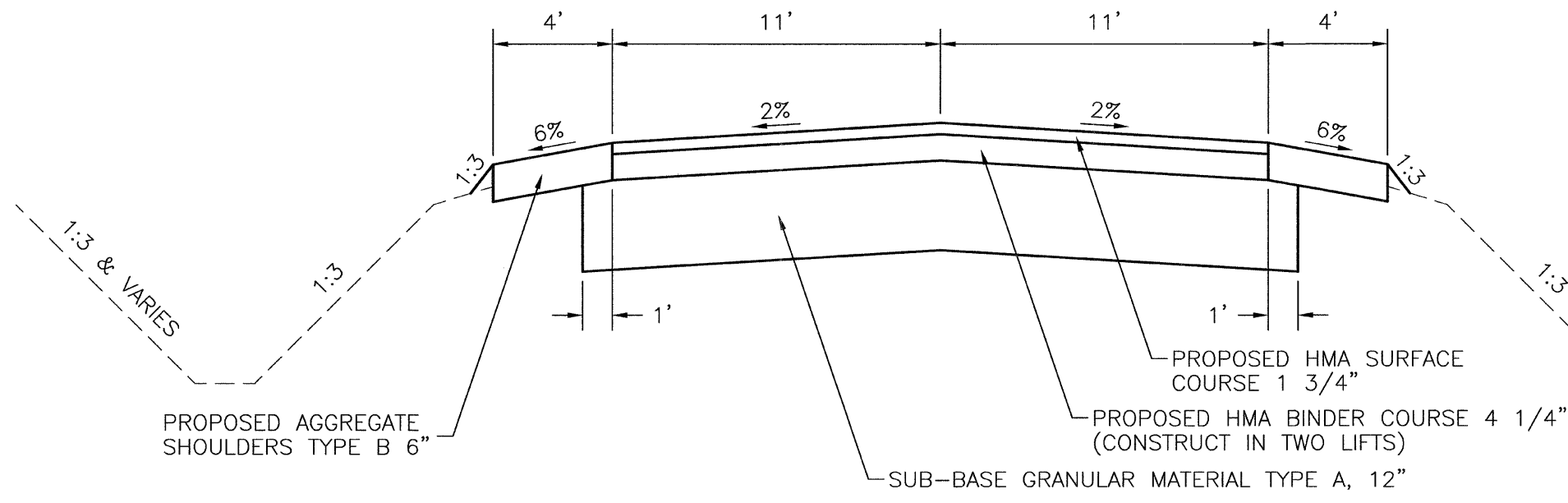


* NOTE:
 SUPERELEVATION TRANSITION FROM
 STA. 353+71.13 TO STA. 355+36.13
 AND STA. 359+57.52 TO STA. 361+23.55
 (SEE SUPERELEVATION TRANSITION DETAILS)

PROPOSED TYPICAL SECTION

**STA. 358+73.97 TO STA. 359+98.77 (BK)*
 359+99.80 (AH)**



PROPOSED TYPICAL SECTION

**STA. 359+98.77 (BK) / 359+99.80 (AH) TO STA. 361+76.24
 STA. 361+91.95 TO STA. 363+04.20
 STA. 410+10 TO STA. 410+97**

NOTE: STATION EQUATIONS
 STA. 319+17.50 (BK) = STA. 291+61.00 (AH)
 STA. 359+98.77 (BK) = STA. 359+99.80 (AH)
 STA. 461+16 (BK) = STA. 110+00 (AH)

Project Name: C:\Users\l.l.g.\Desktop\CAD\2007\05-00198-00-RS.dwg, Plot Date: 04/07/2007, 11:01 AM, Plotter: HP DesignJet 500, Plot Scale: 1:1

DRAWN BY: L.A.G.
 CHECKED BY: D.J.D.

CAD/DWG: TYPX
 DATE: 04/07

REVISIONS	
DATE	BY

CHAMBLIN & ASSOCIATES

PERU MORRIS
 ILLINOIS

C.H. 33 (ANGLING ROAD)
 2007
 SECTION 05-00198-00-RS

TYPICAL SECTIONS

SCALE: NONE
 FILE NO.: 6813.00Y-1
 SHEET 10 OF 33