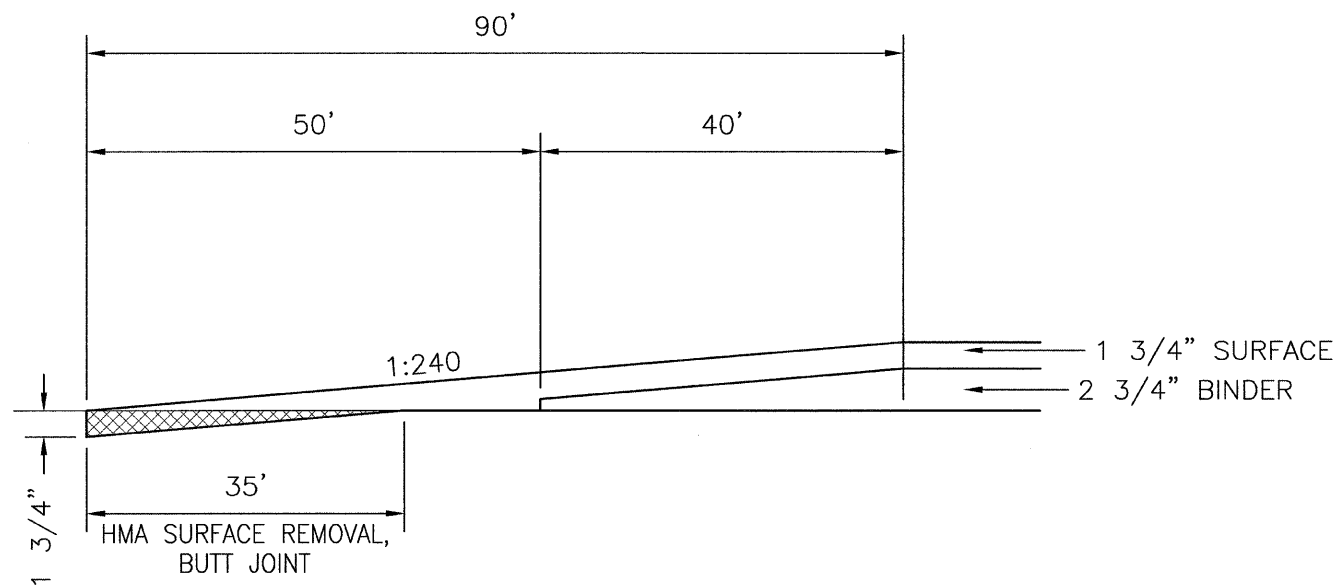


**BASE REPAIR, SPECIAL DETAIL**

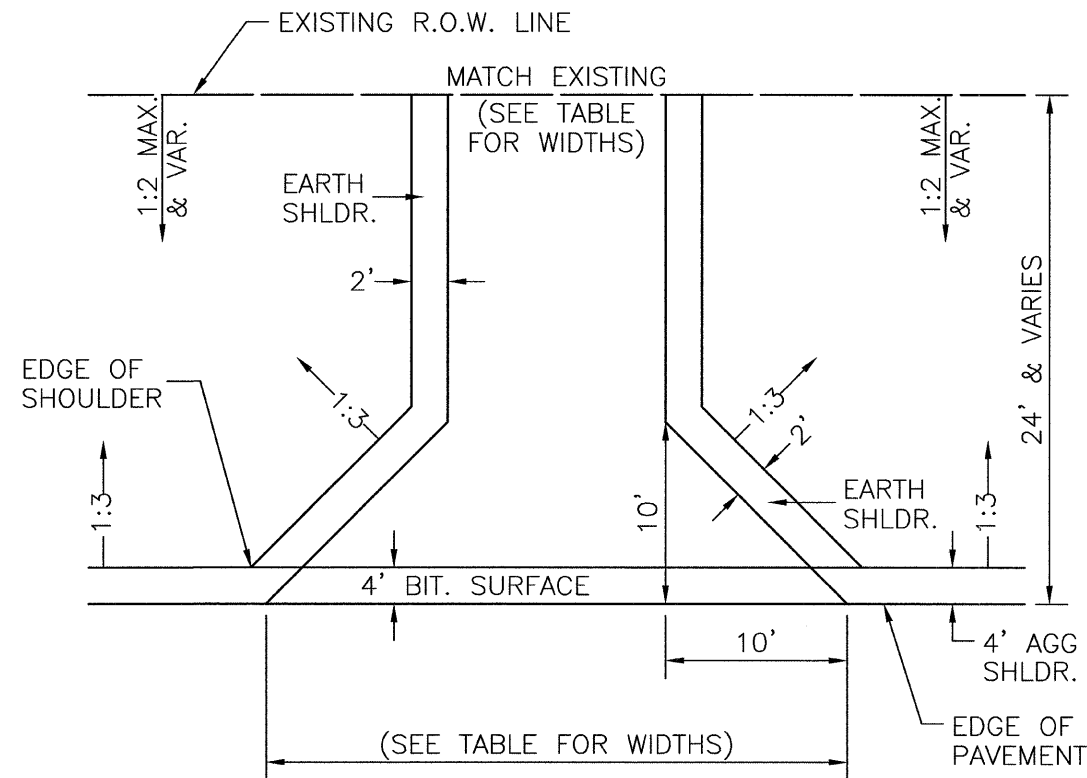


**RUNDOWN DETAIL**

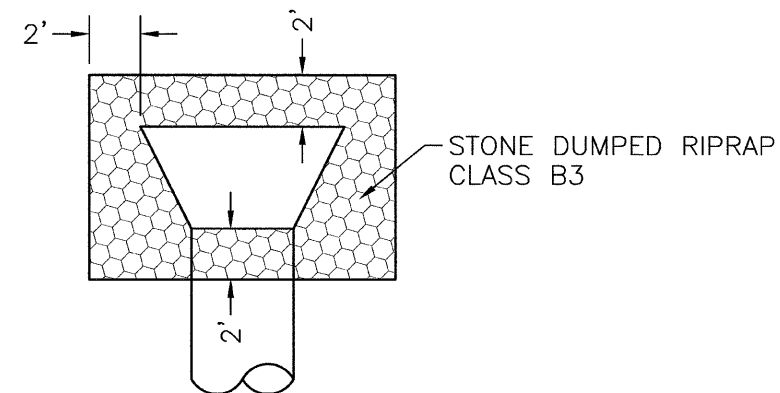
STA. 184+05 TO STA. 184+95  
 STA. 317+57.5 TO STA. 318+47.5  
 STA. 292+31 TO STA. 293+21

CONSTRUCT PRIVATE ENTRANCES WITH 4 1/2" AGGREGATE SURFACE COURSE, TYPE B (CA-6)

CONSTRUCT FIELD ENTRANCES WITH 4 1/2" AGGREGATE SURFACE COURSE, TYPE B (CA-6)



**TYPICAL ENTRANCE (PRIVATE OR FIELD)**



**EMBANKMENT STABILIZATION AT CULVERT EXTENSIONS**

DRAWN BY: L.A.G.  
 CHECKED BY: D.J.D.

CAD./DWG: DETAILS  
 DATE: 04/07

REVISIONS	
DATE	BY

**CHAMLIN ASSOCIATES**

PERU MORRIS ILLINOIS

**C.H. 33 (ANGLING ROAD)**  
 2007  
 SECTION 05-00198-00-RS

DETAILS

SCALE: NONE  
 FILE NO.: 6813.00Y-1

SHEET 20  
 OF 33