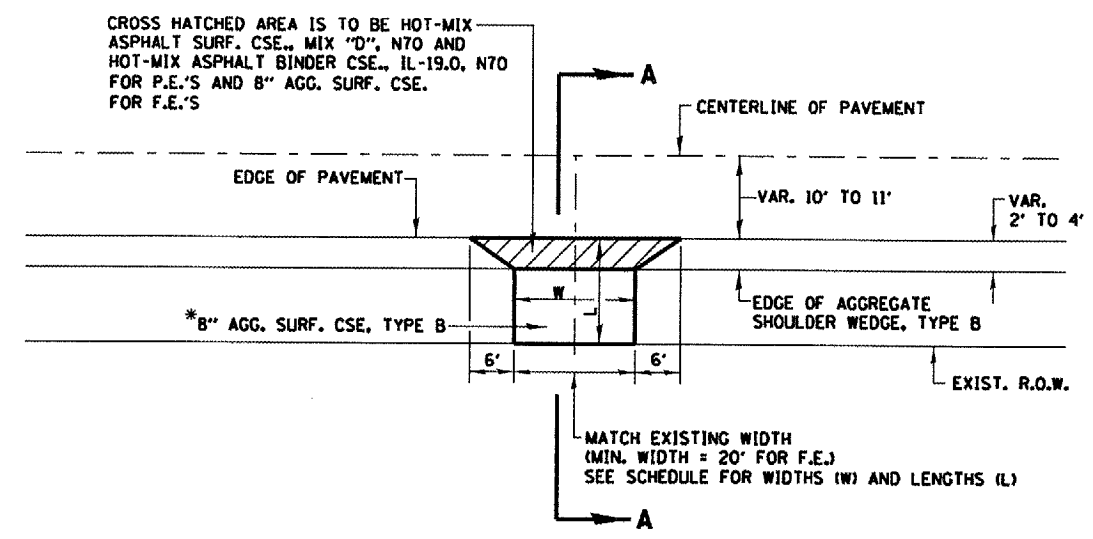
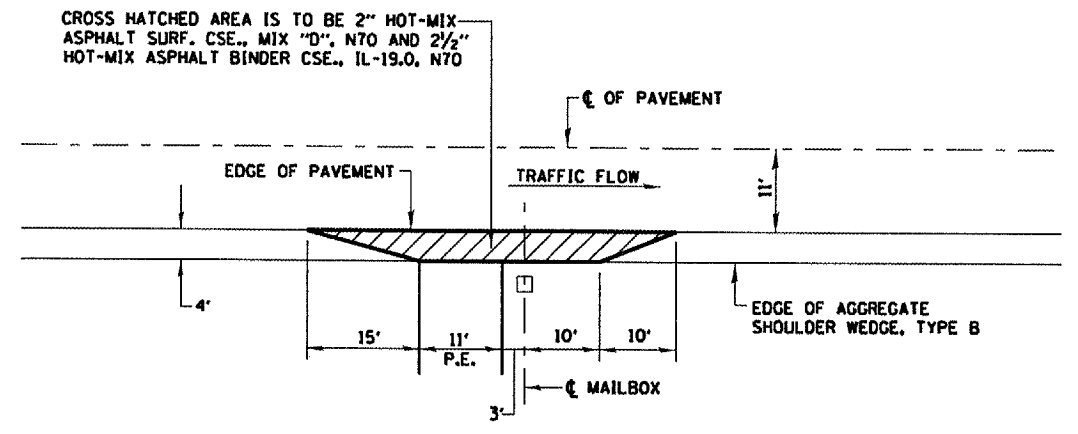


F.A.S. RTE.	SECTION	COUNTY	TOTAL SHEETS	SHEET NO.
418	04-00069-00-R5	HENDERSON	15	11
STA.		TO STA.		
FED. ROAD DIST. NO.	ILLINOIS	FED. AID PROJECT		
CONTRACT NO. 89366				



\* P.E. LT STATION 53+85.12 - 6" AGG. BSE CSE, TYPE B WITH 2" HOT-MIX ASPHALT SURF. CSE., MIX "D", N70 (AGG. BSE. CSE., TYPE B SHALL BE PAID FOR AS AGG. SURF. CSE., TYPE B)

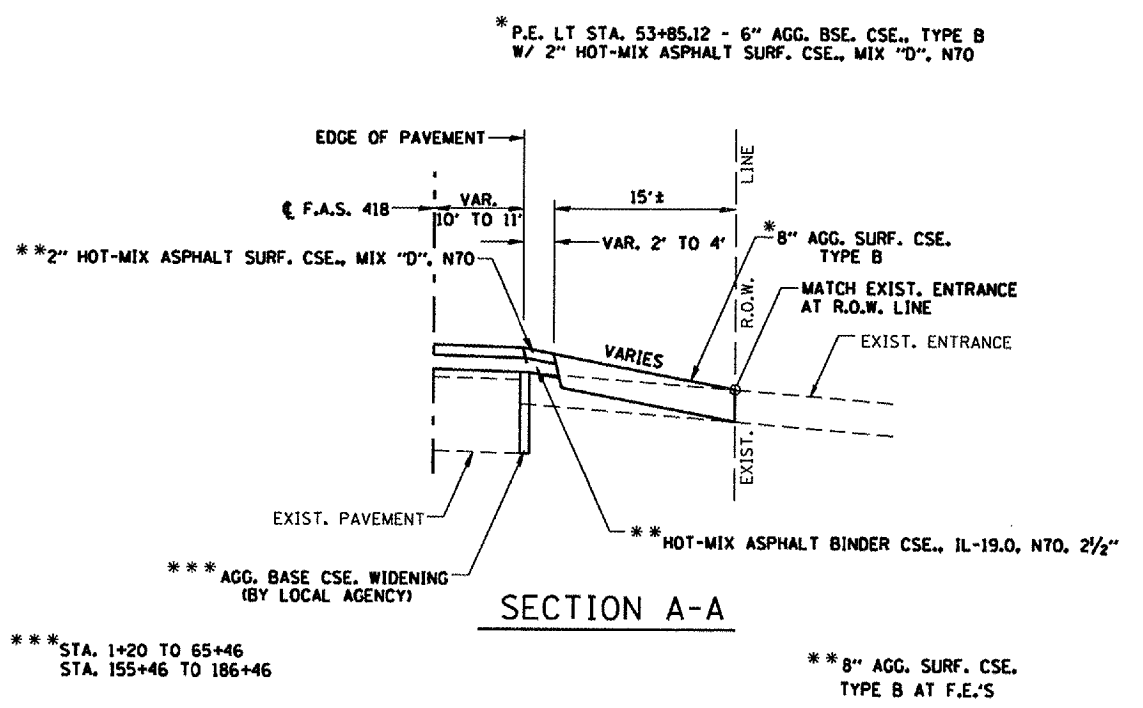
**TYPICAL PLAN DETAIL OF PRIVATE AND FIELD ENTRANCES**



NOTE: MAILBOXES SHALL BE MOUNTED SUCH THAT THE FACE OF THE MAILBOX IS 6" TO 12" AND THE POST A MINIMUM OF 24" FROM THE EDGE OF THE TURNOUT SURFACING.

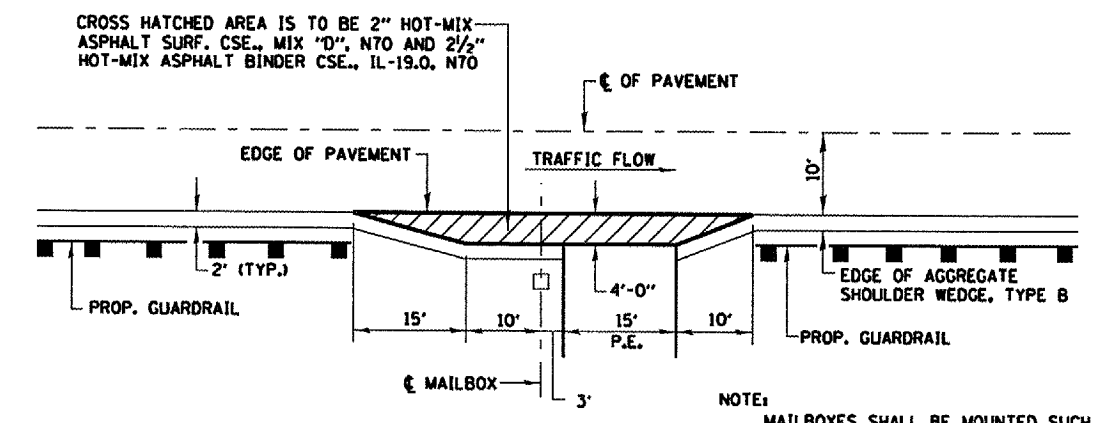
**TYPICAL PLAN DETAIL OF MAILBOX TURNOUT**

P.E. RT. STA. 53+85.12



\*\*\* STA. 1+20 TO 65+46  
STA. 155+46 TO 186+46

**TYPICAL DETAIL OF PRIVATE AND FIELD ENTRANCES**



NOTE: MAILBOXES SHALL BE MOUNTED SUCH THAT THE FACE OF THE MAILBOX IS 6" TO 12" AND THE POST A MINIMUM OF 24" FROM THE EDGE OF THE TURNOUT SURFACING.

**TYPICAL PLAN DETAIL OF MAILBOX TURNOUT**

P.E. RT. STA. 147+50.38

REVISIONS	
NAME	DATE

ILLINOIS DEPARTMENT OF TRANSPORTATION  
F.A.S. 418 (VANTINE ROAD)

**ENTRANCE & MAILBOX TURNOUT  
DETAILS**

SCALE: N/A  
DATE: 1-5-07  
DRAWN BY: CGF  
CHECKED BY: JJM